

PC760/780

PARTS CATALOG

REVISION 0

PC760
〔 220V 50Hz F13-1744 TQA00001- 〕

PC780
〔 220V 50Hz F13-1844 TRA00001- 〕

Canon

JULY 1997

FY8-31D8-000

PREFACE

This Parts Catalog contains listings of parts used in the PC760/780. Diagrams are provided with the listings to aid the service technician in identifying clearly, the item to be ordered.

Whenever ordering parts, consult this Parts Catalog for all of the information pertaining to each item. Be sure to include, in the Parts Request, the full item description, the item part number and the quantity.

Canon Inc.

Office Imaging Products Technical Support Dept.1
Office Imaging Products Technical Support Div.
5-1, Hakusan 7-chome,
Toride-shi, Ibaraki 302, Japan

COPYRIGHT © 1997 CANON INC.

Printed in Japan
Imprimé au Japon

CONTENTS

- A. ASSEMBLY LOCATION DIAGRAM
 - 100. EXTERNAL COVERS, PANELS, ETC.
 - 101. UPPER MAIN BODY
 - 102. LOWER MAIN BODY
 - 130. CONTROL PANEL ASSEMBLY
 - 160. COPYBOARD COVER ASSEMBLY

 - 220. SCANNER DRIVE ASSEMBLY
 - 230. MAIN DRIVE ASSEMBLY
 - 240. DELIVERY DRIVE ASSEMBLY
 - 250. PAPER PICK-UP DRIVE ASSEMBLY (PC780)
 - 251. PAPER PICK-UP DRIVE ASSEMBLY (PC760)

 - 300. CASSETTE
 - 340. PAPER PICK-UP ROLLER ASSEMBLY (CASSETTE)

 - 400. MIRROR ASSEMBLY 1
 - 401. MIRROR ASSEMBLY 2
 - 402. ZOOM MIRROR ASSEMBLY
 - 450. BLANK EXPOSURE LAMP ASSEMBLY

 - 530. TRANSFER ASSEMBLY

 - 810. FIXING ASSEMBLY
 - 811. FIXING FILM REPLACEMENT KIT

 - 910. DC POWER SUPPLY ASSEMBLY
 - 915. CONTROL PANEL PCB ASSEMBLY
 - 930. DC CONTROL PCB ASSEMBLY
 - 940. NOISE FILTER PCB ASSEMBLY
- B. LIST OF CONNECTORS
- C. LIST OF STANDARD FASTENERS
- D. NUMERICAL INDEX

FIGURE A ASSEMBLY LOCATION DIAGRAM(1/2)

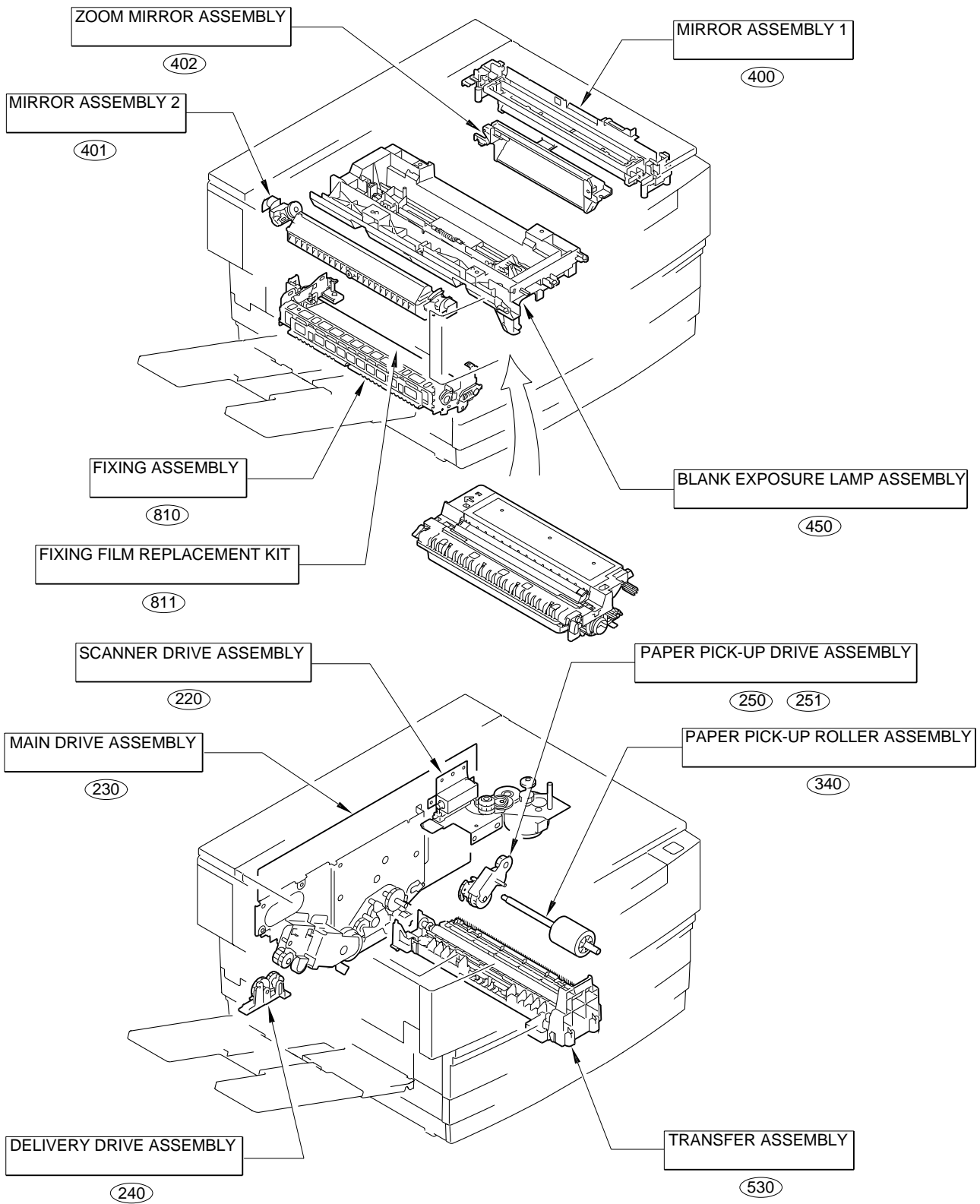


FIGURE A ASSEMBLY LOCATION DIAGRAM(2/2)

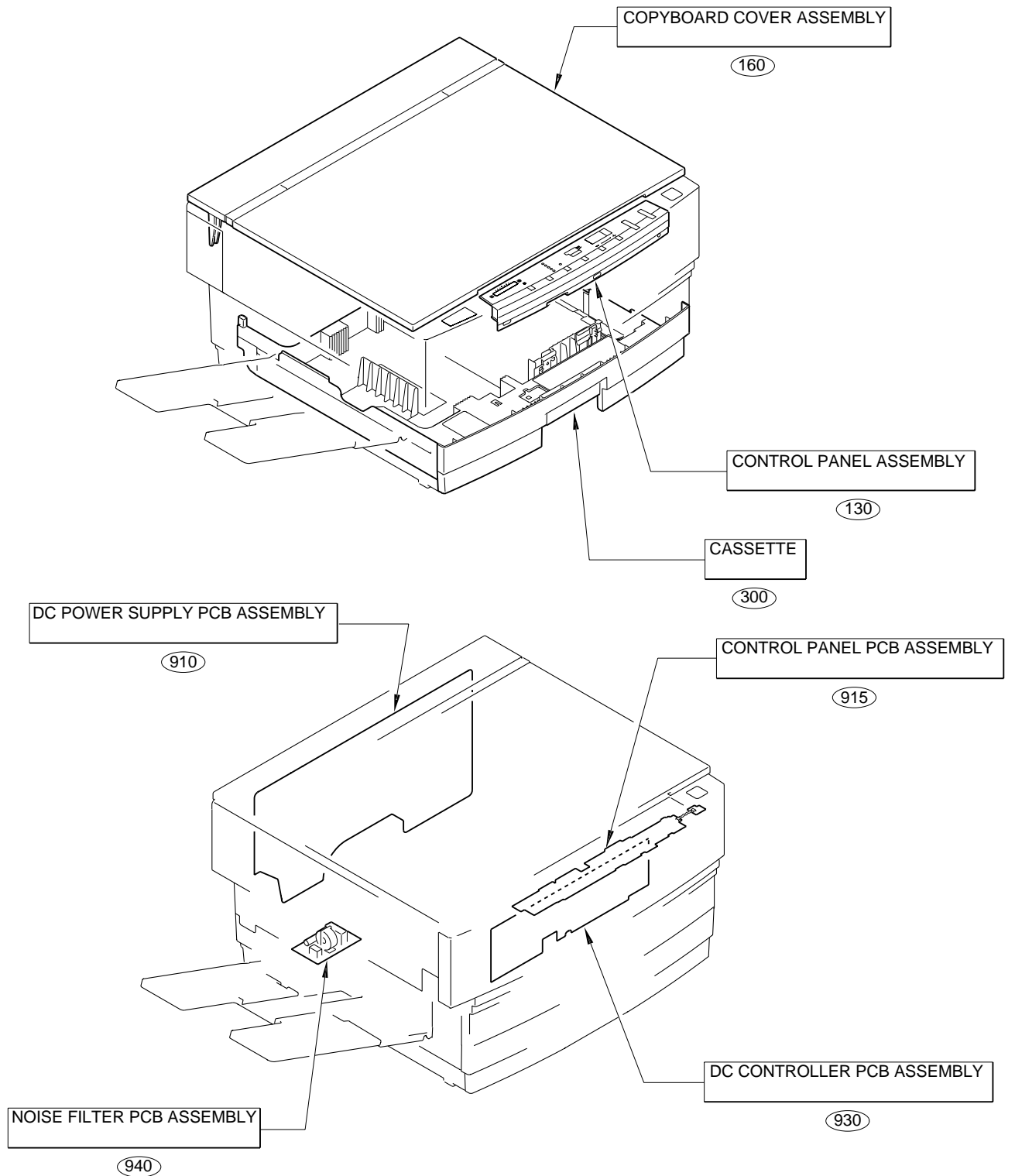


FIGURE 100 EXTERNAL COVERS, PANELS, ETC.

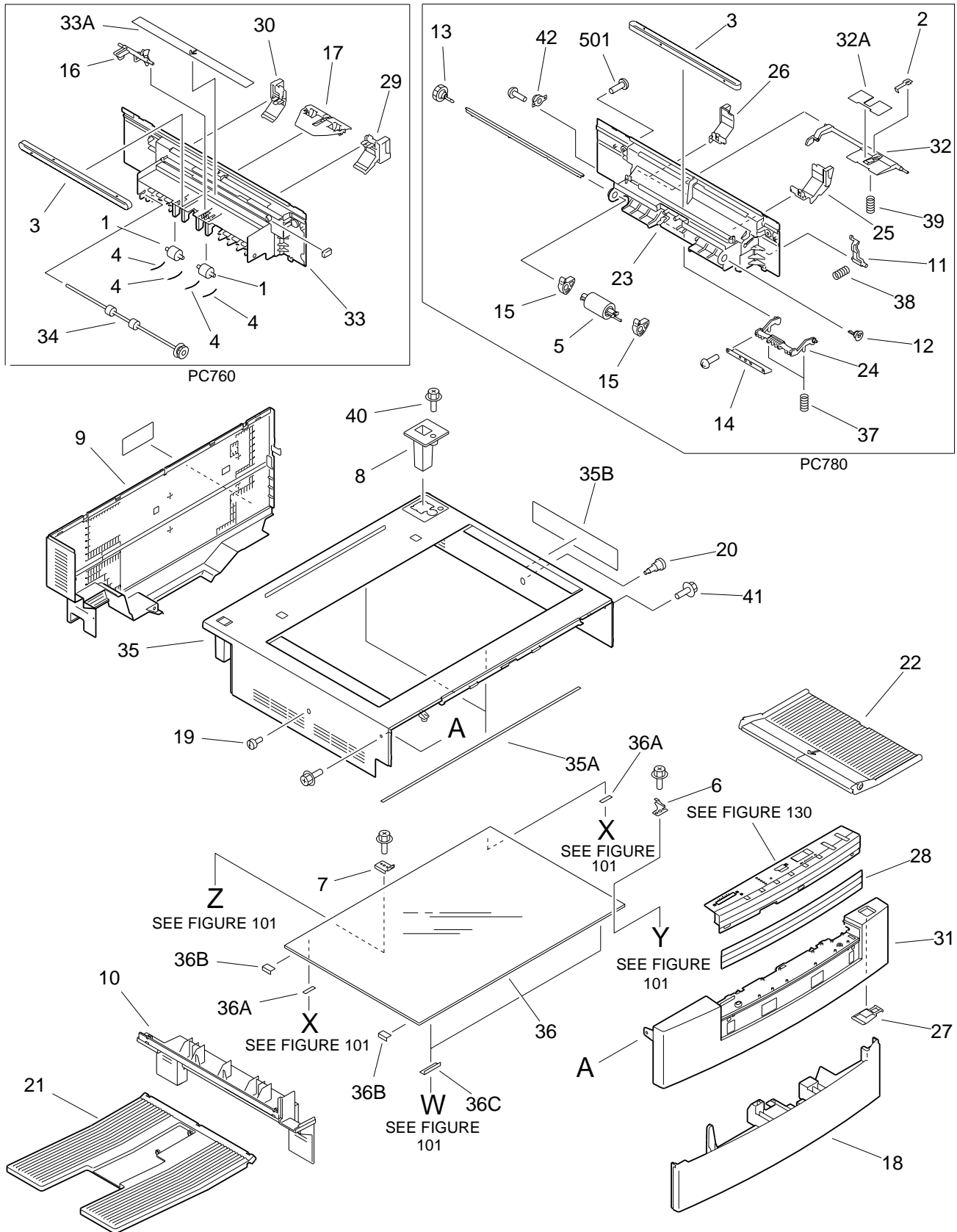


FIGURE & KEY NO.	PART NUMBER	RANK	QTY	DESCRIPTION	SERIAL NUMBER / REMARKS
100 -	NPN		RF	EXTERNAL CIVERS, PANELS, ETC.	
1	FB1 - 0624 - 000		2	ROLLER, PAPER PICK-UP	PC760
2	FB1 - 7283 - 000		1	SPRING, LEAF	PC780
3	FB1 - 7403 - 000		1	FILM, SLIDE	
4	FB1 - 8835 - 000		4	SPRING, WIRE	PC760
5	FB1 - 9766 - 000		1	ROLLER, PICK-UP	PC780
6	FB2 - 4606 - 000		1	RETAINER, GLASS, 1	
7	FB2 - 4607 - 000		1	RETAINER, GLASS, 2	
8	FB2 - 4785 - 000		1	SUPPORT, COPYBOARD	
9	FB2 - 5054 - 000		1	PANEL, REAR	
10	FB2 - 5055 - 000		1	PANEL, LEFT	
11	FB2 - 5213 - 000		1	LEVER, TRAY	PC780
12	FB2 - 5214 - 020		1	HOLDER, PICK-UP SHAFT	PC780
13	FB2 - 5215 - 020		1	GEAR, 26T	PC780
14	FB2 - 5216 - 000		1	PLATE	PC780
15	FB2 - 5217 - 000		2	ROLLER	PC780
16	FB2 - 5240 - 020		1	ARM, SENSOR	PC760
17	FB2 - 5245 - 000		1	GUIDE, PAPER PICK-UP LOWER	PC760
18	FB2 - 5427 - 020		1	COVER, LOWER, FRONT	
19	FB2 - 5500 - 000		1	SCREW, M4X12	
20	FB2 - 5502 - 000		1	SCREW, STEPPED	
21	FB4 - 1088 - 00S		1	TRAY, PAPER DELIVERY	
22	FB4 - 1096 - 00S		1	TRAY, PAPER PICK-UP	
23	FB4 - 1097 - 00S		1	PANEL, RIGHT	PC780
24	FB4 - 1109 - 00S		1	FLAPPER, SEPARATING	PC780
25	FB4 - 1195 - 00S		1	PLATE, PAPER STOP END, FRONT	PC780
26	FB4 - 1196 - 00S		1	PLATE, PAPER STOP END, REAR	PC780
27	FB4 - 1197 - 00S		1	KEY TOP, MAIN SWITCH	
28	FB4 - 1251 - 00S		1	SUB COVER, CONTROL PANEL	
29	FB4 - 1260 - 00S		1	GUIDE, SIDE, FRONT	PC760

FIGURE & KEY NO.	PART NUMBER	RANK	QTY	DESCRIPTION	SERIAL NUMBER / REMARKS
100 - 30	FB4 - 1261 - 00S		1	GUIDE, SIDE, REAR	PC760
31	FB4 - 1268 - 00S		1	PANEL, UPPER, FRONT	PC760
	FB4 - 1269 - 00S		1	PANEL, UPPER, FRONT	PC780
32	FF5 - 2875 - 000		1	PLATE, PICK-UP	PC780
32 A	FB1 - 7295 - 000		1	SHEET, LIFTER ARM	PC780
33	FF5 - 2892 - 000		1	COVER, RIGHT	PC760
33 A	FB2 - 5247 - 000		1	LABEL, SIZE	PC760
34	FF5 - 2893 - 000		1	ROLLER, SLIP	PC760
35	FF5 - 3718 - 040		1	COVER, TOP	
35 A	FB2 - 4790 - 020		2	SHEET, GLASS	
35 B	FB2 - 5507 - 000		1	LABEL, "WARNING, RIGHT PLATE"	
36	FF5 - 3728 - 000		1	GLASS, COPYBOARD	
36 A	FB2 - 4791 - 000		2	SHEET, GLASS PROTECTIVE	
36 B	FB2 - 4793 - 000		2	SHEET, GLASS PROTECTIVE	
36 C	FB2 - 4794 - 000		2	SHEET, GLASS PROTECTIVE	
37	FS5 - 2769 - 000		2	SPRING, COMPRESSION	PC780
38	FS5 - 2770 - 000		1	SPRING, COMPRESSION	PC780
39	FS5 - 2776 - 000		1	SPRING, COMPRESSION	PC780
40	XA9 - 0760 - 000		AR	SCREW,RS,M3X6	
41	XA9 - 0762 - 000		3	SCREW,RS,M3X8	
42	XH9 - 0084 - 000		1	DAMPER UNIT	PC780
501	XB4 - 7401 - 009		5	SCREW,TAPPING,TRUSS HEAD,M4X10	

FIGURE 101 UPPER MAIN BODY(1/2)

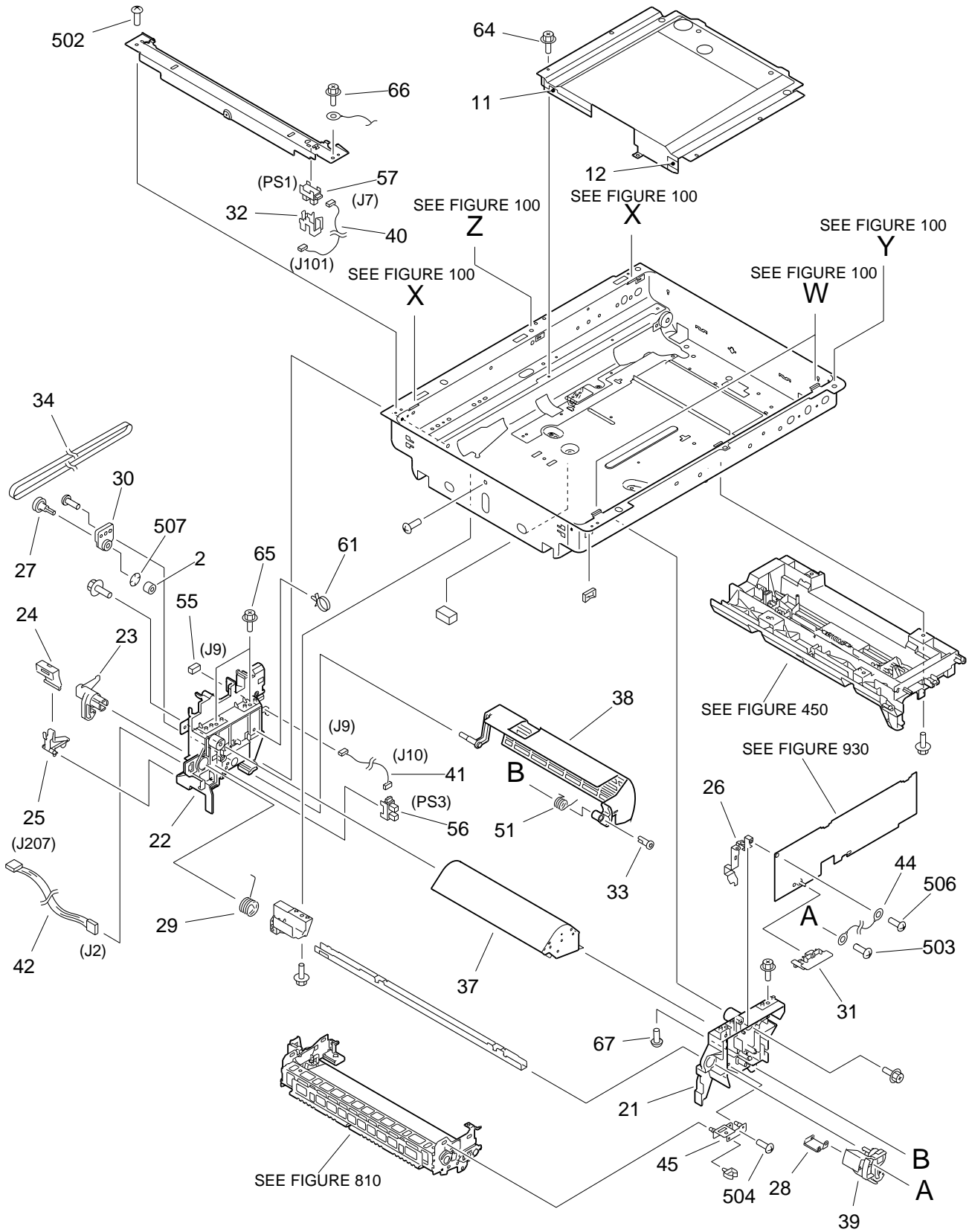


FIGURE 101 UPPER MAIN BODY(2/2)

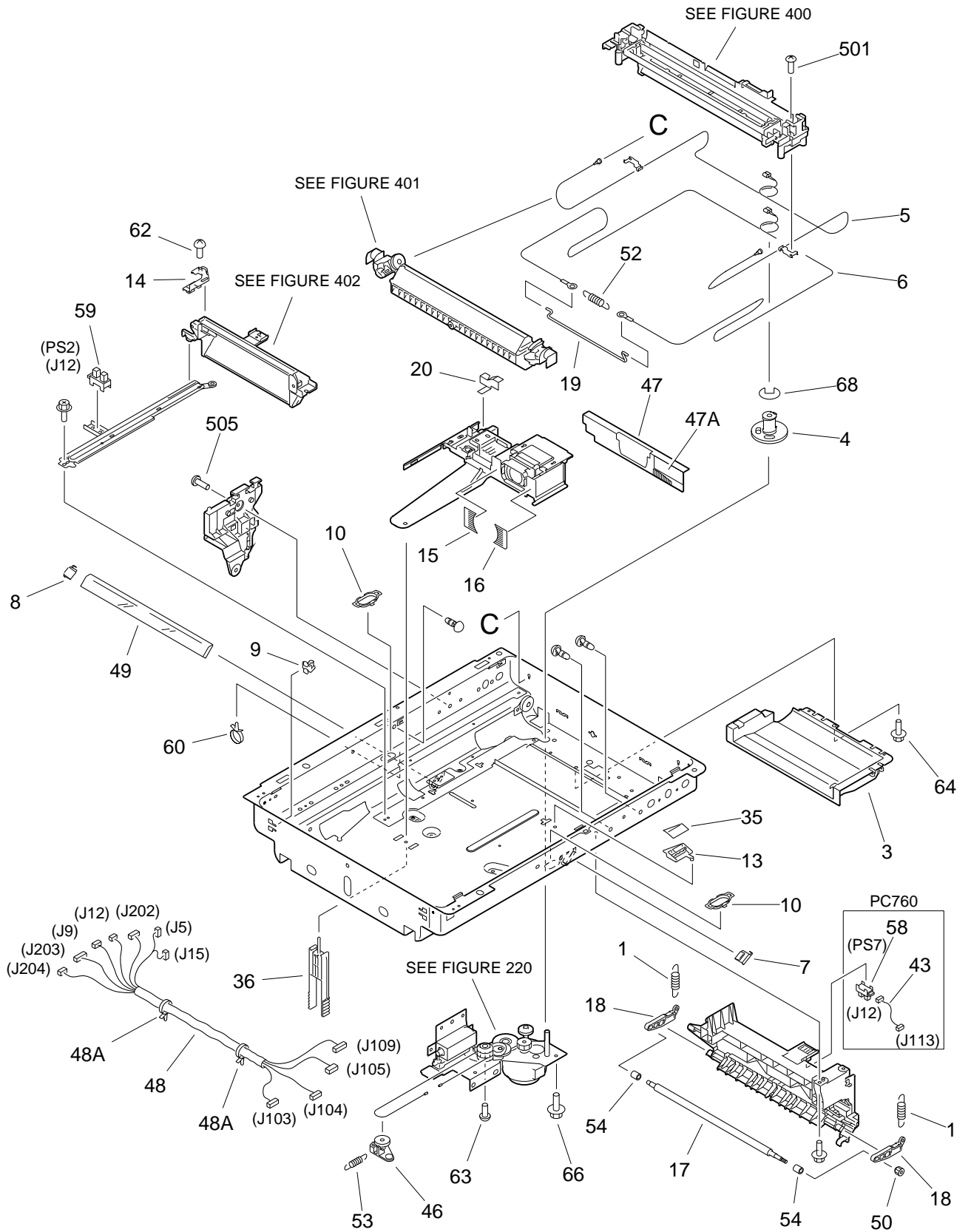


FIGURE & KEY NO.	PART NUMBER	RANK	QTY	DESCRIPTION	SERIAL NUMBER / REMARKS
101 -	NPN		RF	UPPER MAIN BODY	
1	FA9 - 3066 - 000		2	SPRING, TENSION	
2	FA9 - 3070 - 000		1	SPACER, FAN PULLEY	
3	FB2 - 4603 - 000		1	PLATE, DUST-PROOF	
4	FB2 - 4610 - 000		1	PULLEY, DRIVE	
5	FB2 - 4611 - 000		1	WIRE, MIRROR DRIVE, 1	
6	FB2 - 4612 - 000		1	WIRE, MIRROR DRIVE, 2	
7	FB2 - 4613 - 000		1	RETAINER, MIRROR, 6, FRONT	
8	FB2 - 4614 - 000		1	RETAINER, MIRROR, 6, REAR	
9	FB2 - 4622 - 020		2	HOLDER, WIRE	
10	FB2 - 4626 - 000		2	CAP, EDGE	
11	FB2 - 4627 - 000		1	SHEET, LIGHT-BLOCKING, 1	
12	FB2 - 4628 - 000		1	SHEET, LIGHT-BLOCKING, 2	
13	FB2 - 4629 - 000		1	HOLDER, LENS	
14	FB2 - 4691 - 000		1	PLATE, LINK	
15	FB2 - 4734 - 000		1	SHEET, 1	
16	FB2 - 4736 - 000		1	SHEET, 2	
17	FB2 - 4771 - 000		1	ROLLER, UPPER REGISTRATION	
18	FB2 - 4773 - 000		2	ARM, REGIST. PRESSURE	
19	FB2 - 4792 - 000		1	HOOK, WIRE STOPPING	
20	FB2 - 4840 - 000		1	SHEET, 7	
21	FB2 - 4866 - 020		1	BLOCK, HOOK, FRONT	
22	FB2 - 4867 - 000		1	BLOCK, HOOK, REAR	
23	FB2 - 4870 - 000		1	HOOK, REAR	
24	FB2 - 4871 - 000		1	LEVER, SWITCH	
25	FB2 - 4872 - 000		1	ACTUATOR	
26	FB2 - 4873 - 000		1	PLATE, GROUNDING	
27	FB2 - 4874 - 000		1	PULLEY, FAN	
28	FB2 - 4875 - 000		1	PLATE, LEVER GROUNDING	
29	FB2 - 4877 - 000		1	SPRING, TORSION	

FIGURE & KEY NO.	PART NUMBER	RANK	QTY	DESCRIPTION	SERIAL NUMBER / REMARKS
101 - 30	FB2 - 4879 - 000		1	HOLDER, FAN PULLEY	
31	FB2 - 4906 - 000		1	KNOB,DENSITY CONTROL	
32	FB2 - 4942 - 000		1	GUIDE, SENSOR	
33	FB2 - 4943 - 000		1	PIN, HOOK	
34	FB2 - 5053 - 000		1	BELT, FAN	
35	FB2 - 5059 - 000		1	SHEET, 6	
36	FB2 - 5501 - 030		1	SCREW, M4X15	
37	FB3 - 0623 - 000		1	FAN, EXHAUST	
38	FB3 - 0736 - 030		1	SHUTTER, FIXING	
39	FB4 - 1194 - 00S		1	HOOK, FRONT	
40	FF2 - 9730 - 000		1	CABLE, HOME POSITION SENSOR	J7,101
41	FF2 - 9732 - 000		1	CABLE, DELIVERY SENSOR	J9,10
42	FF2 - 9760 - 000		1	CABLE, FIXING HEATER	J2,207
43	FF2 - 9787 - 000		1	CABLE, RIGHT RAIL SENSOR	PC760 J12,113
44	FF2 - 9799 - 000		1	CABLE, GROUNDING	
45	FF5 - 2859 - 000		1	HOLDING PLATE, FIXING ASSEMBLY	
46	FF5 - 2867 - 020		1	PULLEY, IDLER	
47	FF5 - 3716 - 000		1	SHEET, 2	
47 A	FB2 - 5058 - 000		1	SHEET, 4	
48	FG5 - 3550 - 000		1	DC CONTROLLER CABLE	
48 A	WT2 - 5041 - 000		2	CLAMP, CABLE	
49	FN5 - 4021 - 000		1	MIRROR, 6	
50	FS5 - 0898 - 000		1	GEAR, 53T	
51	FS5 - 2797 - 000		1	SPRING, TORSION	
52	FS5 - 2802 - 000		1	SPRING, TENSION	
53	FS5 - 2803 - 020		1	SPRING, TENSION	
54	FS5 - 6288 - 000		2	ROLLER	
55	VS1 - 5057 - 003		1	CONNECTOR, SNAP TIGHT	J9
56	WG8 - 5001 - 000		1	PHOTO-INTERRUPTER, TLP1231	PS1 J7
57	WG8 - 5001 - 000		1	PHOTO-INTERRUPTER, TLP1231	PS3 J10

FIGURE & KEY NO.	PART NUMBER	RANK	QTY	DESCRIPTION	SERIAL NUMBER / REMARKS
101 - 58	WG8 - 5001 - 000		1	PHOTO-INTERRUPTER, TLP1231	PC760 PS7 J12 PS2 J12
59	WG8 - 5187 - 000		1	PHOTO-INTERRUPTER	
60	WT2 - 5041 - 000		1	CLAMP, CABLE	
61	WT2 - 5041 - 000		2	CLAMP, CABLE	
62	XA9 - 0187 - 000		2	SCREW,M3X6	
63	XA9 - 0650 - 000		1	SCREW,M3X6	
64	XA9 - 0760 - 000		15	SCREW,RS,M3X6	
65	XA9 - 0762 - 000		3	SCREW,RS,M3X8	
66	XA9 - 0794 - 000		4	SCREW,RS,M3X6	
67	XA9 - 0813 - 000		1	SCREW,RS,M3X8	
68	XD9 - 0136 - 000		1	RING,E	
501	XB1 - 2300 - 609		3	SCREW,MACH.,TRUSS HEAD,M3X6	
502	XB2 - 7300 - 607		3	SCREW,W/WASHER,M3X6	
503	XB4 - 7300 - 609		1	SCREW,TAPPING,TRUSS HEAD,M3X6	
504	XB4 - 7300 - 609		1	SCREW,TAPPING,TRUSS HEAD,M3X6	
505	XB4 - 7300 - 809		3	SCREW,TAPPING,TRUSS HEAD,M3X8	
506	XB4 - 7300 - 809		1	SCREW,TAPPING,TRUSS HEAD,M3X8	
507	XD2 - 2300 - 502		1	RING,TOOTHED LOCK	

FIGURE 102 LOWER MAIN BODY(1/2)

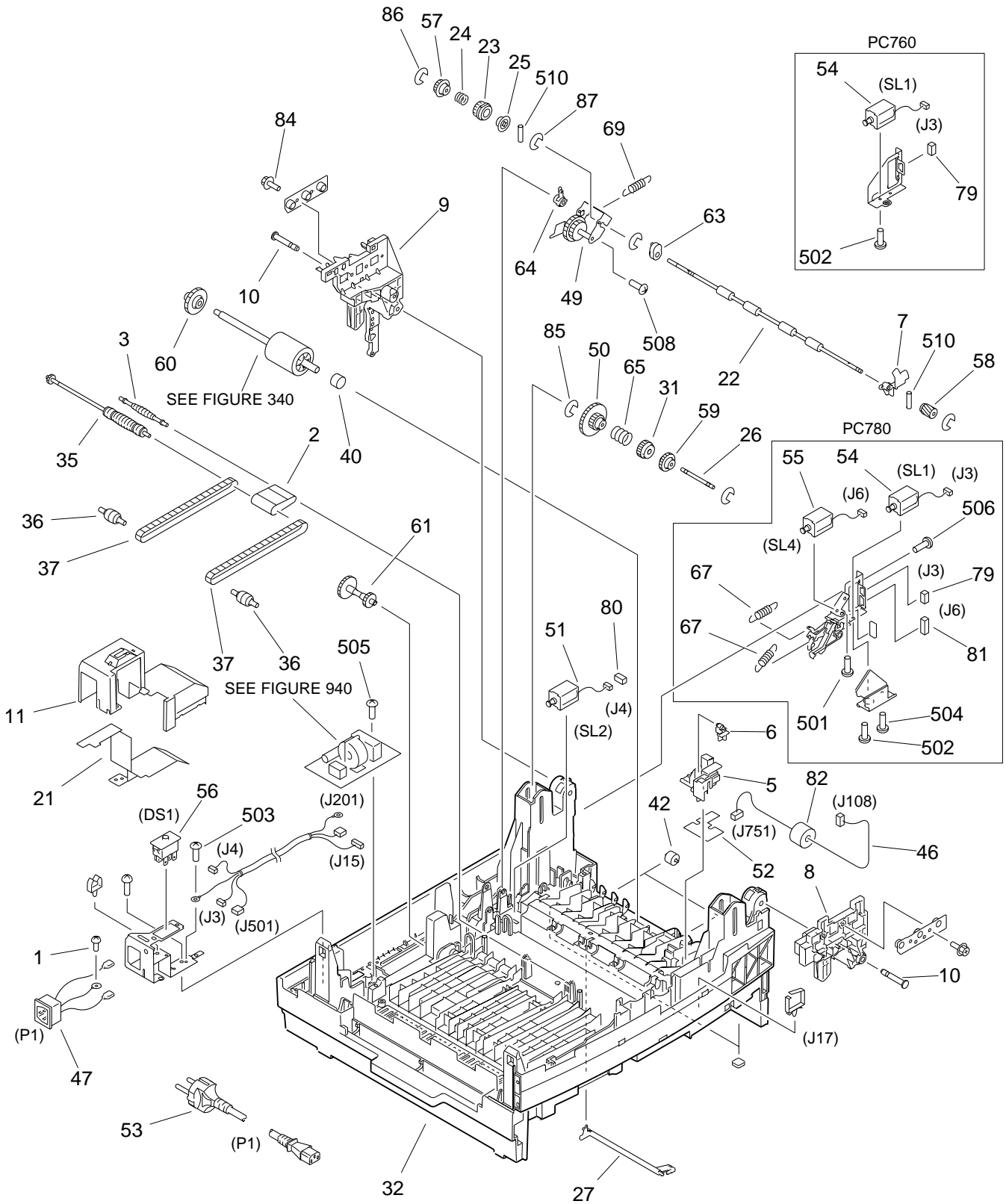


FIGURE 102 LOWER MAIN BODY(2/2)

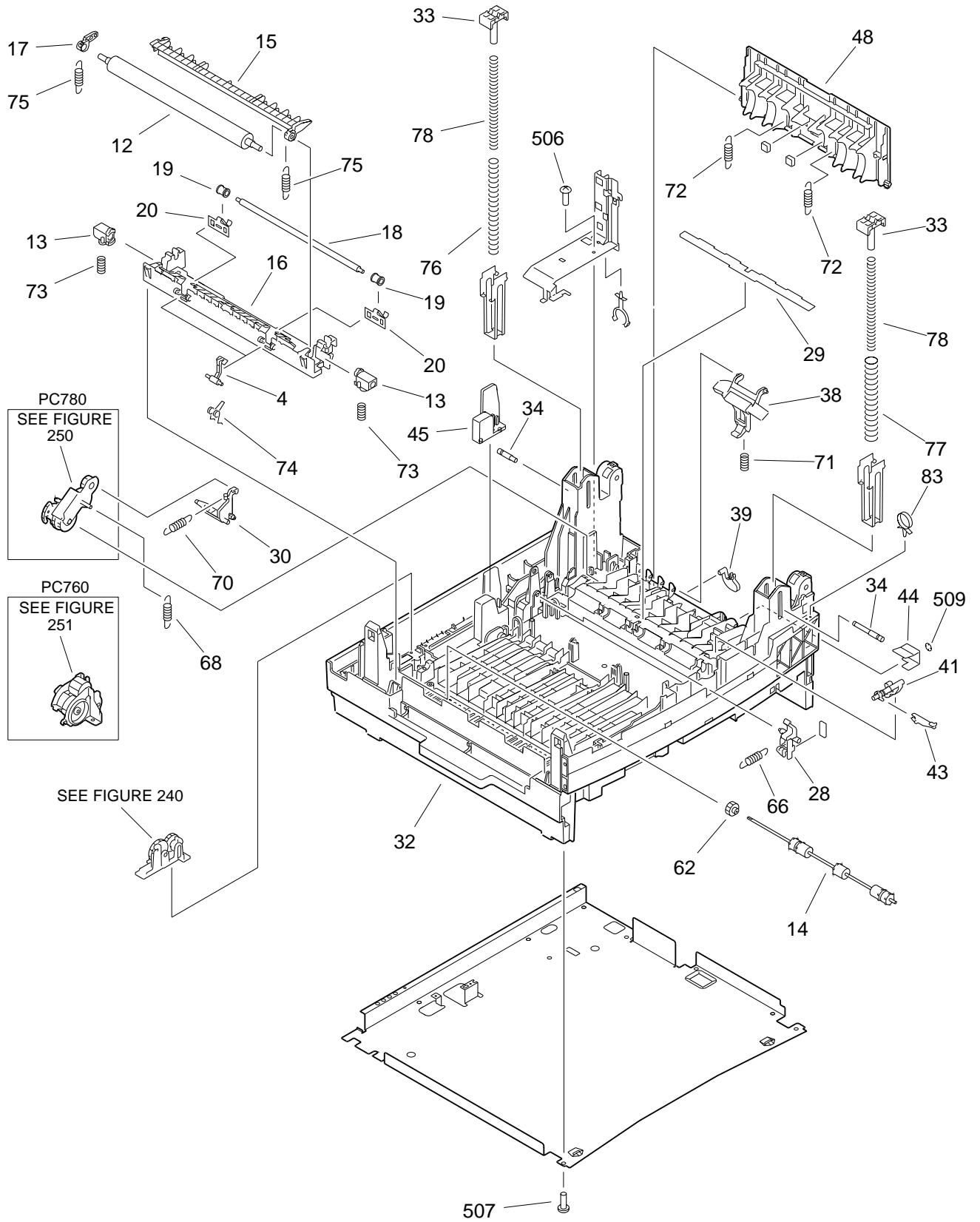


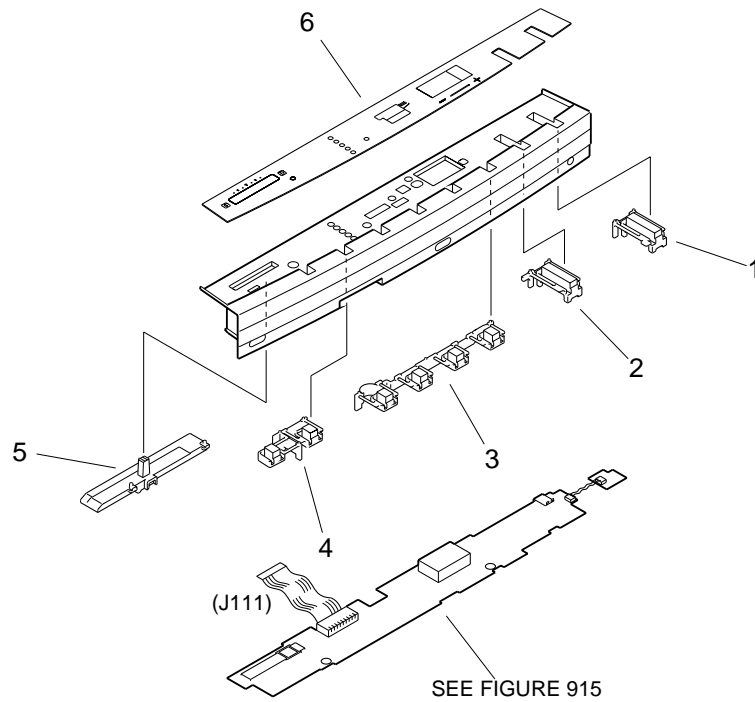
FIGURE & KEY NO.	PART NUMBER	RANK	QTY	DESCRIPTION	SERIAL NUMBER / REMARKS
102 -	NPN		RF	LOWER MAIN BODY	
1	FA9 - 2568 - 000		1	SCREW,MACH.,TRUSS HEAD	
2	FB1 - 7267 - 000		1	BELT, PAPER FEED, 1	
3	FB1 - 7270 - 000		1	PULLEY, BELT, 1	
4	FB1 - 7275 - 000		2	CLAW, SEPARATION	
5	FB2 - 4780 - 000		1	COVER, SENSOR PCB	
6	FB2 - 4781 - 000		1	LEVER, SENSOR, 2	
7	FB2 - 4782 - 000		1	LEVER, SENSOR, 1	
8	FB2 - 4928 - 020		1	MOUNT, HINGE, FRONT	
9	FB2 - 4929 - 000		1	MOUNT, HINGE, REAR	
10	FB2 - 4930 - 000		2	PIN, HINGE	
11	FB2 - 4933 - 000		1	COVER, AC POWER SUPPLY	
12	FB2 - 5029 - 020		1	ROLLER, PRESSURE	
13	FB2 - 5030 - 000		2	HOLDER, ROLLER	
14	FB2 - 5031 - 000		1	ROLLER, DELIVERY	
15	FB2 - 5032 - 000		1	GUIDE, ENTRANCE	
16	FB2 - 5033 - 000		1	GUIDE, LOWER, DELIVERY	
17	FB2 - 5034 - 000		1	HOLDER, ENTRANCE GUIDE	
18	FB2 - 5040 - 000		1	ROLLER, CLEANING	
19	FB2 - 5041 - 000		2	BUSHING	
20	FB2 - 5042 - 000		2	SPRING, LEAF	
21	FB2 - 5060 - 000		1	SHIELD, NOISE	
22	FB2 - 5161 - 030		1	ROLLER, LOWER	
23	FB2 - 5162 - 000		1	RING, RATCHET	
24	FB2 - 5163 - 000		1	SPRING, CLUTCH	
25	FB2 - 5164 - 000		1	DRUM, CLUTCH	
26	FB2 - 5182 - 000		1	SHAFT, CLUTCH	
27	FB2 - 5221 - 000		1	LEVER, SENSOR	
28	FB2 - 5222 - 020		1	LEVER, CLUTCH	
29	FB2 - 5223 - 000		1	SHEET, GUIDE	

FIGURE & KEY NO.	PART NUMBER	R A N K	Q' T Y	DESCRIPTION	SERIAL NUMBER / REMARKS
102 - 30	FB2 - 5224 - 000		1	ARM, PAPER PICK-UP	PC780
31	FB2 - 5266 - 000		1	RING, RATCHET	PC760
	FB2 - 5183 - 000		1	RING, RATCHET	PC780
32	FB2 - 5301 - 000	N	1	FRAME, BASE	
33	FB2 - 5304 - 000		2	BLOCK, HINGE SLIDING	
34	FB2 - 5305 - 000		2	PIN, SLIDE, 1	
35	FB2 - 5309 - 000		1	PULLEY, BELT, 2	
36	FB2 - 5310 - 000		2	PULLEY, BELT, 3	
37	FB2 - 5311 - 000		2	BELT, PAPER FEED, 2	
38	FB2 - 5380 - 030		1	PAD, SEPARATION	
39	FB2 - 5381 - 000		1	BLOCK, PAD	
40	FB2 - 5382 - 000		1	HOLDER, ROLLER	
41	FB2 - 5383 - 020		1	FLAG, SENSING, 1	
42	FB2 - 5385 - 000		2	ROLLER	
43	FB2 - 5388 - 000		1	FLAG, SENSING, 2	
44	FB2 - 5392 - 020		1	PLATE, FLAG HOLDING	
45	FB3 - 0733 - 000		1	BLOCK, SHUTTER RELEASE	
46	FF2 - 9777 - 000		1	CABLE, SENSOR PCB UNIT	J108,751
47	FF2 - 9789 - 000		1	CABLE, AC INLET	P1
48	FF5 - 2858 - 000		1	COVER	
49	FF5 - 2872 - 000		1	PLATE, SWING	
50	FF5 - 3715 - 000		1	GEAR, 30T/80T	PC760
	FF5 - 3714 - 000		1	GEAR, 17T/80T	PC780
51	FF9 - 1504 - 000		1	SOLENOID	SL2 J4
52	FG5 - 3549 - 000		1	SENSOR PCB ASSEMBLY	
53	FH2 - 5761 - 000		1	CORD, POWER SUPPLY	220V P1
54	FH7 - 5627 - 000		1	SOLENOID, DC24V	SL1 J3
55	FH7 - 5628 - 000		1	SOLENOID, DC24V	PC780 SL4 J6
56	FH7 - 6216 - 000		1	SWITCH, INTERLOCK	DS1
57	FS5 - 0883 - 000		1	GEAR, 34T	

FIGURE & KEY NO.	PART NUMBER	RANK	QTY	DESCRIPTION	SERIAL NUMBER / REMARKS
102 - 58	FS5 - 0885 - 000		1	GEAR, 14T	
59	FS5 - 0893 - 000		1	GEAR, 24T	PC760
	FS5 - 0887 - 000		1	GEAR, 25T	PC780
60	FS5 - 0903 - 000		1	GEAR, 36T	
61	FS5 - 0913 - 020		1	GEAR, 17T/18T	
62	FS5 - 0915 - 000		1	GEAR, 14T	
63	FS5 - 1438 - 000		1	BUSHING	
64	FS5 - 1440 - 000		1	BUSHING, REGISTRATION, REAR	
65	FS5 - 2351 - 000		1	SPRING, CLUTCH	
66	FS5 - 2767 - 000		1	SPRING, TENSION	
67	FS5 - 2771 - 000		2	SPRING, TENSION	PC780
68	FS5 - 2772 - 000		1	SPRING, TENSION	PC780
69	FS5 - 2772 - 000		1	SPRING, TENSION	
70	FS5 - 2773 - 000		1	SPRING, TENSION	PC780
71	FS5 - 2778 - 000		1	SPRING, COMPRESSION	
72	FS5 - 2783 - 000		2	SPRING, TENSION	
73	FS5 - 2798 - 000		2	SPRING, COMPRESSION	
74	FS5 - 2799 - 000		2	SPRING, TORSION	
75	FS5 - 2800 - 000		2	SPRING, TENSION	
76	FS5 - 2804 - 000		1	SPRING, COMPRESSION	
77	FS5 - 2805 - 000		1	SPRING, COMPRESSION	
78	FS5 - 2806 - 000		2	SPRING, COMPRESSION	
79	VS1 - 5057 - 002		1	CONNECTOR, SNAP TIGHT	J4
80	VS1 - 5057 - 002		1	CONNECTOR, SNAP TIGHT	J3
81	VS1 - 5057 - 003		1	CONNECTOR, SNAP TIGHT	PC780 J6
82	WE8 - 5093 - 000		1	FERRITE CORE	
83	WT2 - 5041 - 000		1	CLAMP, CABLE	
84	XA9 - 0763 - 000		6	SCREW,RS,M3X11	
85	XD9 - 0134 - 000		4	RING,E	
86	XD9 - 0134 - 000		2	RING,E	

FIGURE & KEY NO.	PART NUMBER	R A N K	Q' T Y	DESCRIPTION	SERIAL NUMBER / REMARKS
102 - 87	XD9 - 0136 - 000		1	RING,E	
501	XB1 - 2300 - 409		1	SCREW,MACH.,TRUSS HEAD,M3X4	PC780
502	XB1 - 2300 - 409		1	SCREW,MACH.,TRUSS HEAD,M3X4	
503	XB2 - 7300 - 607		1	SCREW,W/WASHER,M3X6	PC780
504	XB2 - 7300 - 607		1	SCREW,W/WASHER,M3X6	PC780
505	XB2 - 8300 - 607		1	SCREW,W/WASHER,M3X6	
506	XB4 - 7300 - 809		4	SCREW,TAPPING,TRUSS HEAD,M3X8	
507	XB4 - 7400 - 609		9	SCREW,TAPPING,TRUSS HEAD,M4X6	
508	XB6 - 7300 - 609		1	SCREW,TP,M3X6	
509	XD2 - 2300 - 502		1	RING,TOOTHED LOCK	
510	XD3 - 2160 - 062		2	PIN,DOWEL	

FIGURE 130 CONTROL PANEL ASSEMBLY



NOTE: This assembly includes the assembly shown in Figure 915.

FIGURE & KEY NO.	PART NUMBER	RANK	QTY	DESCRIPTION	SERIAL NUMBER / REMARKS
130 -	FG6 - 0136 - 00S		1	CONTROL PANEL ASSEMBLY	PC760 SEE NOTE
	FG6 - 0138 - 00S		1	CONTROL PANEL ASSEMBLY	PC780 SEE NOTE
1	FB2 - 4883 - 000		1	KEY TOP, START	
2	FB2 - 4884 - 000		1	KEY TOP, CLEAR/STOP	
3	FB4 - 1189 - 00S		1	KEY TOP, FUNCTION, 1	PC760
	FB4 - 1188 - 00S		1	KEY TOP, FUNCTION, 1	PC780
4	FB4 - 1256 - 00S		1	KEY TOP, FUNCTION, 2	
5	FB4 - 1257 - 00S		1	KNOB, DENSITY CONTROL	
6	FB4 - 1265 - 000		1	PANEL, CLEAR	PC760
	FB4 - 1266 - 000		1	PANEL, CLEAR	PC780

FIGURE 160 COPYBOARD COVER ASSEMBLY

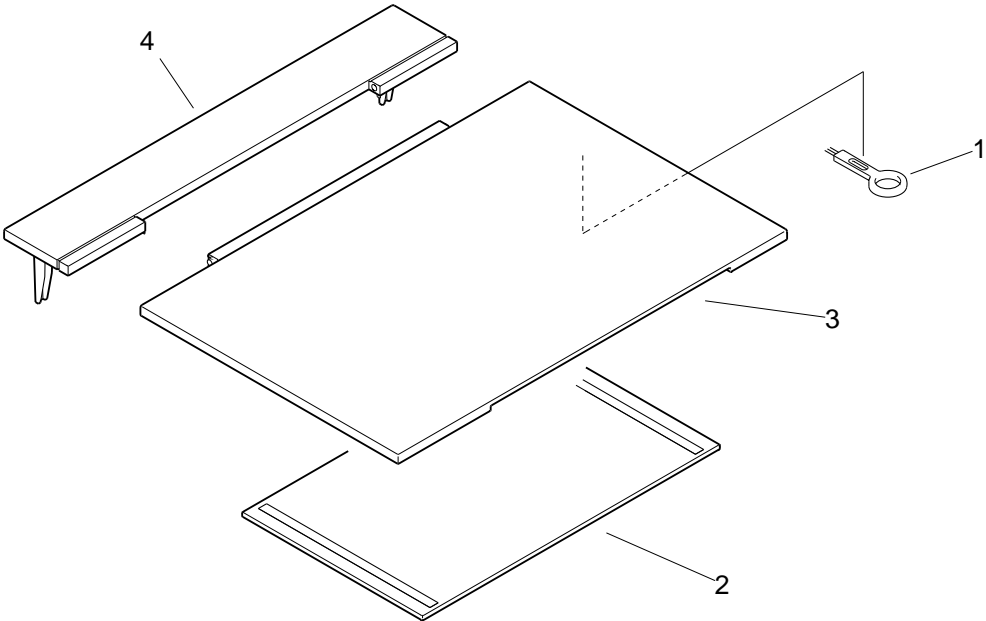
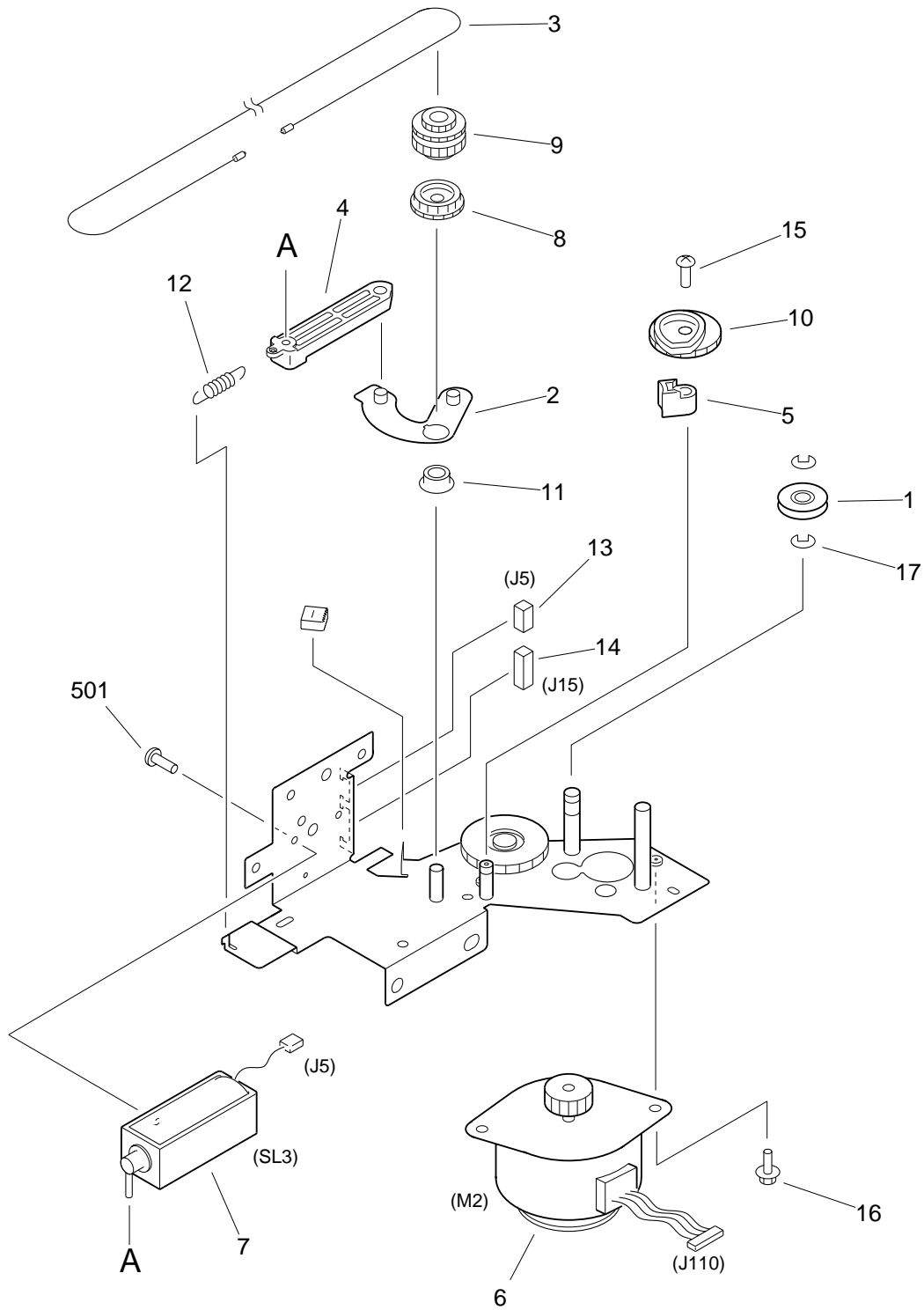


FIGURE & KEY NO.	PART NUMBER	RANK	QTY	DESCRIPTION	SERIAL NUMBER / REMARKS
160 -	FG5 - 3532 - 000		1	COPYBOARD COVER ASSEMBLY	
1	FA9 - 3102 - 000		1	BRUSH, CLEANING	
2	FB1 - 8870 - 000		1	SHEET, COPYBOARD	
3	FB2 - 5423 - 000		1	COVER, COPYBOARD, LARGE	
4	FB2 - 5424 - 000		1	COVER, COPYBOARD, SMALL	

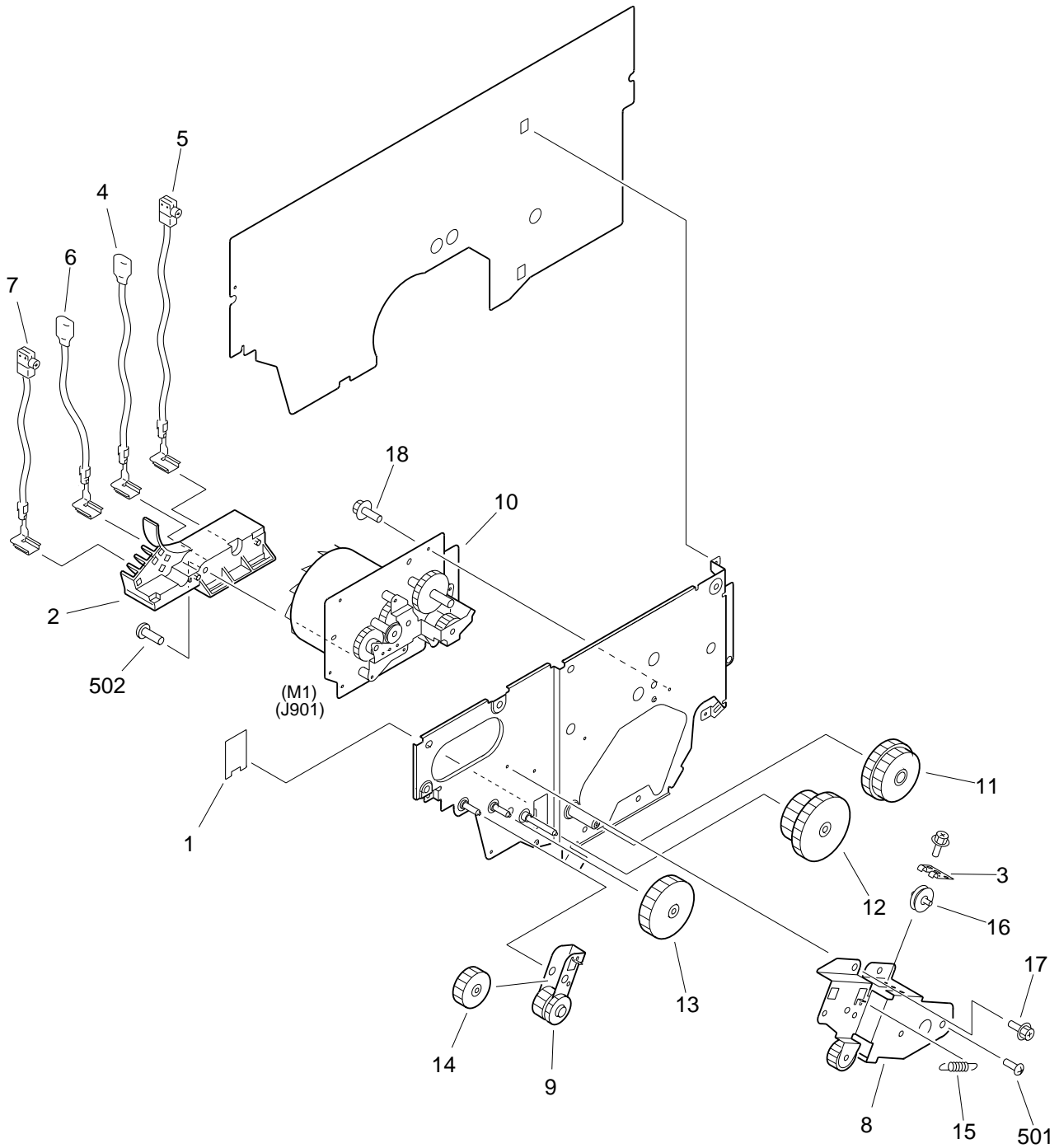
FIGURE 220 SCANNER DRIVE ASSEMBLY



NOTE: This assembly does not include the parts shown with key No. 3, 5, 10 and 15.

FIGURE & KEY NO.	PART NUMBER	R A N K	Q' T Y	DESCRIPTION	SERIAL NUMBER / REMARKS
220 -	FG5 - 3465 - 040		1	SCANNER DRIVE ASSEMBLY	
1	FB2 - 4616 - 000		1	PULLEY	
2	FB2 - 4701 - 020		1	ARM, SOLENOID, 1	
3	FB2 - 4702 - 000		1	WIRE, SCANNER DRIVE	SEE NOTE
4	FB2 - 4703 - 000		1	ARM, SOLENOID, 2	
5	FB2 - 4704 - 000		1	BLOCK, WIRE STOP	SEE NOTE
6	FH6 - 1079 - 000		1	MOTOR, STEPPING	M2 J110
7	FH7 - 5564 - 000		1	SOLENOID, DC24V	SL3 J5
8	FS5 - 0917 - 000		1	GEAR, 40T	
9	FS5 - 0918 - 000		1	GEAR, 24T/39T	
10	FS5 - 0919 - 000		1	GEAR, 53T	SEE NOTE
11	FS5 - 1439 - 000		1	BUSHING	
12	FS5 - 2821 - 000		1	SPRING, TENSION	
13	VS1 - 5057 - 002		1	CONNECTOR, SNAP TIGHT	J5
14	VS1 - 5057 - 006		1	CONNECTOR, SNAP TIGHT	J15
15	XA9 - 0187 - 000		1	SCREW,M3X6	SEE NOTE
16	XA9 - 0760 - 000		2	SCREW,RS,M3X6	
17	XD9 - 0136 - 000		2	RING,E	
501	XB1 - 2300 - 409		2	SCREW,MACH.,TRUSS HEAD,M3X4	

FIGURE 230 MAIN DRIVE ASSEMBLY



NOTE: This assembly does not include the parts shown with key No. 2, 4, 5, 6, 7, 10, 18 and 502.

FIGURE & KEY NO.	PART NUMBER	R A N K	Q' T Y	DESCRIPTION	SERIAL NUMBER / REMARKS
230 -	FG5 - 3476 - 000		1	MAIN DRIVE ASSEMBLY	
1	FB2 - 4854 - 000		1	PLATE, BLANKING	
2	FB2 - 4927 - 000		1	MOUNT, TERMINAL, UPPER	SEE NOTE
3	FB3 - 0629 - 000		1	PLATE, IDLER HOLDER	
4	FF2 - 9724 - 000		1	CABLE, TERMINAL, PRIMARY	SEE NOTE
5	FF2 - 9725 - 000		1	CABLE, TERMINAL, TRANSFER	SEE NOTE
6	FF2 - 9726 - 000		1	CABLE, TERMINAL	SEE NOTE
7	FF2 - 9727 - 000		1	CABLE, TERMINAL, ELIMINATOR	SEE NOTE
8	FF5 - 2887 - 000	N	1	FRONT PANEL, AUXILIARY	
9	FF5 - 2888 - 000		1	PLATE, SWING	
10	FH6 - 1076 - 000		1	MOTOR, DC24V	SEE NOTE M1 J901
11	FS5 - 0905 - 000		1	GEAR, 58T/35T	
12	FS5 - 0906 - 000		1	GEAR, 48T/34T	
13	FS5 - 0907 - 000		1	GEAR, 41T	
14	FS5 - 0908 - 000		1	GEAR, 25T	
15	FS5 - 2785 - 000		1	SPRING, TENSION	
16	FS5 - 6393 - 000		1	ROLLER, IDLER	
17	XA9 - 0760 - 000		2	SCREW,RS,M3X6	
18	XA9 - 0760 - 000		AR	SCREW,RS,M3X6	SEE NOTE
501	XB1 - 2300 - 609		1	SCREW,MACH.,TRUSS HEAD,M3X6	
502	XB1 - 2400 - 609		1	SCREW,MACH.,TRUSS HEAD,M4X6	SEE NOTE

FIGURE 240 DELIVERY DRIVE ASSEMBLY

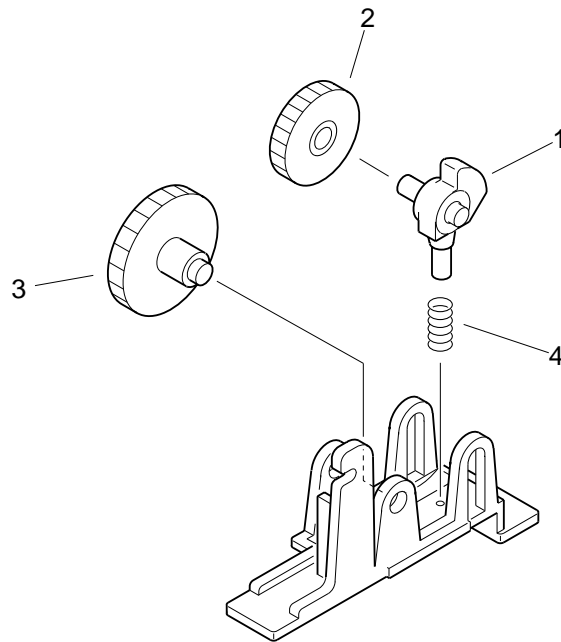


FIGURE & KEY NO.	PART NUMBER	RANK	QTY	DESCRIPTION	SERIAL NUMBER / REMARKS
240 -	FG5 - 3501 - 000		1	DELIVERY DRIVE ASSEMBLY	
1	FB2 - 5052 - 000		1	SHAFT, GEAR	
2	FS5 - 0911 - 000		1	GEAR, 20T	
3	FS5 - 0912 - 000		1	GEAR, 40T/39T	
4	FS5 - 2786 - 000		1	SPRING, COMPRESSION	

FIGURE 250 PAPER PICK-UP DRIVE ASSEMBLY (PC780)

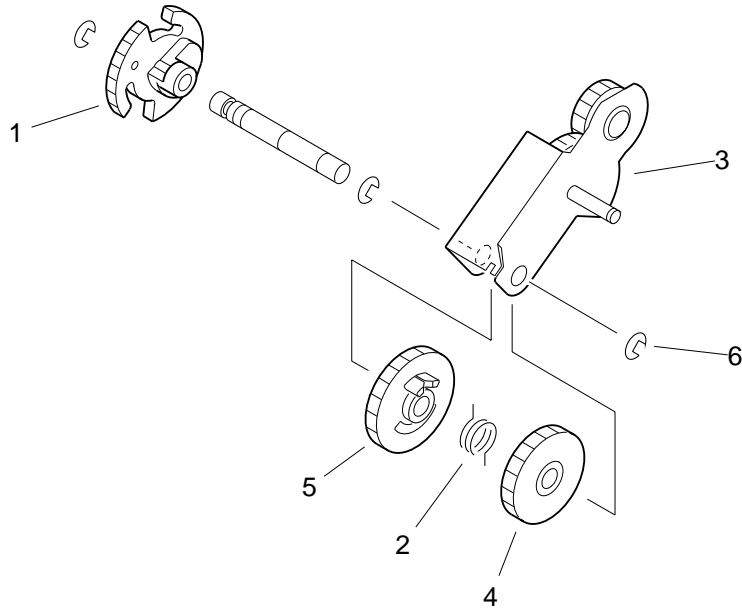


FIGURE & KEY NO.	PART NUMBER	RANK	QTY	DESCRIPTION	SERIAL NUMBER / REMARKS
250 -	FG5 - 3511 - 000		1	PICK-UP DRIVE ASSEMBLY	PC780
1	FB2 - 5198 - 000		1	GEAR, 32T	
2	FB2 - 5199 - 000		1	SPRING, TORSION	
3	FF5 - 2874 - 000		1	PLATE, SWING	
4	FS5 - 0890 - 000		1	GEAR, 32T	
5	FS5 - 0900 - 000		1	GEAR, 18T	
6	XD9 - 0136 - 000		3	RING,E	

FIGURE 251 PAPER PICK-UP DRIVE ASSEMBLY (PC760)

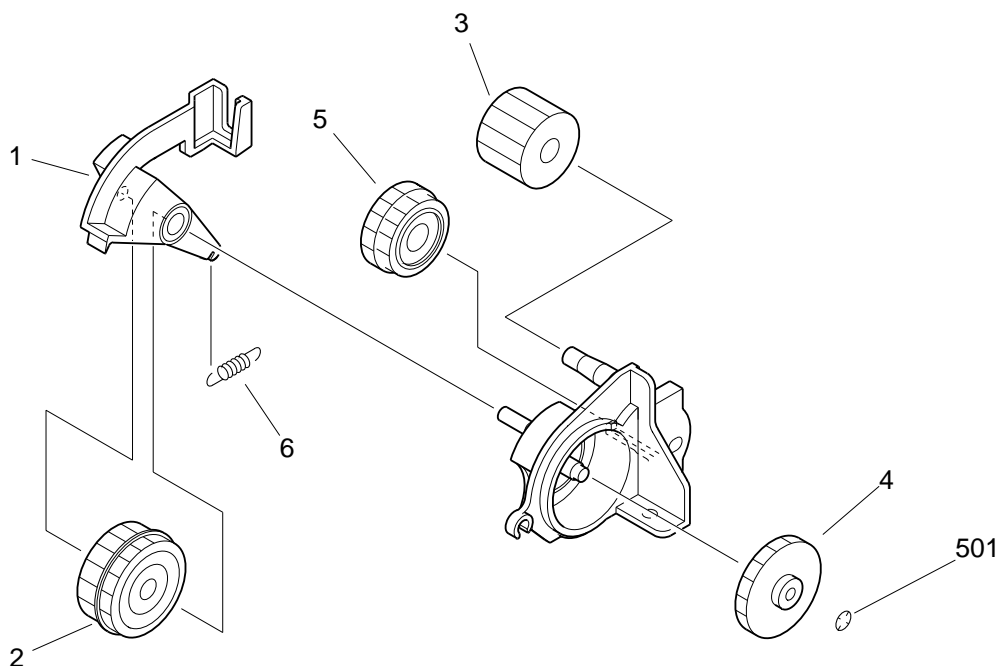


FIGURE & KEY NO.	PART NUMBER	RANK	QTY	DESCRIPTION	SERIAL NUMBER / REMARKS
251 -	FG5 - 3518 - 000		1	PICK-UP DRIVE ASSEMBLY	PC760
1	FB2 - 5275 - 000		1	LEVER, CLUTCH	
2	FS5 - 0894 - 000		1	GEAR, 26T	
3	FS5 - 0895 - 000		1	GEAR, 20T	
4	FS5 - 0896 - 000		1	GEAT, 29T	
5	FS5 - 0897 - 000		1	GEAR, 25T/26T	
6	FS5 - 2775 - 000		1	SPRING, TENSION	
501	XD2 - 2300 - 402		1	RING,TOOTHED LOCK	

FIGURE 300 CASSETTE

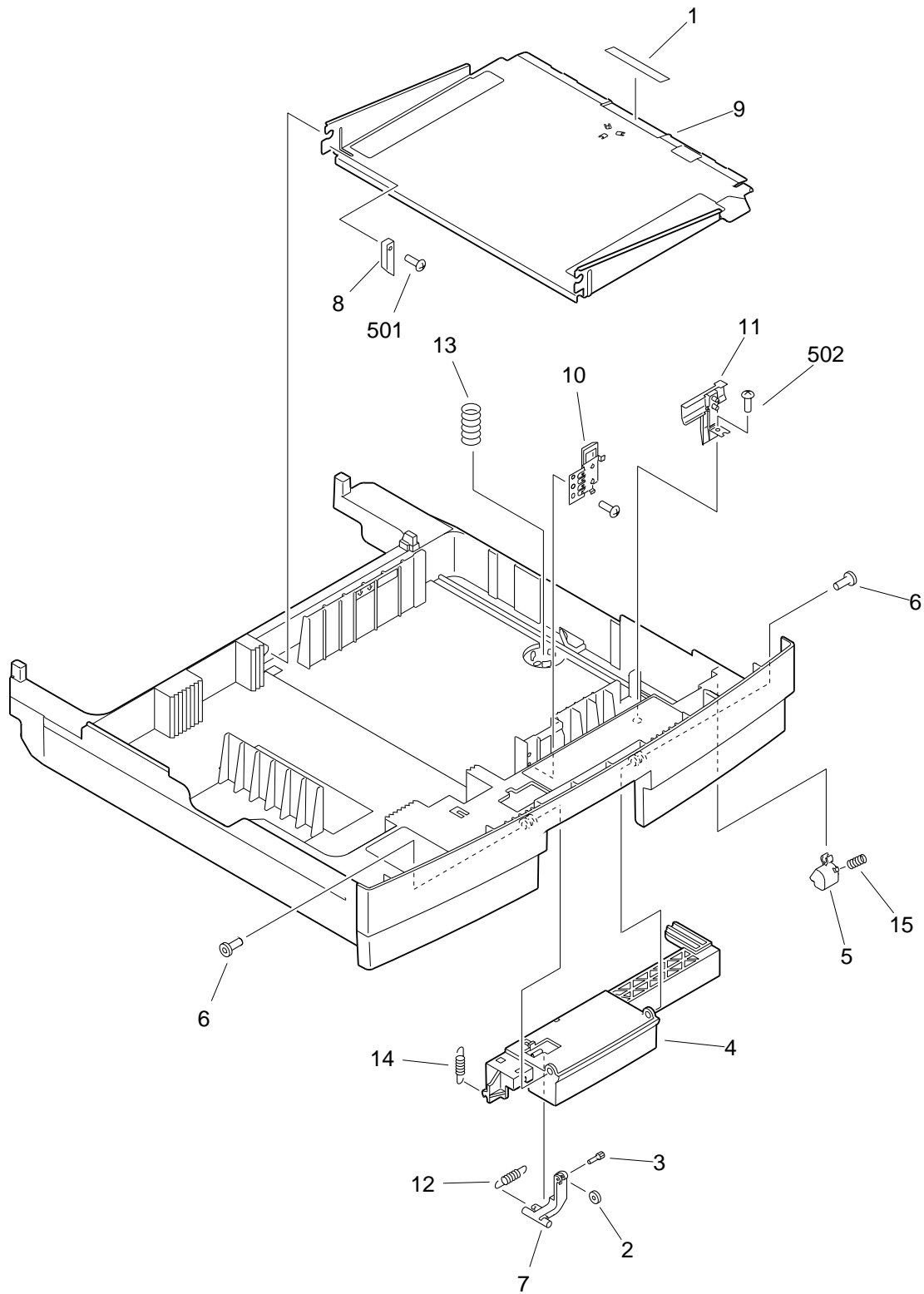


FIGURE & KEY NO.	PART NUMBER	R A N K	Q' T Y	DESCRIPTION	SERIAL NUMBER / REMARKS
300 -	NPN		RF	CASSETTE	
1	FB2 - 2559 - 000		1	SHEET, LIFTING PLATE	
2	FB2 - 4863 - 000		1	ROLLER, HOOK	
3	FB2 - 4864 - 000		1	SHAFT, ROLLER	
4	FB2 - 5403 - 020		1	LATCH, HANDLE	
5	FB2 - 5407 - 020		1	CATCH, PAPER, LIFTING	
6	FB2 - 5408 - 000		2	PIN, LEVER	
7	FB2 - 5410 - 000		1	HOOK, LATCH	
8	FB2 - 5413 - 000		1	BRUSH, GROUNDING	
9	FB4 - 1091 - 00S		1	PLATE, PAPER LIFTING	
10	FF5 - 2903 - 000		1	SPRING, LEAF, LARGE	
11	FF5 - 6740 - 00S		1	SPRING, LEAF, SMALL	
12	FS5 - 2780 - 000		1	SPRING, TENSION	
13	FS5 - 2781 - 020		1	SPRING, COMPRESSION	
14	FS5 - 2782 - 000		1	SPRING, TENSION	
15	FS5 - 2810 - 000		1	SPRING, COMPRESSION	
501	XB1 - 2300 - 409		1	SCREW, MACH., TRUSS HEAD, M3X4	
502	XB4 - 7300 - 509		2	SCREW, TAPPING, TRUSS HEAD, M3X5	

FIGURE 340 PAPER PICK-UP ROLLER ASSEMBLY (CASSETTE)

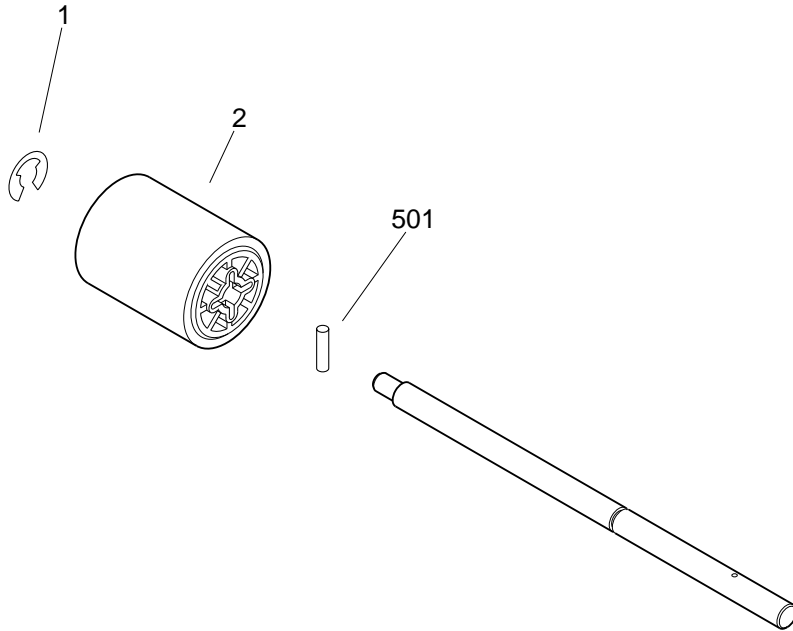
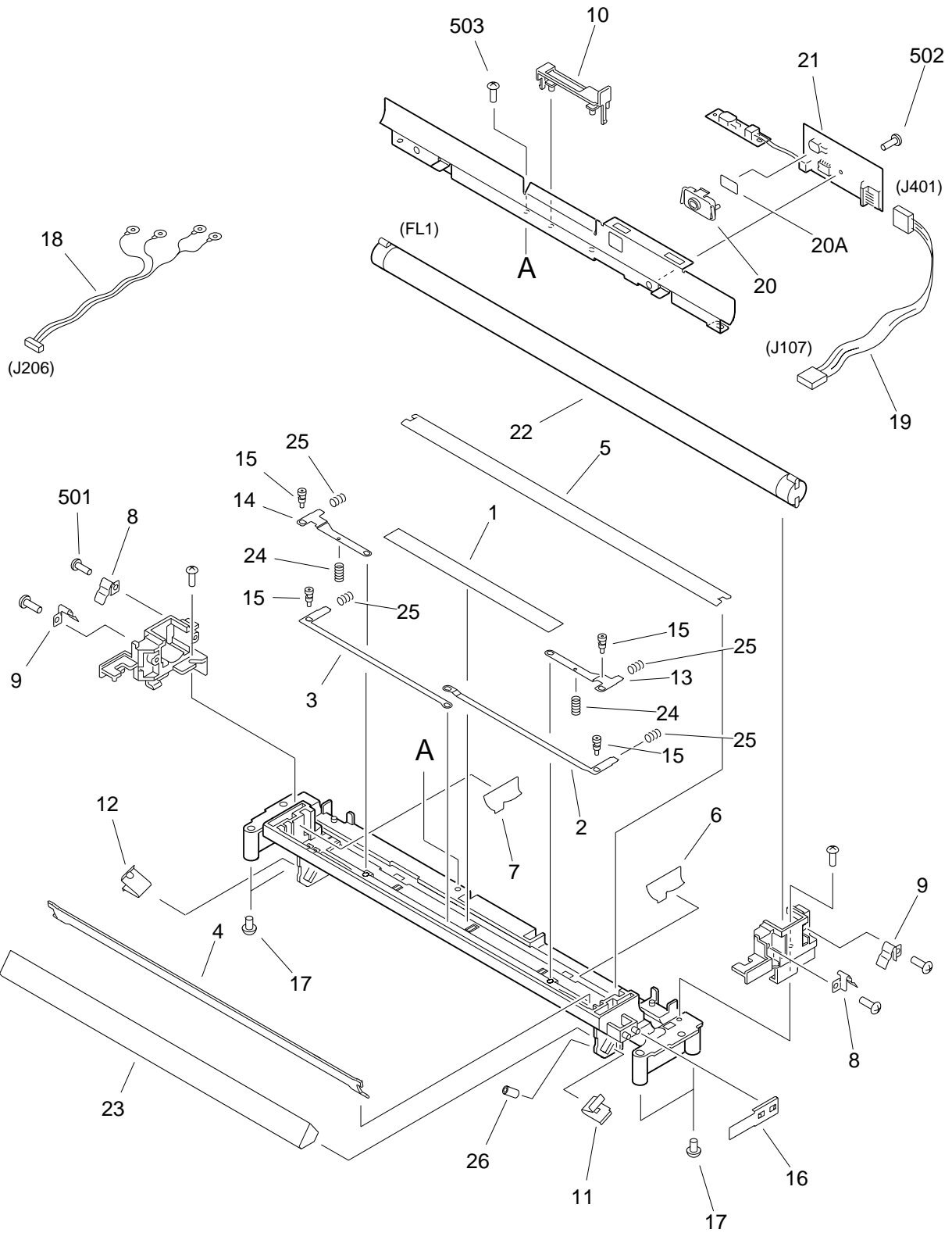


FIGURE & KEY NO.	PART NUMBER	RANK	QTY	DESCRIPTION	SERIAL NUMBER / REMARKS
340 -	FG5 - 3531 - 000		1	PICK-UP ROLLER ASSEMBLY	CASSETTE
1	FA4 - 1159 - 000		1	RING, RETAINING	
2	FB1 - 8581 - 000		1	ROLLER, MULTI FEED	
501	XD3 - 2160 - 142		1	PIN,DOWEL	

FIGURE 400 MIRROR ASSEMBLY 1



NOTE: This assembly does not include the part shown with key No.22.

FIGURE & KEY NO.	PART NUMBER	RANK	QTY	DESCRIPTION	SERIAL NUMBER / REMARKS
400 -	FG6 - 0143 - 00S		1	MIRROR ASSEMBLY 1	
1	FA9 - 3065 - 000		1	SHEET, 5	
2	FB2 - 4650 - 000		1	SHUTTER, FRONT	
3	FB2 - 4651 - 000		1	SHUTTER, REAR	
4	FB2 - 4652 - 000		1	REFLECTOR, 1	
5	FB2 - 4653 - 000		1	REFLECTOR, 2	
6	FB2 - 4654 - 000		1	PLATE, SIDE REFLECTOR, FRONT	
7	FB2 - 4655 - 000		1	PLATE, SIDE REFLECTOR, REAR	
8	FB2 - 4658 - 020		2	SPRING, LEAF, 1	
9	FB2 - 4659 - 020		2	SPRING, LEAF, 2	
10	FB2 - 4660 - 000		1	COVER, SENSOR	
11	FB2 - 4662 - 020		1	SPRING, LEAF, FRONT	
12	FB2 - 4663 - 020		1	SPRING, LEAF, REAR	
13	FB2 - 4664 - 000		1	SHUTTER, SUB, FRONT	
14	FB2 - 4665 - 000		1	SHUTTER, SUB, REAR	
15	FB2 - 4666 - 030		4	SCREW, ADJUSTING	
16	FB2 - 4667 - 020		1	FLAG	
17	FB2 - 4669 - 000		4	BLOCK, RAIL SLIDING	
18	FF2 - 9728 - 000		1	CABLE, MIRROR ASSEMBLY 1	J206
19	FF2 - 9729 - 000		1	CABLE, MIRROR UNIT 1 SENSOR	J107,401
20	FF5 - 2889 - 000		1	COVER, SENSOR	
20 A	FB1 - 0715 - 000		1	FILTER, LIGHT DENSITY	
21	FG5 - 3541 - 000		1	INTENSITY/AE SENSOR PCB ASS'Y	
22	FH7 - 3272 - 000		1	LAMP, FLUORESCENT	SEE NOTE FL1
23	FN5 - 4018 - 000		1	MIRROR, 1	
24	FS5 - 2032 - 000		4	SPRING, COMPRESSION	
25	FS5 - 2815 - 000		4	SPRING, COMPRESSION	
26	XA9 - 0911 - 000		1	SETSCREW,M3X8	
501	XB1 - 2300 - 609		4	SCREW,MACH.,TRUSS HEAD,M3X6	
502	XB2 - 8300 - 607		1	SCREW,W/WASHER,M3X6	

FIGURE & KEY NO.	PART NUMBER	R A N K	Q' T Y	DESCRIPTION	SERIAL NUMBER / REMARKS
400 - 503	XB4 - 7300 - 809		3	SCREW,TAPPING,TRUSS HEAD,M3X8	

FIGURE 401 MIRROR ASSEMBLY 2

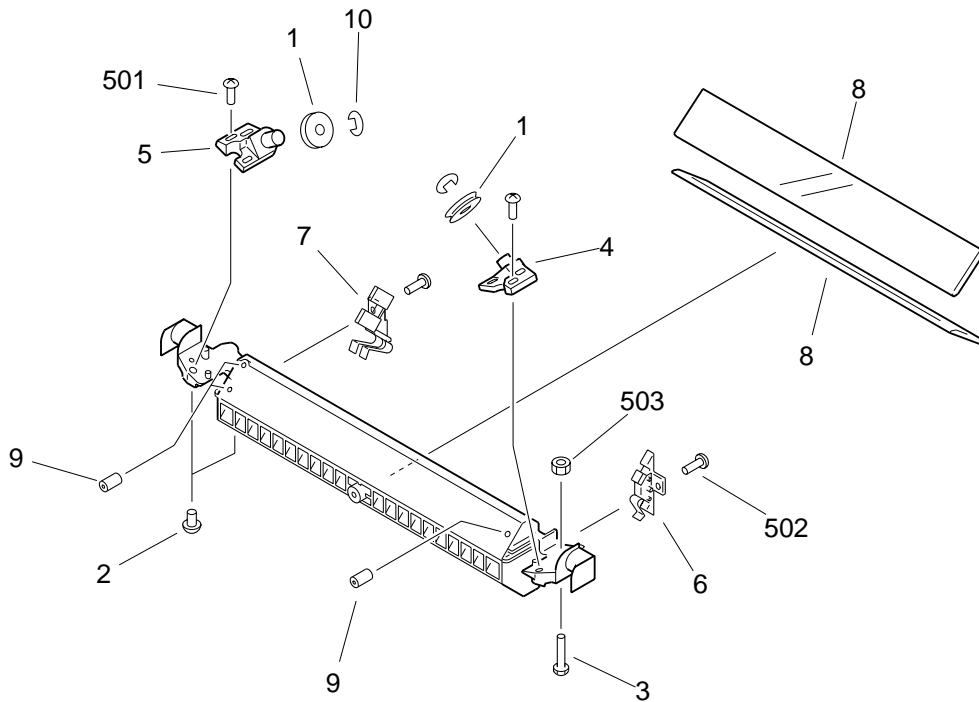


FIGURE & KEY NO.	PART NUMBER	RANK	QTY	DESCRIPTION	SERIAL NUMBER / REMARKS
401 -	FG5 - 3463 - 000		1	MIRROR ASSEMBLY 2	
1	FB2 - 4616 - 000		2	PULLEY	
2	FB2 - 4669 - 000		2	BLOCK, RAIL SLIDING	
3	FB2 - 4676 - 000		1	SCREW, ADJUSTING, M4	
4	FB2 - 4677 - 020		1	PLATE, WIRE POSITIONING, FRONT	
5	FB2 - 4678 - 020		1	PLATE, WIRE POSITIONING, REAR	
6	FF5 - 2899 - 000		1	HOLDER, MIRROR, FRONT	
7	FF5 - 2900 - 000		1	HOLDER, MIRROR, REAR	
8	FN5 - 4019 - 000		2	MIRROR, 2/3	
9	XA9 - 0911 - 000		3	SETSCREW, M3X8	
10	XD9 - 0136 - 000		2	RING, E	
501	XB4 - 7300 - 809		2	SCREW, TAPPING, TRUSS HEAD, M3X8	
502	XB4 - 7301 - 009		2	SCREW, TAPPING, TRUSS HEAD, M3X10	
503	XB7 - 2200 - 409		1	NUT, HEX, M4	

FIGURE 402 ZOOM MIRROR ASSEMBLY

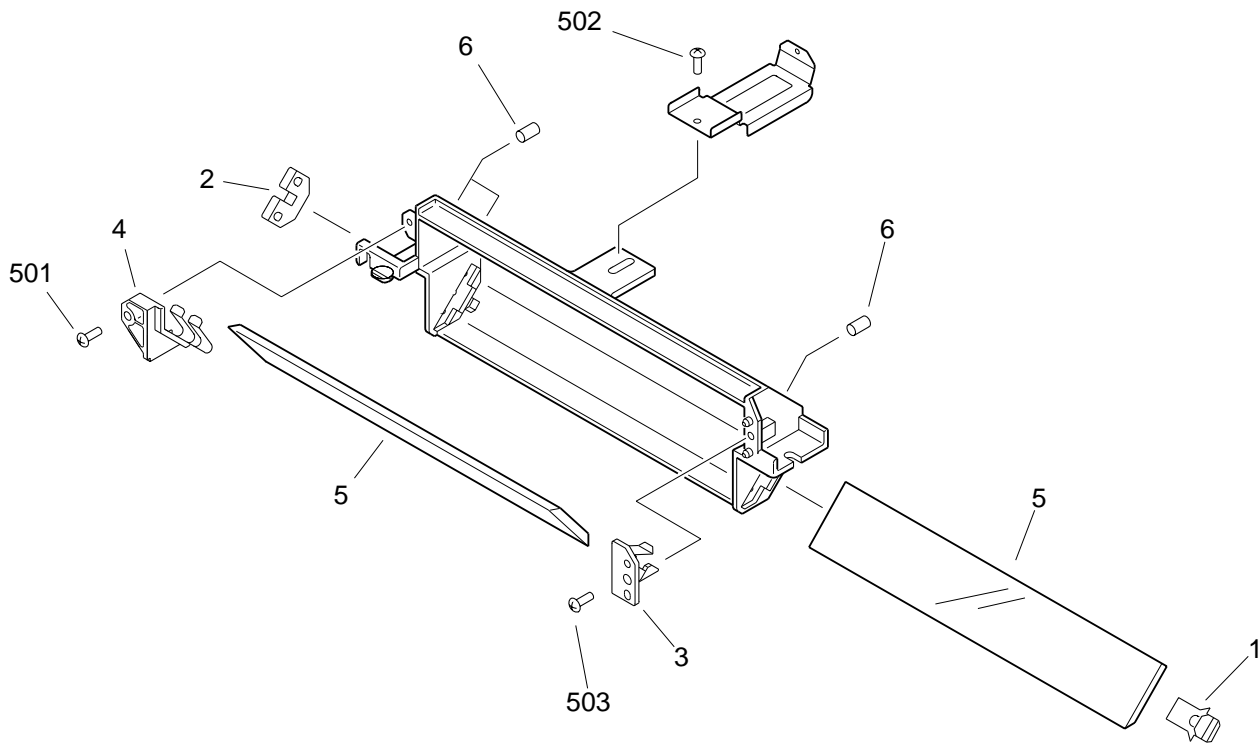


FIGURE & KEY NO.	PART NUMBER	RANK	QTY	DESCRIPTION	SERIAL NUMBER / REMARKS
402 -	FG5 - 3464 - 000		1	ZOOM MIRROR ASSEMBLY	
1	FB2 - 4694 - 020		1	SPRING, LEAF, MIRROR 5, FRONT	
2	FB2 - 4695 - 030		1	SPRING, LEAF, MIRROR 5, REAR	
3	FF5 - 2901 - 000		1	SPRING, LEAF, MIRROR 4, FRONT	
4	FF5 - 2902 - 000		1	SPRING, LEAF, MIRROR 4, REAR	
5	FN5 - 4020 - 000		2	MIRROR, 4/5	
6	XA9 - 0911 - 000		3	SETSCREW, M3X8	
501	XB1 - 2300 - 609		1	SCREW, MACH., TRUSS HEAD, M3X6	
502	XB1 - 2300 - 809		1	SCREW, MACH., TRUSS HEAD, M3X8	
503	XB4 - 7300 - 809		1	SCREW, TAPPING, TRUSS HEAD, M3X8	

FIGURE 450 BLANK EXPOSURE LAMP ASSEMBLY

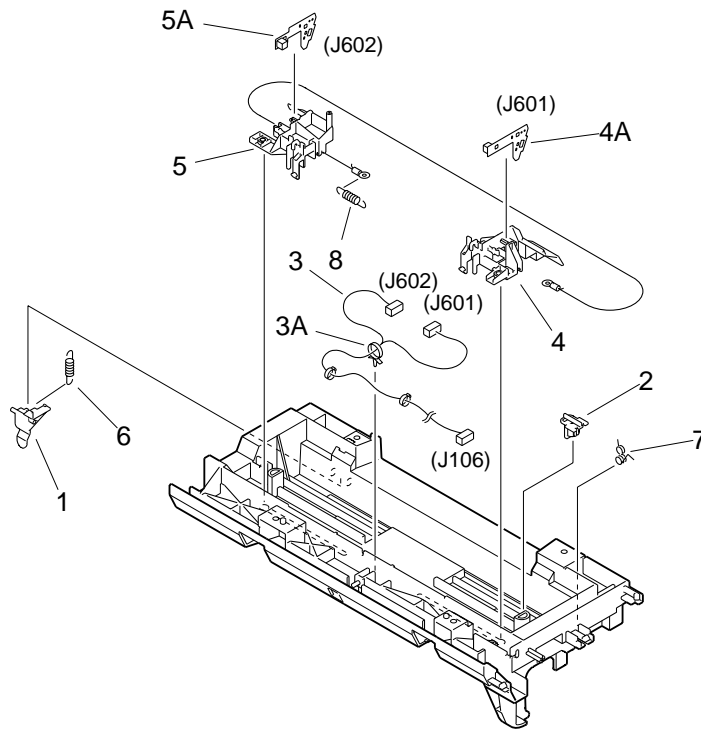


FIGURE & KEY NO.	PART NUMBER	RANK	QTY	DESCRIPTION	SERIAL NUMBER / REMARKS
450 -	FG5 - 3471 - 020		1	BLANK EXPOSURE LAMP ASSEMBLY	
1	FB2 - 4759 - 000		1	PLATE, OPEN/CLOSE SHUTTER	
2	FB2 - 4760 - 000		1	COVER, WIRE	
3	FF2 - 9731 - 000		1	CABLE, BLANK EXPOSURE	J106,601,602
3A	WT2 - 5041 - 000		1	CLAMP, CABLE	
4	FF5 - 2860 - 000		1	MOUNT, LAMP, FRONT	
4A	FG5 - 3542 - 000		1	BLANK EXP. FRONT PCB ASSEMBLY	J601
5	FF5 - 2861 - 020		1	MOUNT, LAMP, REAR	
5A	FG5 - 3546 - 000		1	BLANK EXP. REAR PCB ASSEMBLY	J602
6	FS5 - 2787 - 000		1	SPRING, TENSION	
7	FS5 - 2788 - 000		1	SPRING, TORSION	
8	FS5 - 2790 - 000		1	SPRING, TENSION	

FIGURE 530 TRANSFER ASSEMBLY

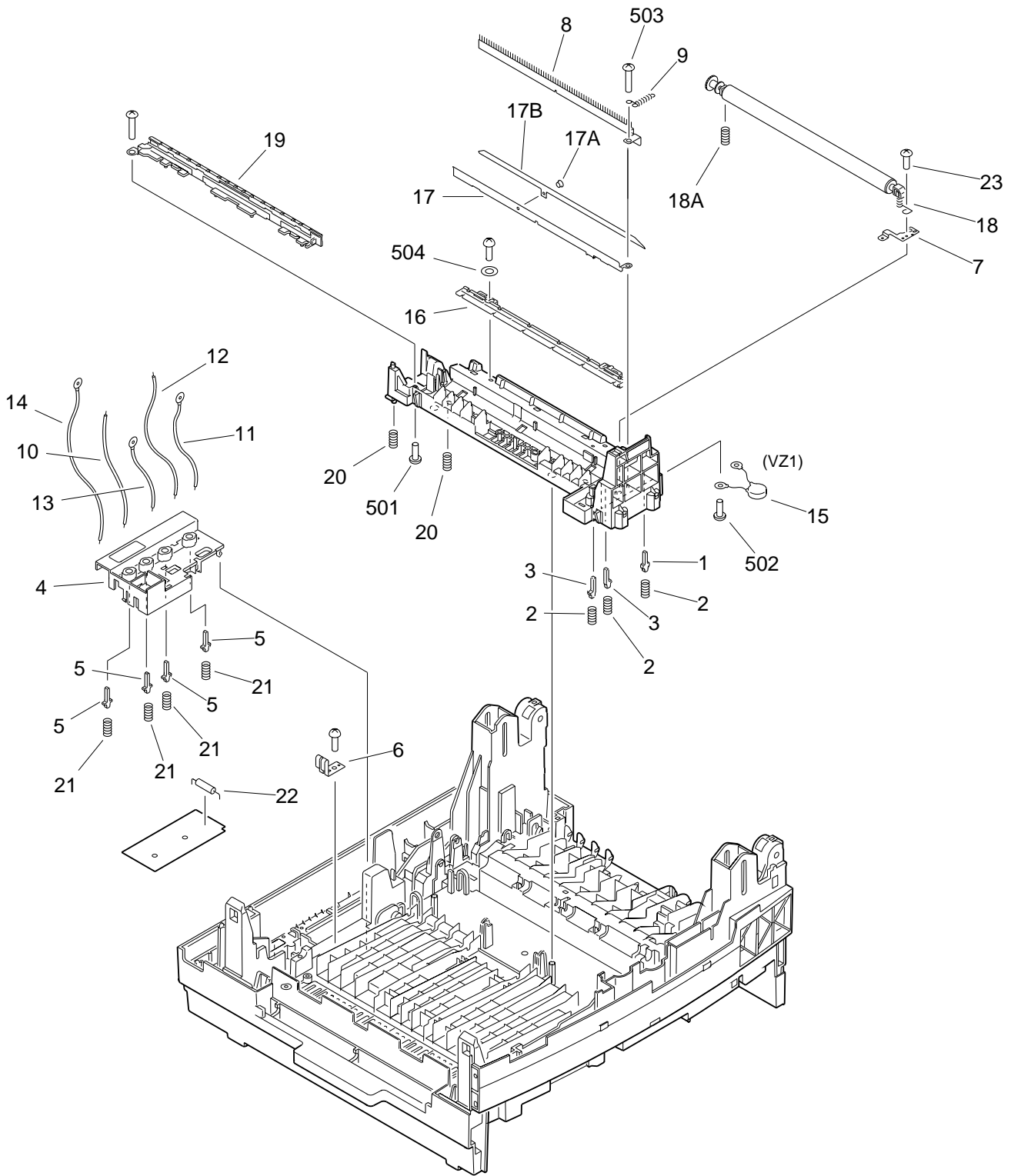


FIGURE & KEY NO.	PART NUMBER	RANK	QTY	DESCRIPTION	SERIAL NUMBER / REMARKS
530 -	FG5 - 3506 - 000		1	TRANSFER ASSEMBLY	
1	FB1 - 7425 - 000		1	PIN CONTACT	
2	FB1 - 7427 - 000		3	SPRING, COMPRESSION	
3	FB1 - 7431 - 000		2	PIN CONTACT	
4	FB2 - 4861 - 000		1	HOUSING	
5	FB2 - 4862 - 000		4	TERMINAL, LOWER	
6	FB2 - 4939 - 000		1	SPRING, LEAF	
7	FB2 - 5156 - 000		1	PLATE, TERMINAL	
8	FB2 - 5159 - 000		1	ELIMINATOR, STATIC CHARGE	
9	FB2 - 5169 - 000		1	SPRING, TENSION	
10	FF2 - 9762 - 000		1	CABLE, HV, PRIMARY	
11	FF2 - 9763 - 000		1	CABLE, HV, TRANSFER	
12	FF2 - 9764 - 000		1	CABLE, HV, DEVELOPING	
13	FF2 - 9765 - 000		1	CABLE, HV, ELIMINATOR	
14	FF2 - 9766 - 000		1	WIRE, GROUNDING	
15	FF2 - 9779 - 000		1	VARISTOR	VZ1
16	FF5 - 1673 - 000		1	GUIDE, TRANSFORMER	
17	FF5 - 2870 - 000		1	ELIMINATOR, STATIC CHARGE	
17 A	FA9 - 3063 - 000		1	BUSHING	
17 B	FB2 - 5153 - 000		1	FILM, STATIC ELIMINATOR	
18	FF5 - 2871 - 020		1	ROLLER, TRANSFER	
18 A	FS5 - 2335 - 000		1	SPRING, COMPRESSION	
19	FF5 - 3713 - 000		1	ELIMINATOR, STATIC CHARGE	
20	FS5 - 2774 - 000		4	SPRING, COMPRESSION	
21	FS5 - 2784 - 000		4	SPRING, COMPRESSION	
22	VR5 - 2650 - 103		4	RESISTOR, 10KOHM, 1/2W	
23	XA9 - 0187 - 000		1	SCREW, M3X6	
501	XB1 - 2300 - 607		2	SCREW, MACH., TRUSS HEAD, M3X6	
502	XB4 - 7300 - 809		4	SCREW, TAPPING, TRUSS HEAD, M3X8	
503	XB4 - 7301 - 209		2	SCREW, TAPPING, TRUSS HEAD, M3X12	

FIGURE & KEY NO.	PART NUMBER	R A N K	Q' T Y	DESCRIPTION	SERIAL NUMBER / REMARKS
530 - 504	XD1 - 1103 - 635		2	SHIM	

FIGURE 810 FIXING ASSEMBLY

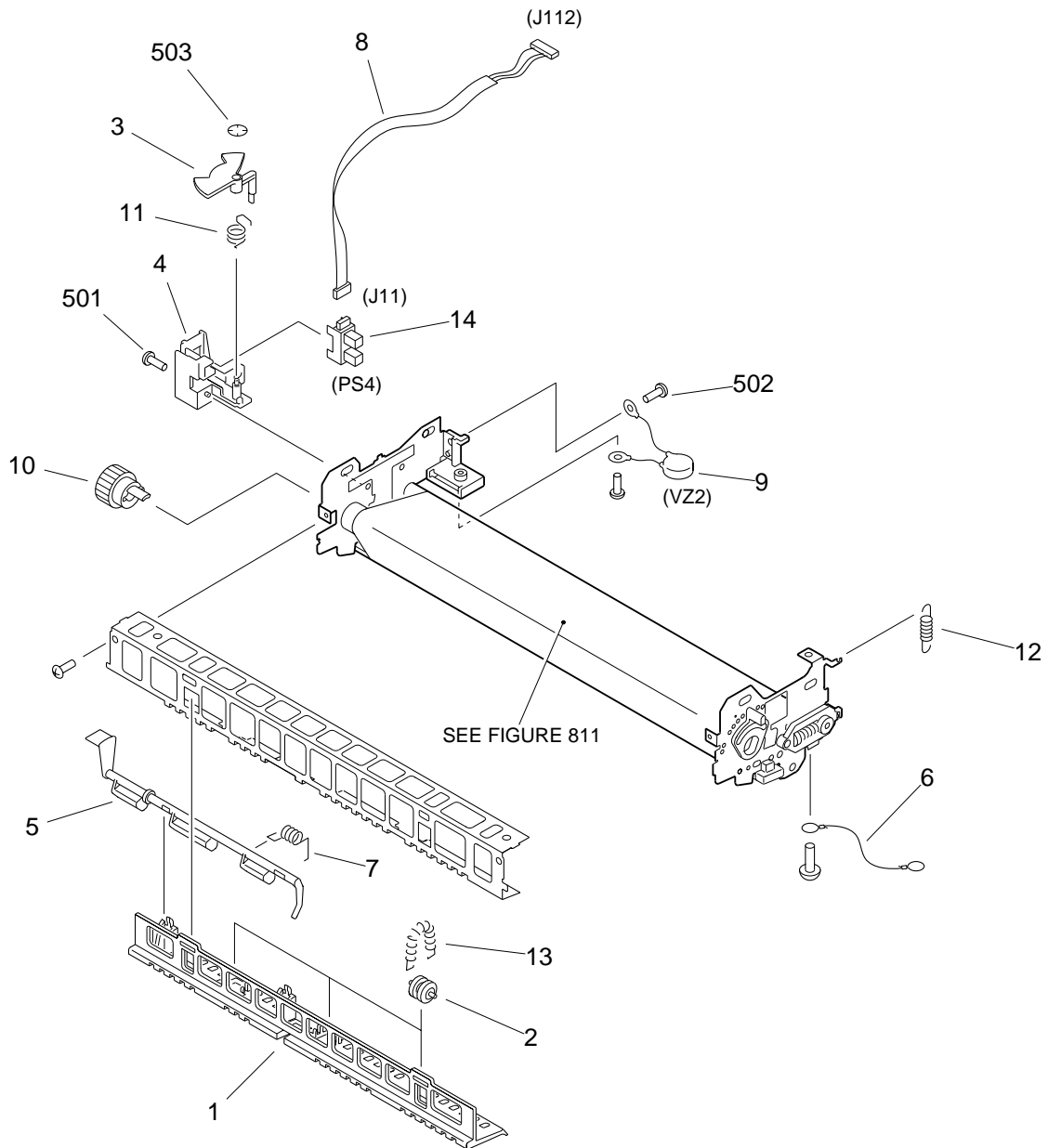


FIGURE & KEY NO.	PART NUMBER	R A N K	Q' T Y	DESCRIPTION	SERIAL NUMBER / REMARKS
810 -	FG5 - 3493 - 080		1	FIXING ASSEMBLY	
1	FB2 - 5015 - 000		1	GUIDE, UPPER, DELIVERY	
2	FB2 - 5016 - 000		3	ROLLER	
3	FB2 - 5019 - 020		1	FLAG, POSITIONING SENSOR	
4	FB2 - 5020 - 000		1	HOLDER, SENSOR	
5	FB2 - 5021 - 000		1	FLAG, PAPER SENSING	
6	FB2 - 5022 - 000		1	WIRE	
7	FB2 - 5070 - 000		1	SPRING, TORSION	
8	FF2 - 9733 - 000		1	CABLE, SENSOR	J11,112
9	FF2 - 9779 - 000		1	VARISTOR	VZ2
10	FS5 - 0914 - 000		1	GEAR, 17T	
11	FS5 - 2794 - 000		1	SPRING, TORSION	
12	FS5 - 2795 - 000		1	SPRING, TENSION	
13	FS5 - 2796 - 000		3	SPRING, TENSION	
14	WG8 - 5001 - 000		1	PHOTO-INTERRUPTER, TLP1231	PS4 J11
501	XB1 - 2300 - 409		6	SCREW,MACH.,TRUSS HEAD,M3X4	
502	XB2 - 6300 - 607		2	SCREW,W/WASHER,M3X6	
503	XD2 - 2300 - 202		1	RING,TOOTHED LOCK	

FIGURE 811 FIXING FILM REPLACEMENT KIT

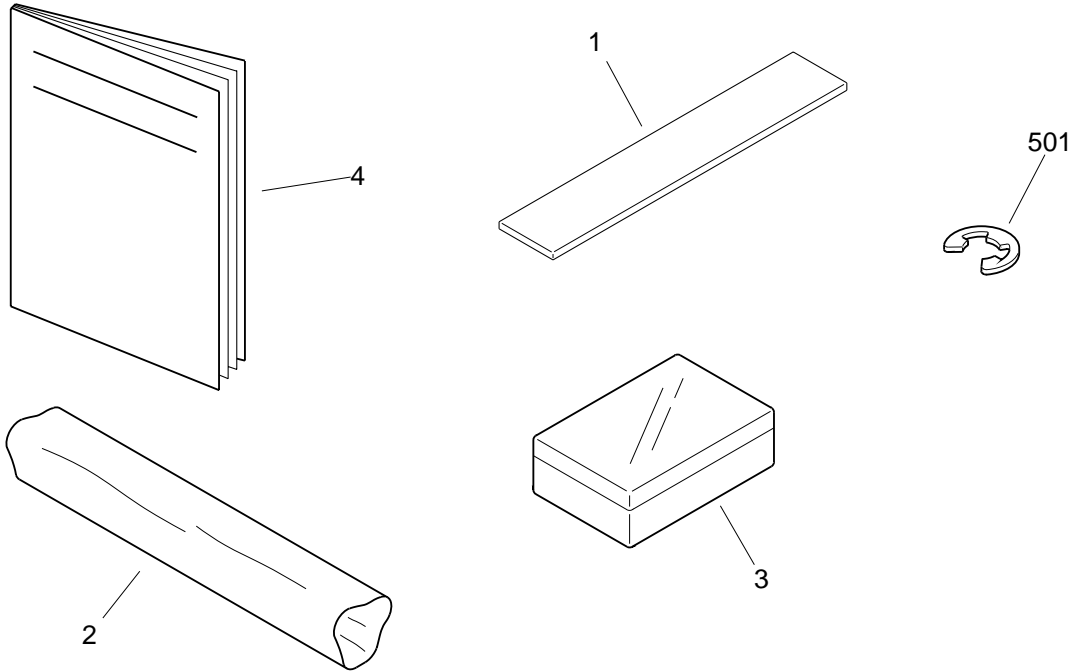


FIGURE & KEY NO.	PART NUMBER	RANK	QTY	DESCRIPTION	SERIAL NUMBER / REMARKS
811 -	FG5 - 3516 - 000		1	FIXING FILM REPLACEMENT KIT	10 SET/KIT
1	NPN		10	SPATULA	
2	NPN		10	FIXING FILM	
3	NPN		10	COATING GREASE	
4	NPN		1	FILM REPLACEMENT PROCEDURE	
501	XD2 - 1100 - 502		10	RING,E	

FIGURE 910 DC POWER SUPPLY ASSEMBLY

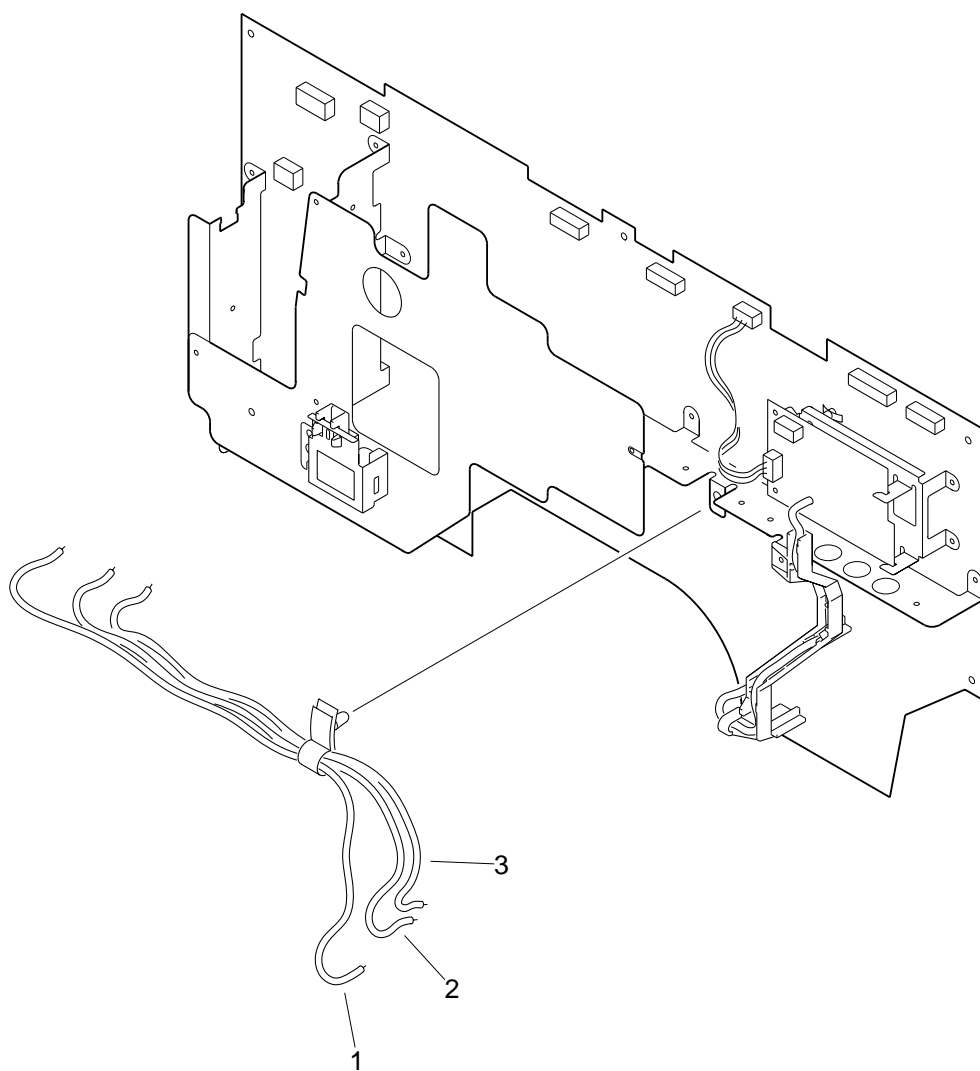
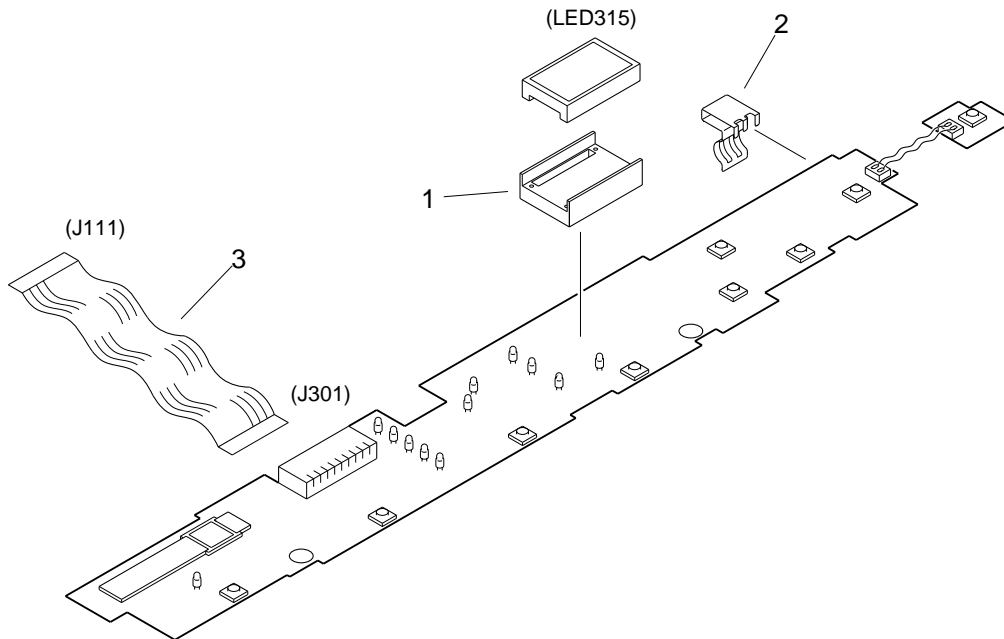


FIGURE & KEY NO.	PART NUMBER	RANK	QTY	DESCRIPTION	SERIAL NUMBER / REMARKS
910 -	FG5 - 3548 - 000		1	POWER SUPPLY PCB ASSEMBLY	
1	FF2 - 9772 - 000		1	CABLE, HIGH VOLTAGE, 1	
2	FF2 - 9773 - 000		1	CABLE, HIGH VOLTAGE, 2	
3	FF2 - 9774 - 000		1	CABLE, HIGH VOLTAGE, 3	
FU102	VD7 - 0642 - 001		1	FUSE	
J205	FF2 - 9775 - 000		1	CABLE, MOTOR	
L101	FH3 - 7184 - 000		1	CHORK COIL, HP-053J	
L301	FH3 - 7169 - 000		1	COIL, CHOKE	
L600	FH3 - 7195 - 000		1	CHOKE COIL, SN14-8000	
Q900	FF2 - 9849 - 000		1	HYBRID IC PCB ASSEMBLY	
R201	RH6 - 3069 - 000		1	RESISTOR, 40MOHM, 0.625W	
R225	FH4 - 9183 - 000		1	RESISTOR, 200MOHM, 1/8W	
R239	FH4 - 9163 - 000		1	RESISTOR, 2MOHM, 0.85W	
R243	FH4 - 9184 - 000		1	RESISTOR, 9.6MOHM, 1/10W	
R254	FH9 - 0367 - 000		1	RESISTOR, 100 OHM, 1W	
R332	RH6 - 3069 - 000		1	RESISTOR, 40MOHM, 0.625W	
R335	RH6 - 3069 - 000		1	RESISTOR, 40MOHM, 0.625W	
RL601	FH9 - 0466 - 000		1	RELAY	
T101	FH3 - 0731 - 000		1	TRANSFORMER, INVERTER	
T103	FH9 - 0473 - 000		1	TRANSFORMER	
T104	FH9 - 0479 - 000		1	TRANSFORMER	
T105	FH9 - 0474 - 000		1	TRANSFORMER	
T201	FH3 - 0569 - 000		1	TRANSFORMER, INVERTER	
T302	FH3 - 0734 - 000		1	TRANSFORMER, TR	
T401	FH3 - 0735 - 000		1	TRANSFORMER	
T508	RH3 - 0083 - 000		1	TRANSFORMER, PRIMARY	
T600	FH3 - 0733 - 000		1	TRANSFORMER, AC	

FIGURE 915 CONTROL PANEL PCB ASSEMBLY



NOTE1: This assembly is included in the assembly shown in Figure 130.
 NOTE2: This assembly does not include the part shown with key No.3.

FIGURE & KEY NO.	PART NUMBER	RANK	QTY	DESCRIPTION	SERIAL NUMBER / REMARKS
915 -	FG5 - 3529 - 000		1	CONTROL PANEL PCB ASSEMBLY	PC760 SEE NOTE 1
	FG5 - 3540 - 000		1	CONTROL PANEL PCB ASSEMBLY	PC780 SEE NOTE 1
	1 FB2 - 4900 - 000		1	SPACER	
2	FB2 - 4901 - 000		1	PLATE, GROUNDING	
3	FH2 - 6169 - 020		1	CABLE, FLAT	SEE NOTE 2 J111,301
LED315	FH7 - 3277 - 000		1	LED, 7 SEGMENT	

FIGURE 930 DC CONTROL PCB ASSEMBLY

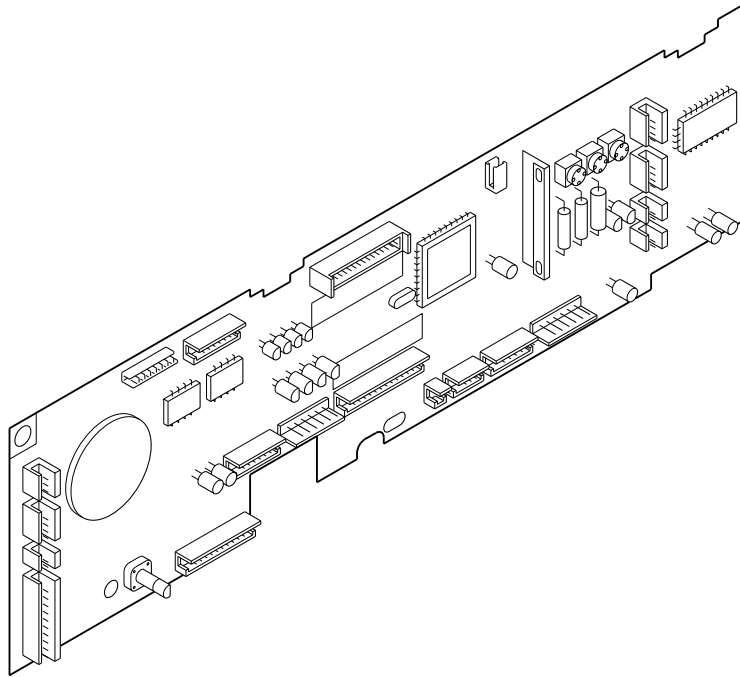


FIGURE & KEY NO.	PART NUMBER	RANK	QTY	DESCRIPTION	SERIAL NUMBER / REMARKS
930 -	FG5 - 6031 - 00S		1	DC CONTROLLER PCB ASSEMBLY	
Q101	FH4 - 1233 - 000		1	IC, HD6433041K14F, CPU	
Q133	FH9 - 0483 - 000		1	TRANSISTOR, 2SD1929	
Q143	FH9 - 0483 - 000		1	TRANSISTOR, 2SD1929	
Q144	FH9 - 0483 - 000		1	TRANSISTOR, 2SD1929	
Q145	FH9 - 0483 - 000		1	TRANSISTOR, 2SD1929	
X101	FH6 - 3494 - 000		1	OSCILLATOR, CRYSTAL	

FIGURE 940 NOISE FILTER PCB ASSEMBLY

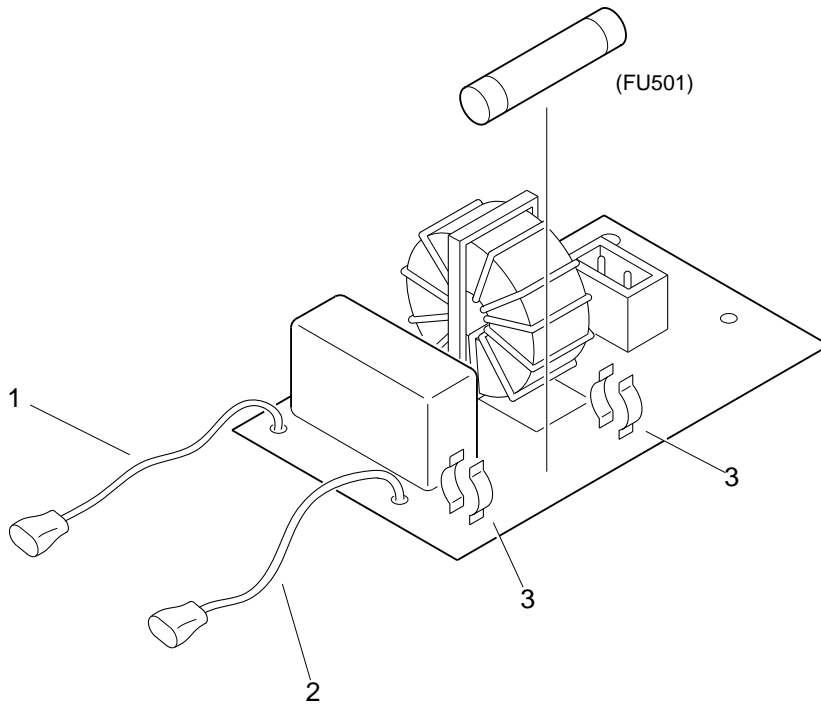


FIGURE & KEY NO.	PART NUMBER	RANK	QTY	DESCRIPTION	SERIAL NUMBER / REMARKS
940 -	FG5 - 3544 - 000		1	NOISE FILTER PCB ASSEMBLY	
1	FF2 - 9769 - 000		1	CABLE, INLET, 1	
2	FF2 - 9770 - 000		1	CABLE, INLET, 2	
3	WD9 - 5028 - 000		2	HOLDER, FUSE	
FU501	VD7 - 1506 - 301		1	FUSE, 250V	
L501	VL5 - 0390 - 086		1	NOISE FILTER	

FIGURE B LIST OF CONNECTORS(1/2)

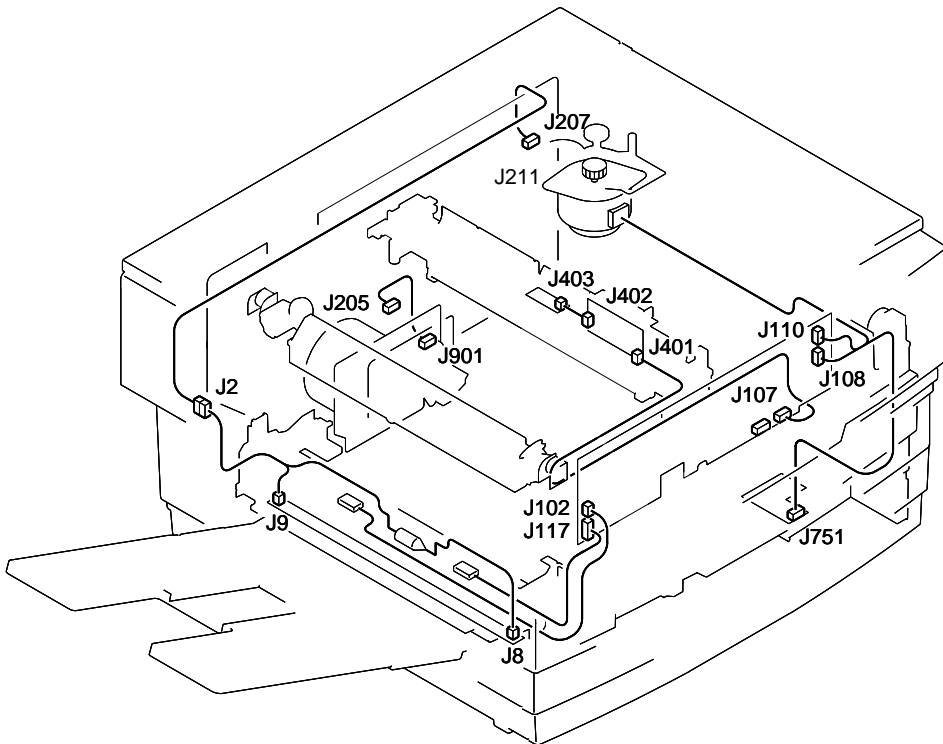
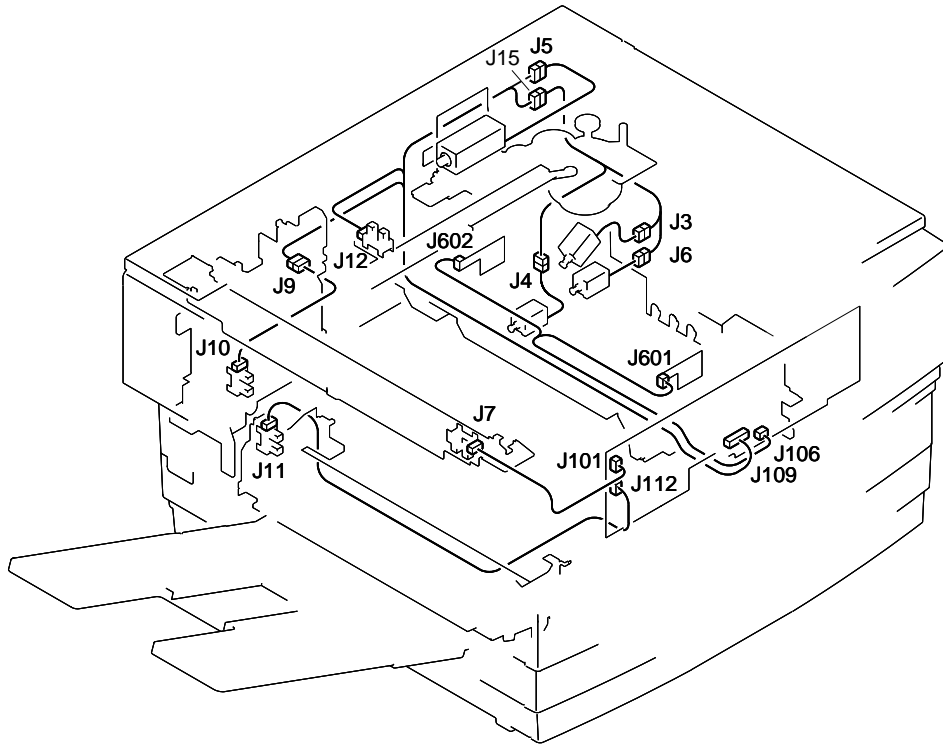


FIGURE B LIST OF CONNECTORS(2/2)

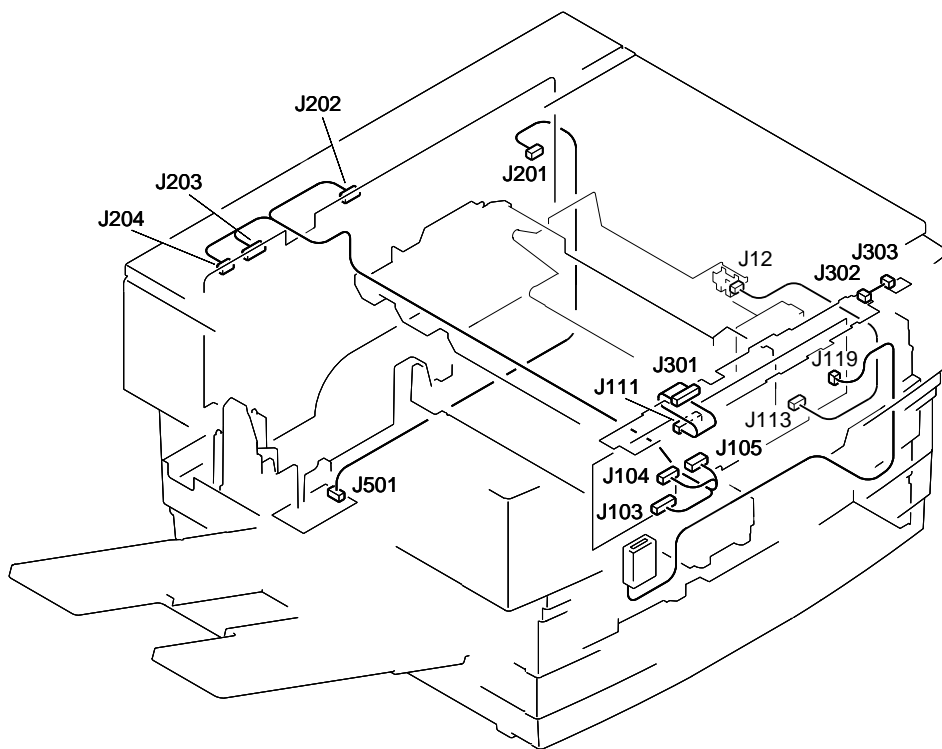


FIGURE & KEY NO.	PART NUMBER	RANK	QTY	DESCRIPTION	SERIAL NUMBER / REMARKS
B -	NPN		RF	LIST OF CONNECTORS	
J 2	WS3 - 5174 - 000		2	SOCKET CONTACT, 16-20AWG	
	WS3 - 5352 - 000		1	CONNECTOR, 2P, FEMALE	
	WS3 - 5353 - 000		1	CONNECTOR, 2P, MALE	
	WS3 - 5354 - 000		2	PIN CONTACT, 16-20AWG	
J 3	NPN			PAPER PICK-UP CLUTCH SOLENOID	SL1
	VS1 - 0842 - 002		1	CONNECTOR, 2P, FEMALE	
	VS1 - 5057 - 002		1	CONNECTOR, SNAP TIGHT	
J 4	NPN			REGIST. CLUTCH SOLENOID	SL2
	VS1 - 0842 - 002		1	CONNECTOR, 2P, FEMALE	
J 5	NPN			LENS DRIVE SOLENOID	SL3
	VS1 - 0842 - 002		1	CONNECTOR, 2P, FEMALE	
	VS1 - 5057 - 002		1	CONNECTOR, SNAP TIGHT	
J 6	NPN			MULTI FEED P. PICK-UP SOLENOID	PC780 SL4
	VS1 - 0842 - 003		1	CONNECTOR, 3P, FEMALE	PC780
	VS1 - 5057 - 003		1	CONNECTOR, SNAP TIGHT	PC780
J 7	NPN			SCANNER HOME POSITION SENSOR	PS1
	VS1 - 0842 - 003		1	CONNECTOR, 3P, FEMALE	
J 8	NPN			FIXING HEATER	H1
J 9	NPN			FIXING HEATER	H1
	FH2 - 5795 - 000		1	SOCKET CONTACT, 18-22AWG	
	FH2 - 5796 - 000		1	SLEEVE, CONTACT	
	FH2 - 5795 - 000		1	SOCKET CONTACT, 18-22AWG	
	FH2 - 5796 - 000		1	SLEEVE, CONTACT	
J 10	NPN			PAPER DELIVERY SENSOR	PS3
	VS1 - 0842 - 003		2	CONNECTOR, 3P, FEMALE	
	VS1 - 5057 - 003		1	CONNECTOR, SNAP TIGHT	
	VS1 - 0842 - 003		1	CONNECTOR, 3P, FEMALE	
J 11	NPN			FIXING FILM SENSOR	PS4

FIGURE & KEY NO.	PART NUMBER	RANK	QTY	DESCRIPTION	SERIAL NUMBER / REMARKS
B - J 1 1	VS1 - 0842 - 003		1	CONNECTOR, 3P, FEMALE	
J 1 2	NPN			LENS HOME POSITION SENSOR	PS2
	VS1 - 0842 - 003		1	CONNECTOR, 3P, FEMALE	
	NPN			RIGHT RAIL SENSOR	PC760 PS7
	VS1 - 0842 - 003		1	CONNECTOR, 3P, FEMALE	PC760
J 1 5	VS1 - 0842 - 006		2	CONNECTOR, 6P, FEMALE	
	VS1 - 5057 - 006		1	CONNECTOR, SNAP TIGHT	
J 1 0 1	PCB			DC CONTROLLER	
	VS1 - 0842 - 003		1	CONNECTOR, 3P, FEMALE	
J 1 0 2	PCB			DC CONTROLLER	
J 1 0 3	NPN			CENTER FIXING THERMISTOR	TH1
	PCB			DC CONTROLLER	
	VS1 - 0842 - 012		1	CONNECTOR, 12P, FEMALE	
J 1 0 4	PCB			DC CONTROLLER	
	VS1 - 0842 - 007		1	CONNECTOR, 7P, FEMALE	
J 1 0 5	PCB			DC CONTROLLER	
	VS1 - 0279 - 006		1	CONNECTOR, 6P, FEMALE	
	WS3 - 0437 - 000		6	SOCKET CONTACT, 20-30AWG	
J 1 0 6	PCB			DC CONTROLLER	
	VS1 - 5824 - 002		1	CONNECTOR, 2P, FEMALE	
J 1 0 7	WS3 - 5358 - 000		2	SOCKET CONTACT, 22-26AWG	
	PCB			DC CONTROLLER	
	VS1 - 0279 - 005		1	CONNECTOR, 5P, FEMALE	
	WS3 - 0437 - 000		5	SOCKET CONTACT, 20-30AWG	
J 1 0 8	PCB			DC CONTROLLER	
J 1 0 9	VS1 - 0842 - 007		1	CONNECTOR, 7P, FEMALE	
	PCB			DC CONTROLLER	
	VS1 - 0842 - 014		1	CONNECTOR, 14P, FEMALE	
J 1 1 0	PCB			DC CONTROLLER	
	NPN			SCANNER MOTOR	M2

FIGURE & KEY NO.	PART NUMBER	RANK	QTY	DESCRIPTION	SERIAL NUMBER / REMARKS
B - J 1 1 1	PCB			DC CONTROLLER	
	FH2 - 6169 - 020		1	CABLE, FLAT	
J 1 1 2	PCB			DC CONTROLLER	
	VS1 - 0842 - 004		1	CONNECTOR, 4P, FEMALE	
J 1 1 3	PCB			DC CONTROLLER	PC760

	VS1 - 0842 - 003		1	CONNECTOR, 3P, FEMALE	PC760
J 1 1 7	PCB			DC CONTROLLER	
	NPN			FIXING SIDE THERMISTOR	TH2
J 1 1 9	PCB			DC CONTROLLER	
	NPN			TOTAL COUNTER	CNT1

J 2 0 1	PCB			DC POWER SUPPLY	
	WS3 - 5174 - 000		2	SOCKET CONTACT, 16-20AWG	
	WS3 - 5175 - 000		1	CONNECTOR, 2P, FEMALE	
J 2 0 2	PCB			DC POWER SUPPLY	
	VS3 - 5083 - 006		1	CONNECTOR, 6P, FEMALE	

	WS3 - 5160 - 000		6	SOCKET CONTACT, 18-24AWG	
J 2 0 3	PCB			DC POWER SUPPLY	
	VS1 - 0842 - 012		1	CONNECTOR, 12P, FEMALE	
J 2 0 4	PCB			DC POWER SUPPLY	
	VS1 - 0842 - 007		1	CONNECTOR, 7P, FEMALE	

J 2 0 5	PCB			DC POWER SUPPLY	
	VS1 - 0861 - 006		1	CONNECTOR, 6P, MALE	
J 2 0 6	PCB			DC POWER SUPPLY	
	VS1 - 0279 - 006		1	CONNECTOR, 6P, FEMALE	
	WS3 - 0437 - 000		4	SOCKET CONTACT, 20-30AWG	

J 2 0 7	PCB			DC POWER SUPPLY	
	WS3 - 5174 - 000		2	SOCKET CONTACT, 16-20AWG	
	WS3 - 5175 - 000		1	CONNECTOR, 2P, FEMALE	
J 3 0 1	PCB			CONTROL PANEL	
	FH2 - 6169 - 020		1	CABLE, FLAT	

FIGURE & KEY NO.	PART NUMBER	RANK	QTY	DESCRIPTION	SERIAL NUMBER / REMARKS
B - J 3 0 2	PCB			CONTROL PANEL	
	VS1 - 0978 - 002		1	CONNECTOR, 2P, MALE	
J 3 0 3	PCB			CONTROL PANEL	
	VS1 - 0978 - 002		1	CONNECTOR, 2P, MALE	
J 4 0 1	PCB			INTENSITY / AE SENSOR	
	VS1 - 0279 - 005		1	CONNECTOR, 5P, FEMALE	
	WS3 - 0437 - 000		5	SOCKET CONTACT, 20-30AWG	
J 4 0 2	PCB			INTENSITY / AE SENSOR	
	VS1 - 0978 - 002		1	CONNECTOR, 2P, MALE	
J 4 0 3	PCB			INTENSITY / AE SENSOR	
	VS1 - 0978 - 002		1	CONNECTOR, 2P, MALE	
J 5 0 1	PCB			NOISE FILTER	
	WS3 - 5174 - 000		2	SOCKET CONTACT, 16-20AWG	
	WS3 - 5175 - 000		1	CONNECTOR, 2P, FEMALE	
J 6 0 1	PCB			SIDE BLANK	
	VS1 - 5824 - 002		1	CONNECTOR, 2P, FEMALE	
	WS3 - 5358 - 000		2	SOCKET CONTACT, 22-26AWG	
J 6 0 2	PCB			SIDE BLANK	
	VS1 - 5824 - 002		1	CONNECTOR, 2P, FEMALE	
	WS3 - 5358 - 000		2	SOCKET CONTACT, 22-26AWG	
J 7 5 1	PCB			SENSOR BOARD	
	VS1 - 0842 - 007		1	CONNECTOR, 7P, FEMALE	
J 9 0 1	NPN			MAIN MOTOR	M1
	VS1 - 0842 - 006		1	CONNECTOR, 6P, FEMALE	

D NUMERICAL INDEX

PART NUMBER	FIGURE & KEY NO.	PART NUMBER	FIGURE & KEY NO.	PART NUMBER	FIGURE & KEY NO.
FA4 - 1159 - 000	340 - 1	FB2 - 4864 - 000	300 - 3	FB2 - 5392 - 020	102 - 4 4
FA9 - 2568 - 000	102 - 1	FB2 - 4866 - 020	101 - 2 1	FB2 - 5403 - 020	300 - 4
FA9 - 3063 - 000	530 - 1 7 A	FB2 - 4867 - 000	101 - 2 2	FB2 - 5407 - 020	300 - 5
FA9 - 3065 - 000	400 - 1	FB2 - 4870 - 000	101 - 2 3	FB2 - 5408 - 000	300 - 6
FA9 - 3066 - 000	101 - 1	FB2 - 4871 - 000	101 - 2 4	FB2 - 5410 - 000	300 - 7
FA9 - 3070 - 000	101 - 2	FB2 - 4872 - 000	101 - 2 5	FB2 - 5413 - 000	300 - 8
FA9 - 3102 - 000	160 - 1	FB2 - 4873 - 000	101 - 2 6	FB2 - 5423 - 000	160 - 3
FB1 - 0624 - 000	100 - 1	FB2 - 4874 - 000	101 - 2 7	FB2 - 5424 - 000	160 - 4
FB1 - 0715 - 000	400 - 2 0 A	FB2 - 4875 - 000	101 - 2 8	FB2 - 5427 - 020	100 - 1 8
FB1 - 7267 - 000	102 - 2	FB2 - 4877 - 000	101 - 2 9	FB2 - 5500 - 000	100 - 1 9
FB1 - 7270 - 000	102 - 3	FB2 - 4879 - 000	101 - 3 0	FB2 - 5501 - 030	101 - 3 6
FB1 - 7275 - 000	102 - 4	FB2 - 4883 - 000	130 - 1	FB2 - 5502 - 000	100 - 2 0
FB1 - 7283 - 000	100 - 2	FB2 - 4884 - 000	130 - 2	FB2 - 5507 - 000	100 - 3 5 B
FB1 - 7295 - 000	100 - 3 2 A	FB2 - 4900 - 000	915 - 1	FB3 - 0623 - 000	101 - 3 7
FB1 - 7403 - 000	100 - 3	FB2 - 4901 - 000	915 - 2	FB3 - 0629 - 000	230 - 3
FB1 - 7425 - 000	530 - 1	FB2 - 4906 - 000	101 - 3 1	FB3 - 0733 - 000	102 - 4 5
FB1 - 7427 - 000	530 - 2	FB2 - 4927 - 000	230 - 2	FB3 - 0736 - 030	101 - 3 8
FB1 - 7431 - 000	530 - 3	FB2 - 4928 - 020	102 - 8	FB4 - 1088 - 00S	100 - 2 1
FB1 - 8581 - 000	340 - 2	FB2 - 4929 - 000	102 - 9	FB4 - 1091 - 00S	300 - 9
FB1 - 8835 - 000	100 - 4	FB2 - 4930 - 000	102 - 1 0	FB4 - 1096 - 00S	100 - 2 2
FB1 - 8870 - 000	160 - 2	FB2 - 4933 - 000	102 - 1 1	FB4 - 1097 - 00S	100 - 2 3
FB1 - 9766 - 000	100 - 5	FB2 - 4939 - 000	530 - 6	FB4 - 1109 - 00S	100 - 2 4
FB2 - 2559 - 000	300 - 1	FB2 - 4942 - 000	101 - 3 2	FB4 - 1188 - 00S	130 - 3
FB2 - 4603 - 000	101 - 3	FB2 - 4943 - 000	101 - 3 3	FB4 - 1189 - 00S	130 - 3
FB2 - 4606 - 000	100 - 6	FB2 - 5015 - 000	810 - 1	FB4 - 1194 - 00S	101 - 3 9
FB2 - 4607 - 000	100 - 7	FB2 - 5016 - 000	810 - 2	FB4 - 1195 - 00S	100 - 2 5
FB2 - 4610 - 000	101 - 4	FB2 - 5019 - 020	810 - 3	FB4 - 1196 - 00S	100 - 2 6
FB2 - 4611 - 000	101 - 5	FB2 - 5020 - 000	810 - 4	FB4 - 1197 - 00S	100 - 2 7
FB2 - 4612 - 000	101 - 6	FB2 - 5021 - 000	810 - 5	FB4 - 1251 - 00S	100 - 2 8
FB2 - 4613 - 000	101 - 7	FB2 - 5022 - 000	810 - 6	FB4 - 1256 - 00S	130 - 4
FB2 - 4614 - 000	101 - 8	FB2 - 5029 - 020	102 - 1 2	FB4 - 1257 - 00S	130 - 5
FB2 - 4616 - 000	220 - 1	FB2 - 5030 - 000	102 - 1 3	FB4 - 1260 - 00S	100 - 2 9
	401 - 1	FB2 - 5031 - 000	102 - 1 4	FB4 - 1261 - 00S	100 - 3 0
FB2 - 4622 - 020	101 - 9	FB2 - 5032 - 000	102 - 1 5	FB4 - 1265 - 000	130 - 6
FB2 - 4626 - 000	101 - 1 0	FB2 - 5033 - 000	102 - 1 6	FB4 - 1266 - 000	130 - 6
FB2 - 4627 - 000	101 - 1 1	FB2 - 5034 - 000	102 - 1 7	FB4 - 1268 - 00S	100 - 3 1
FB2 - 4628 - 000	101 - 1 2	FB2 - 5040 - 000	102 - 1 8	FB4 - 1269 - 00S	100 - 3 1
FB2 - 4629 - 000	101 - 1 3	FB2 - 5041 - 000	102 - 1 9	FF2 - 9724 - 000	230 - 4
FB2 - 4650 - 000	400 - 2	FB2 - 5042 - 000	102 - 2 0	FF2 - 9725 - 000	230 - 5
FB2 - 4651 - 000	400 - 3	FB2 - 5052 - 000	240 - 1	FF2 - 9726 - 000	230 - 6
FB2 - 4652 - 000	400 - 4	FB2 - 5053 - 000	101 - 3 4	FF2 - 9727 - 000	230 - 7
FB2 - 4653 - 000	400 - 5	FB2 - 5054 - 000	100 - 9	FF2 - 9728 - 000	400 - 1 8
FB2 - 4654 - 000	400 - 6	FB2 - 5055 - 000	100 - 1 0	FF2 - 9729 - 000	400 - 1 9
FB2 - 4655 - 000	400 - 7	FB2 - 5058 - 000	101 - 4 7 A	FF2 - 9730 - 000	101 - 4 0
FB2 - 4658 - 020	400 - 8	FB2 - 5059 - 000	101 - 3 5	FF2 - 9731 - 000	450 - 3
FB2 - 4659 - 020	400 - 9	FB2 - 5060 - 000	102 - 2 1	FF2 - 9732 - 000	101 - 4 1
FB2 - 4660 - 000	400 - 1 0	FB2 - 5070 - 000	810 - 7	FF2 - 9733 - 000	810 - 8
FB2 - 4662 - 020	400 - 1 1	FB2 - 5153 - 000	530 - 1 7 B	FF2 - 9760 - 000	101 - 4 2
FB2 - 4663 - 020	400 - 1 2	FB2 - 5156 - 000	530 - 7	FF2 - 9762 - 000	530 - 1 0
FB2 - 4664 - 000	400 - 1 3	FB2 - 5159 - 000	530 - 8	FF2 - 9763 - 000	530 - 1 1
FB2 - 4665 - 000	400 - 1 4	FB2 - 5161 - 030	102 - 2 2	FF2 - 9764 - 000	530 - 1 2
FB2 - 4666 - 030	400 - 1 5	FB2 - 5162 - 000	102 - 2 3	FF2 - 9765 - 000	530 - 1 3
FB2 - 4667 - 020	400 - 1 6	FB2 - 5163 - 000	102 - 2 4	FF2 - 9766 - 000	530 - 1 4
FB2 - 4669 - 000	400 - 1 7	FB2 - 5164 - 000	102 - 2 5	FF2 - 9769 - 000	940 - 1
	401 - 2	FB2 - 5169 - 000	530 - 9	FF2 - 9770 - 000	940 - 2
FB2 - 4676 - 000	401 - 3	FB2 - 5182 - 000	102 - 2 6	FF2 - 9772 - 000	910 - 1
FB2 - 4677 - 020	401 - 4	FB2 - 5183 - 000	102 - 3 1	FF2 - 9773 - 000	910 - 2
FB2 - 4678 - 020	401 - 5	FB2 - 5198 - 000	250 - 1	FF2 - 9774 - 000	910 - 3
FB2 - 4691 - 000	101 - 1 4	FB2 - 5199 - 000	250 - 2	FF2 - 9775 - 000	910 - J 2 0 5
FB2 - 4694 - 020	402 - 1	FB2 - 5213 - 000	100 - 1 1	FF2 - 9777 - 000	102 - 4 6
FB2 - 4695 - 030	402 - 2	FB2 - 5214 - 020	100 - 1 2	FF2 - 9779 - 000	530 - 1 5
FB2 - 4701 - 020	220 - 2	FB2 - 5215 - 020	100 - 1 3		810 - 9
FB2 - 4702 - 000	220 - 3	FB2 - 5216 - 000	100 - 1 4	FF2 - 9787 - 000	101 - 4 3
FB2 - 4703 - 000	220 - 4	FB2 - 5217 - 000	100 - 1 5	FF2 - 9789 - 000	102 - 4 7
FB2 - 4704 - 000	220 - 5	FB2 - 5221 - 000	102 - 2 7	FF2 - 9799 - 000	101 - 4 4
FB2 - 4734 - 000	101 - 1 5	FB2 - 5222 - 020	102 - 2 8	FF2 - 9849 - 000	910 - Q 9 0 0
FB2 - 4736 - 000	101 - 1 6	FB2 - 5223 - 000	102 - 2 9	FF5 - 1673 - 000	530 - 1 6
FB2 - 4759 - 000	450 - 1	FB2 - 5224 - 000	102 - 3 0	FF5 - 2858 - 000	102 - 4 8
FB2 - 4760 - 000	450 - 2	FB2 - 5240 - 020	100 - 1 6	FF5 - 2859 - 000	101 - 4 5
FB2 - 4771 - 000	101 - 1 7	FB2 - 5245 - 000	100 - 1 7	FF5 - 2860 - 000	450 - 4
FB2 - 4773 - 000	101 - 1 8	FB2 - 5247 - 000	100 - 3 3 A	FF5 - 2861 - 020	450 - 5
FB2 - 4780 - 000	102 - 5	FB2 - 5266 - 000	102 - 3 1	FF5 - 2867 - 020	101 - 4 6
FB2 - 4781 - 000	102 - 6	FB2 - 5275 - 000	251 - 1	FF5 - 2870 - 000	530 - 1 7
FB2 - 4782 - 000	102 - 7	FB2 - 5301 - 000	102 - 3 2	FF5 - 2871 - 020	530 - 1 8
FB2 - 4785 - 000	100 - 8	FB2 - 5304 - 000	102 - 3 3	FF5 - 2872 - 000	102 - 4 9
FB2 - 4790 - 020	100 - 3 5 A	FB2 - 5305 - 000	102 - 3 4	FF5 - 2874 - 000	250 - 3
FB2 - 4791 - 000	100 - 3 6 A	FB2 - 5309 - 000	102 - 3 5	FF5 - 2875 - 000	100 - 3 2
FB2 - 4792 - 000	101 - 1 9	FB2 - 5310 - 000	102 - 3 6	FF5 - 2887 - 000	230 - 8
FB2 - 4793 - 000	100 - 3 6 B	FB2 - 5311 - 000	102 - 3 7	FF5 - 2888 - 000	230 - 9
FB2 - 4794 - 000	100 - 3 6 C	FB2 - 5380 - 030	102 - 3 8	FF5 - 2889 - 000	400 - 2 0
FB2 - 4840 - 000	101 - 2 0	FB2 - 5381 - 000	102 - 3 9	FF5 - 2892 - 000	100 - 3 3
FB2 - 4854 - 000	230 - 1	FB2 - 5382 - 000	102 - 4 0	FF5 - 2893 - 000	100 - 3 4
FB2 - 4861 - 000	530 - 4	FB2 - 5383 - 020	102 - 4 1	FF5 - 2899 - 000	401 - 6
FB2 - 4862 - 000	530 - 5	FB2 - 5385 - 000	102 - 4 2	FF5 - 2900 - 000	401 - 7
FB2 - 4863 - 000	300 - 2	FB2 - 5388 - 000	102 - 4 3	FF5 - 2901 - 000	402 - 3

D NUMERICAL INDEX

PART NUMBER	FIGURE & KEY NO.	PART NUMBER	FIGURE & KEY NO.	PART NUMBER	FIGURE & KEY NO.
FF5 - 2902 - 000	402 - 4	FS5 - 0896 - 000	251 - 4	VS1 - 0842 - 004	B - J 112
FF5 - 2903 - 000	300 - 10	FS5 - 0897 - 000	251 - 5	VS1 - 0842 - 006	B - J 15
FF5 - 3713 - 000	530 - 19	FS5 - 0898 - 000	101 - 50		B - J 901
FF5 - 3714 - 000	102 - 50	FS5 - 0900 - 000	250 - 5	VS1 - 0842 - 007	B - J 104
FF5 - 3715 - 000	102 - 50	FS5 - 0903 - 000	102 - 60		B - J 108
FF5 - 3716 - 000	101 - 47	FS5 - 0905 - 000	230 - 11		B - J 204
FF5 - 3718 - 040	100 - 35	FS5 - 0906 - 000	230 - 12		B - J 751
FF5 - 3728 - 000	100 - 36	FS5 - 0907 - 000	230 - 13	VS1 - 0842 - 012	B - J 103
FF5 - 6740 - 00S	300 - 11	FS5 - 0908 - 000	230 - 14		B - J 203
FF9 - 1504 - 000	102 - 51	FS5 - 0911 - 000	240 - 2	VS1 - 0842 - 014	B - J 109
FG5 - 3463 - 000	401 -	FS5 - 0912 - 000	240 - 3	VS1 - 0861 - 006	B - J 205
FG5 - 3464 - 000	402 -	FS5 - 0913 - 020	102 - 61	VS1 - 0978 - 002	B - J 302
FG5 - 3465 - 040	220 -	FS5 - 0914 - 000	810 - 10		B - J 303
FG5 - 3471 - 020	450 -	FS5 - 0915 - 000	102 - 62		B - J 402
FG5 - 3476 - 000	230 -	FS5 - 0917 - 000	220 - 8		B - J 403
FG5 - 3493 - 080	810 -	FS5 - 0918 - 000	220 - 9	VS1 - 5057 - 002	102 - 79
FG5 - 3501 - 000	240 -	FS5 - 0919 - 000	220 - 10		102 - 80
FG5 - 3506 - 000	530 -	FS5 - 1438 - 000	102 - 63		220 - 13
FG5 - 3511 - 000	250 -	FS5 - 1439 - 000	220 - 11		B - J 3
FG5 - 3516 - 000	811 -	FS5 - 1440 - 000	102 - 64		B - J 4
FG5 - 3518 - 000	251 -	FS5 - 2032 - 000	400 - 24		B - J 5
FG5 - 3529 - 000	915 -	FS5 - 2335 - 000	530 - 18 A	VS1 - 5057 - 003	101 - 55
FG5 - 3531 - 000	340 -	FS5 - 2351 - 000	102 - 65		102 - 81
FG5 - 3532 - 000	160 -	FS5 - 2767 - 000	102 - 66		B - J 6
FG5 - 3540 - 000	915 -	FS5 - 2769 - 000	100 - 37		B - J 9
FG5 - 3541 - 000	400 - 21	FS5 - 2770 - 000	100 - 38	VS1 - 5057 - 006	220 - 14
FG5 - 3542 - 000	450 - 4 A	FS5 - 2771 - 000	102 - 67		B - J 15
FG5 - 3544 - 000	940 -	FS5 - 2772 - 000	102 - 68	VS1 - 5824 - 002	B - J 106
FG5 - 3546 - 000	450 - 5 A		102 - 69		B - J 601
FG5 - 3548 - 000	910 -	FS5 - 2773 - 000	102 - 70		B - J 602
FG5 - 3549 - 000	102 - 52	FS5 - 2774 - 000	530 - 20	VS3 - 5083 - 006	B - J 202
FG5 - 3550 - 000	101 - 48	FS5 - 2775 - 000	251 - 6	WD9 - 5028 - 000	940 - 3
FG5 - 6031 - 00S	930 -	FS5 - 2776 - 000	100 - 39	WE8 - 5093 - 000	102 - 82
FG6 - 0136 - 00S	130 -	FS5 - 2778 - 000	102 - 71	WG8 - 5001 - 000	101 - 56
FG6 - 0138 - 00S	130 -	FS5 - 2780 - 000	300 - 12		101 - 57
FG6 - 0143 - 00S	400 -	FS5 - 2781 - 020	300 - 13		101 - 58
FH2 - 5761 - 000	102 - 53	FS5 - 2782 - 000	300 - 14		810 - 14
FH2 - 5795 - 000	B - J 8	FS5 - 2783 - 000	102 - 72	WG8 - 5187 - 000	101 - 59
	B - J 9	FS5 - 2784 - 000	530 - 21	WS3 - 0437 - 000	B - J 105
FH2 - 5796 - 000	B - J 8	FS5 - 2785 - 000	230 - 15		B - J 107
	B - J 9	FS5 - 2786 - 000	240 - 4		B - J 206
FH2 - 6169 - 020	915 - 3	FS5 - 2787 - 000	450 - 6		B - J 401
	B - J 111	FS5 - 2788 - 000	450 - 7	WS3 - 5160 - 000	B - J 202
	B - J 301	FS5 - 2790 - 000	450 - 8	WS3 - 5174 - 000	B - J 2
FH3 - 0569 - 000	910 - T 201	FS5 - 2794 - 000	810 - 11		B - J 201
FH3 - 0731 - 000	910 - T 101	FS5 - 2795 - 000	810 - 12		B - J 207
FH3 - 0733 - 000	910 - T 600	FS5 - 2796 - 000	810 - 13		B - J 501
FH3 - 0734 - 000	910 - T 302	FS5 - 2797 - 000	101 - 51	WS3 - 5175 - 000	B - J 201
FH3 - 0735 - 000	910 - T 401	FS5 - 2798 - 000	102 - 73		B - J 207
FH3 - 7169 - 000	910 - L 301	FS5 - 2799 - 000	102 - 74		B - J 501
FH3 - 7184 - 000	910 - L 101	FS5 - 2800 - 000	102 - 75	WS3 - 5352 - 000	B - J 2
FH3 - 7195 - 000	910 - L 600	FS5 - 2802 - 000	101 - 52	WS3 - 5353 - 000	B - J 2
FH4 - 1233 - 000	930 - Q 101	FS5 - 2803 - 020	101 - 53	WS3 - 5354 - 000	B - J 2
FH4 - 9163 - 000	910 - R 239	FS5 - 2804 - 000	102 - 76	WS3 - 5358 - 000	B - J 106
FH4 - 9183 - 000	910 - R 225	FS5 - 2805 - 000	102 - 77		B - J 601
FH4 - 9184 - 000	910 - R 243	FS5 - 2806 - 000	102 - 78		B - J 602
FH6 - 1076 - 000	230 - 10	FS5 - 2810 - 000	300 - 15	WT2 - 5041 - 000	101 - 48 A
FH6 - 1079 - 000	220 - 6	FS5 - 2815 - 000	400 - 25		101 - 60
FH6 - 3494 - 000	930 - X 101	FS5 - 2821 - 000	220 - 12		101 - 61
FH7 - 3272 - 000	400 - 22	FS5 - 6288 - 000	101 - 54		102 - 83
FH7 - 3277 - 000	915 - LED3 15	FS5 - 6393 - 000	230 - 16		450 - 3 A
FH7 - 5564 - 000	220 - 7	RH3 - 0083 - 000	910 - T 508	XA9 - 0187 - 000	101 - 62
FH7 - 5627 - 000	102 - 54	RH6 - 3069 - 000	910 - R 201		220 - 15
FH7 - 5628 - 000	102 - 55		910 - R 332		530 - 23
FH7 - 6216 - 000	102 - 56		910 - R 335	XA9 - 0650 - 000	101 - 63
FH9 - 0367 - 000	910 - R 254	VD7 - 0642 - 001	910 - FU 102	XA9 - 0760 - 000	100 - 40
FH9 - 0466 - 000	910 - RL 601	VD7 - 1506 - 301	940 - FU 501		101 - 64
FH9 - 0473 - 000	910 - T 103	VL5 - 0390 - 086	940 - L 501		220 - 16
FH9 - 0474 - 000	910 - T 105	VR5 - 2650 - 103	530 - 22		230 - 17
FH9 - 0479 - 000	910 - T 104	VS1 - 0279 - 005	B - J 107		230 - 18
FH9 - 0483 - 000	930 - Q 133		B - J 401	XA9 - 0762 - 000	100 - 41
	930 - Q 143		B - J 105		101 - 65
	930 - Q 144	VS1 - 0279 - 006	B - J 206	XA9 - 0763 - 000	102 - 84
	930 - Q 145		B - J 3	XA9 - 0794 - 000	101 - 66
FN5 - 4018 - 000	400 - 23	VS1 - 0842 - 002	B - J 4	XA9 - 0813 - 000	101 - 67
FN5 - 4019 - 000	401 - 8		B - J 5	XA9 - 0911 - 000	400 - 26
FN5 - 4020 - 000	402 - 5	VS1 - 0842 - 003	B - J 6		401 - 9
FN5 - 4021 - 000	101 - 49		B - J 7		402 - 6
FS5 - 0883 - 000	102 - 57		B - J 9	XB1 - 2300 - 409	102 - 501
FS5 - 0885 - 000	102 - 58		B - J 10		102 - 502
FS5 - 0887 - 000	102 - 59		B - J 11		220 - 501
FS5 - 0890 - 000	250 - 4		B - J 12		300 - 501
FS5 - 0893 - 000	102 - 59		B - J 12		810 - 501
FS5 - 0894 - 000	251 - 2		B - J 101	XB1 - 2300 - 607	530 - 501
FS5 - 0895 - 000	251 - 3		B - J 113	XB1 - 2300 - 609	101 - 501

D NUMERICAL INDEX

PART NUMBER	FIGURE & KEY NO.	PART NUMBER	FIGURE & KEY NO.	PART NUMBER	FIGURE & KEY NO.
XB1 - 2300 - 609	230 - 501				
	400 - 501				
	402 - 501				
XB1 - 2300 - 809	402 - 502				
XB1 - 2400 - 609	230 - 502				
XB2 - 6300 - 607	810 - 502				
XB2 - 7300 - 607	101 - 502				
	102 - 503				
	102 - 504				
XB2 - 8300 - 607	102 - 505				
	400 - 502				
XB4 - 7300 - 509	300 - 502				
XB4 - 7300 - 609	101 - 503				
	101 - 504				
XB4 - 7300 - 809	101 - 505				
	101 - 506				
	102 - 506				
	400 - 503				
	401 - 501				
	402 - 503				
	530 - 502				
XB4 - 7301 - 009	401 - 502				
XB4 - 7301 - 209	530 - 503				
XB4 - 7400 - 609	102 - 507				
XB4 - 7401 - 009	100 - 501				
XB6 - 7300 - 609	102 - 508				
XB7 - 2200 - 409	401 - 503				
XD1 - 1103 - 635	530 - 504				
XD2 - 1100 - 502	811 - 501				
XD2 - 2300 - 202	810 - 503				
XD2 - 2300 - 402	251 - 501				
XD2 - 2300 - 502	101 - 507				
	102 - 509				
	102 - 510				
XD3 - 2160 - 062	340 - 501				
XD3 - 2160 - 142					
XD9 - 0134 - 000	102 - 85				
	102 - 86				
XD9 - 0136 - 000	101 - 68				
	102 - 87				
	220 - 17				
	250 - 6				
	401 - 10				
XH9 - 0084 - 000	100 - 42				

Prepared by
OFFICE IMAGING PRODUCTS TECHNICAL SUPPORT DEPT.1
OFFICE IMAGING PRODUCTS TECHNICAL SUPPORT DIV.
CANON INC.
Printed in Japan

REVISION 0 [JULY 1997]

5-1, Hakusan 7-chome, Toride-shi, Ibaraki 302, Japan

Canon