

PC800s/900s/950

**PARTS
CATALOG**

REVISION 0

Canon

AUG. 1999

FY8-31EB-000

PREFACE

This Parts Catalog contains listings of parts used in the PC800s/900s/950. Diagrams are provided with the listings to aid the service technician in identifying clearly, the item to be ordered.

Whenever ordering parts, consult this Parts Catalog for all of the information pertaining to each item. Be sure to include, in the Parts Request, the full item description, the item part number and the quantity.

Canon Inc.

Office Imaging Products Technical Support Div.
5-1, Hakusan 7-chome,
Toride-city, Ibaraki 302-8501, Japan

COPYRIGHT © 1999 CANON INC.

Printed in Japan
Imprimé au Japon

LIST OF SERIAL NUMBER

PC860

SINGLE TYPE

{ 220/240V 50Hz F13-8491 TYA00001- }

PC980

MULTI,ADF TYPE

{ 120V 60Hz F13-8232 TVH00001- }

PC880

MULTI TYPE

{ 220/240V 50Hz F13-8291 TZA00001- }

PC981

MULTI,ADF TYPE

{ 120V 60Hz F13-8233 TVJ00001- }

PC890

MULTI,ADF TYPE

{ 220/240V 50Hz F13-8242 UAA00001- }

PC920

SINGLE TYPE

{ 120V 60Hz F13-8431 TVB00001-
220/240V 50Hz F13-8441 PUD00001-
PUE00001- }

PC921

SINGLE TYPE

{ 120V 60Hz F13-8432 TVC00001- }

PC940

SINGLE TYPE

{ 120V 60Hz F13-8436 TVD00001- }

PC941

SINGLE TYPE

{ 120V 60Hz F13-8437 TVE00001- }

PC950

MULTI TYPE

{ 100V 50/60Hz F13-8211 MTB00001-
120V 60Hz F13-8231 TVF00001-
220/240V 50Hz F13-8241 PUF00001-
PUG00001- }

PC960

SINGLE,ADF TYPE

{ 120V 60Hz F13-8434 TVG00001- }

CONTENTS

- A. ASSEMBLY LOCATION DIAGRAM**
 - 100. EXTERNAL COVERS, PANELS, ETC.
 - 101. UPPER MAIN BODY
 - 102. LOWER MAIN BODY
 - 130. CONTROL PANEL ASSEMBLY
 - 160. COPYBOARD COVER ASSEMBLY (NON ADF TYPE)
 - 161. ADF ASSEMBLY (ADF TYPE)
 - 162. ADF TRAY ASSEMBLY (ADF TYPE)

 - 220. SCANNER DRIVE ASSEMBLY
 - 230. MAIN DRIVE ASSEMBLY
 - 250. PAPER PICK-UP DRIVE ASSEMBLY (MULTI TYPE)
 - 251. PAPER PICK-UP DRIVE ASSEMBLY (SINGLE TYPE)
 - 290. ADF DRIVE ASSEMBLY (ADF TYPE)

 - 300. CASSETTE (250 UNIVERSAL TYPE)
 - 301. CASSETTE (250 A4 TYPE)
 - 302. CASSETTE (500 TYPE)
 - 355. ADF DELIVERY ASSEMBLY (ADF TYPE)

 - 400. MIRROR ASSEMBLY 1
 - 401. MIRROR ASSEMBLY 2
 - 402. ZOOM MIRROR ASSEMBLY
 - 450. BLANK EXPOSURE LAMP ASSEMBLY

 - 530. TRANSFER ASSEMBLY

 - 810. FIXING ASSEMBLY

 - 910. DC POWER SUPPLY PCB ASSEMBLY
 - 915. CONTROL PANEL PCB ASSEMBLY
 - 930. DC CONTROLLER PCB ASSEMBLY
 - 935. ADF DC CONTROLLER PCB ASSEMBLY (ADF TYPE)
 - 940. NOISE FILTER PCB ASSEMBLY
- B. LIST OF CONNECTORS**
- C. LIST OF STANDARD FASTENERS**
- D. NUMERICAL INDEX**

FIGURE A ASSEMBLY LOCATION DIAGRAM(1/3)

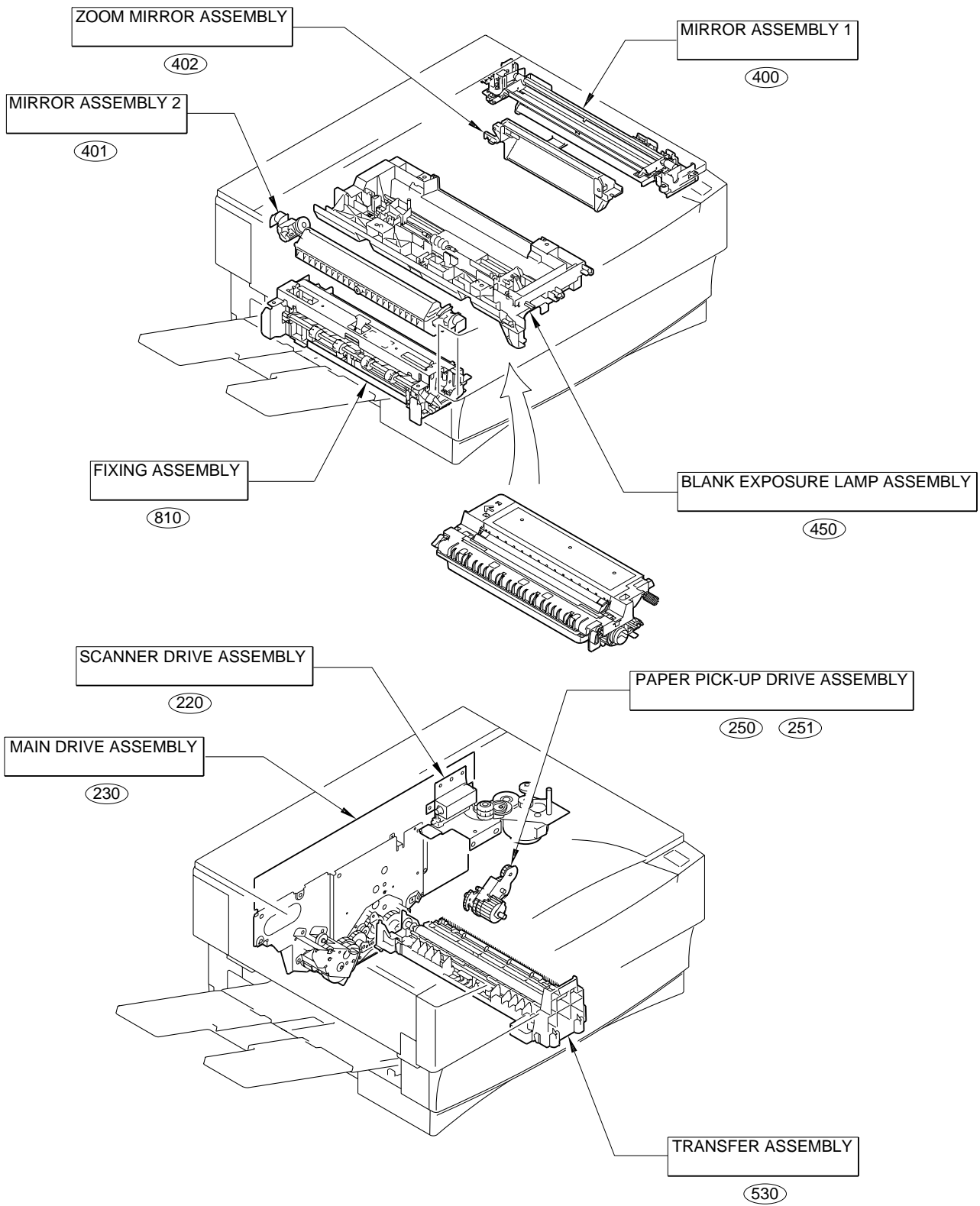


FIGURE A ASSEMBLY LOCATION DIAGRAM(2/3)

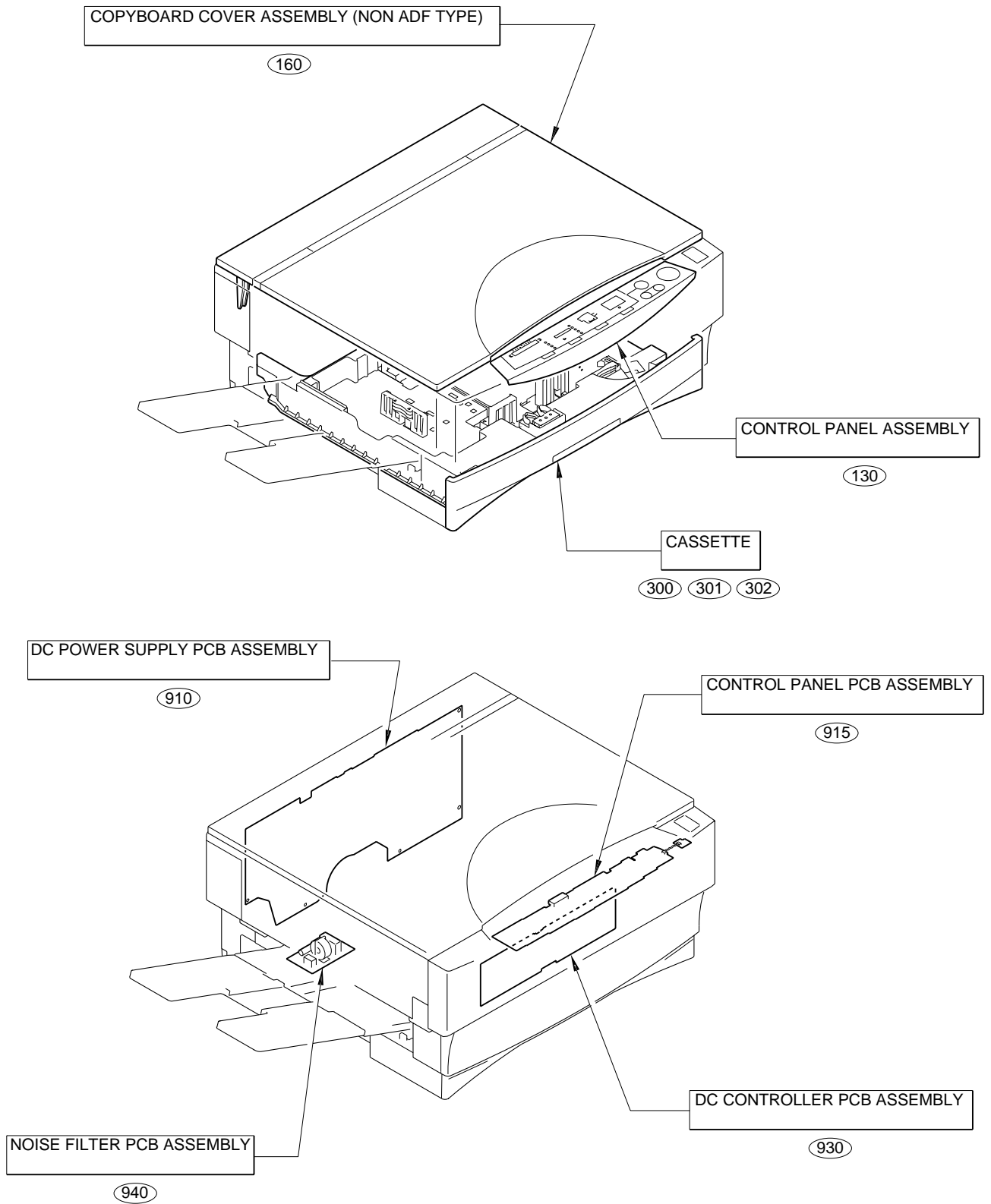


FIGURE A ASSEMBLY LOCATION DIAGRAM(3/3)

ADF TYPE

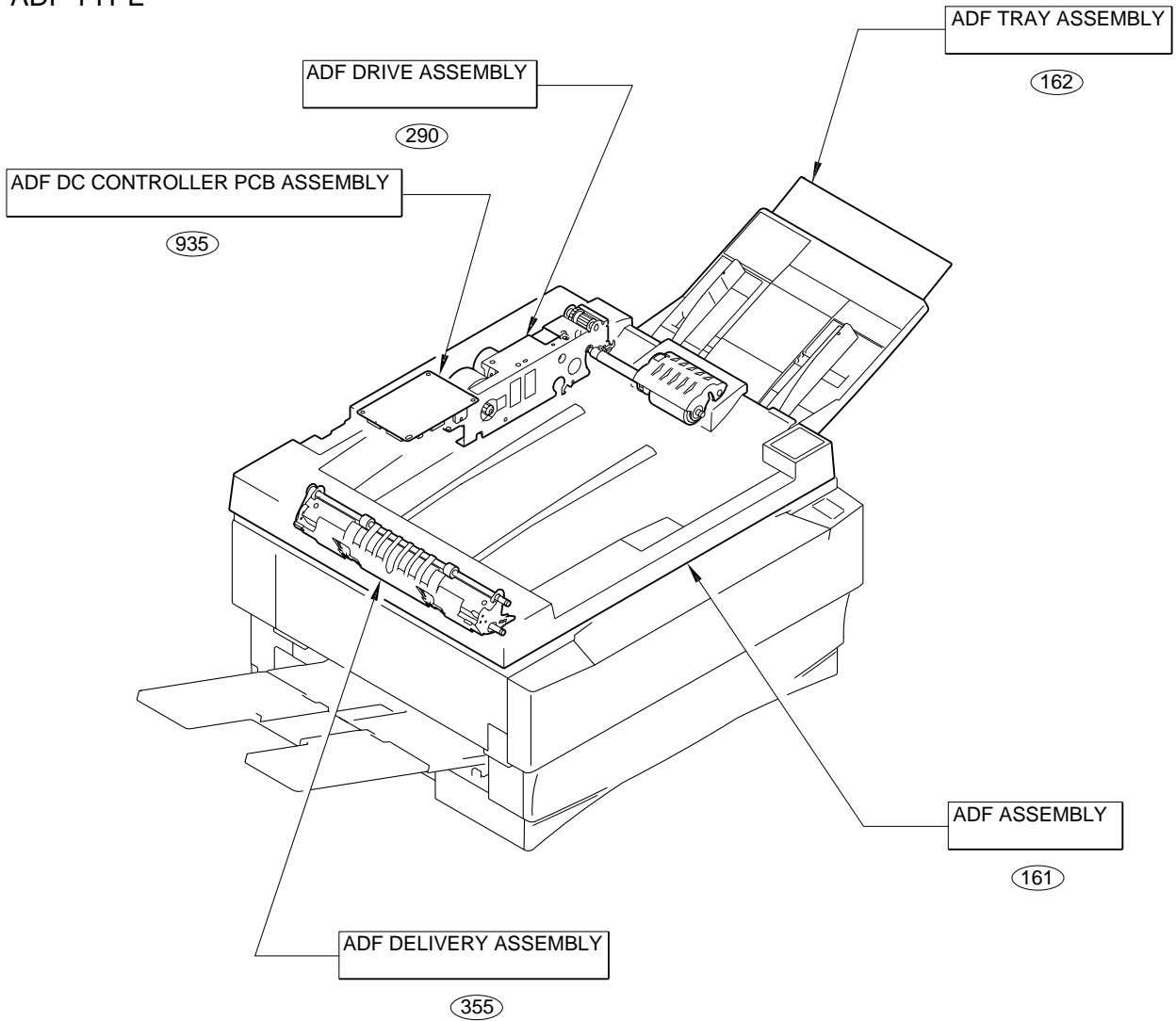


FIGURE 100 EXTERNAL COVERS, PANELS, ETC.

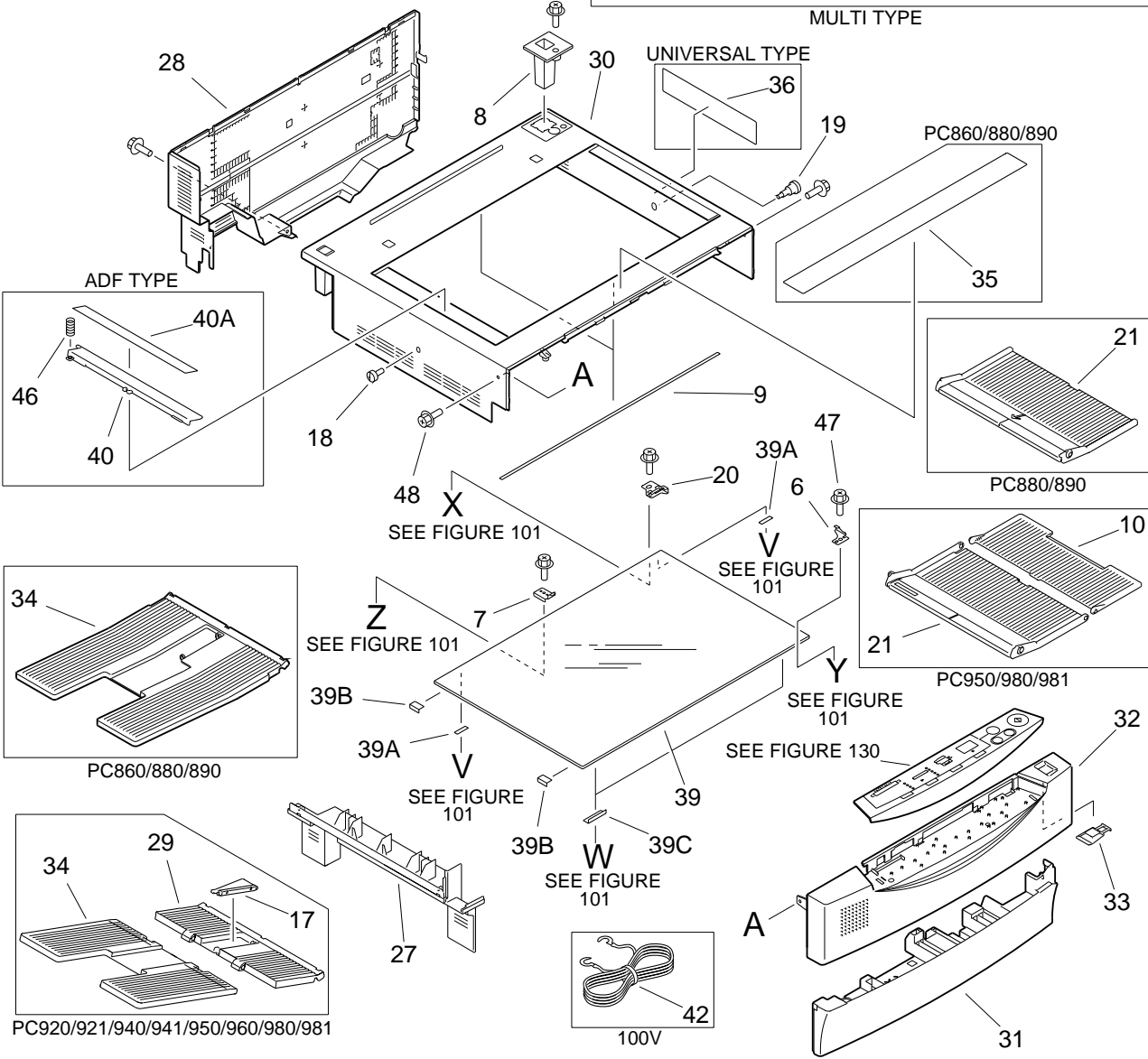
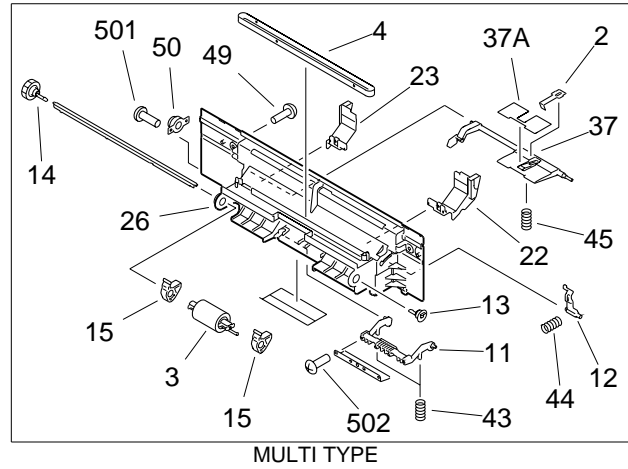
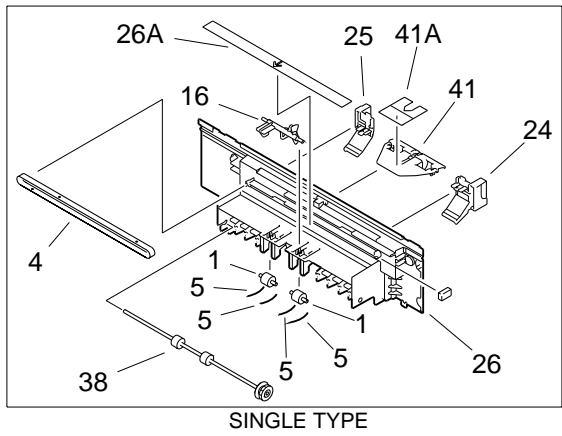


FIGURE & KEY NO.	PART NUMBER	RANK	QTY	DESCRIPTION	SERIAL NUMBER / REMARKS
100 -	NPN		RF	EXTERNAL COVERS, PANELS, ETC.	
1	FB1 - 0624 - 000		2	ROLLER, PAPER PICK-UP	SINGLE TYPE
2	FB1 - 7283 - 000		1	SPRING, LEAF	MULTI TYPE
3	FB1 - 7303 - 000		1	ROLLER, PAPER PICK-UP	MULTI TYPE
4	FB1 - 7403 - 000		1	FILM, SLIDE	
5	FB1 - 8835 - 000		4	SPRING, WIRE	SINGLE TYPE
6	FB2 - 4606 - 000		1	RETAINER, GLASS, 1	
7	FB2 - 4607 - 000		1	RETAINER, GLASS, 2	
8	FB2 - 4785 - 000		1	SUPPORT, COPYBOARD	NON ADF TYPE
	FB3 - 0839 - 020		1	SUPPORT, ADF	ADF TYPE
9	FB2 - 4790 - 020		2	SHEET, GLASS	
10	FB2 - 5177 - 000		1	TRAY, SUB	PC950/980/981
11	FB2 - 5210 - 000		1	FLAPPER, SEPARATING	MULTI TYPE
12	FB2 - 5213 - 000		1	LEVER, TRAY	MULTI TYPE
13	FB2 - 5214 - 020		1	HOLDER, PICK-UP SHAFT	MULTI TYPE
14	FB2 - 5215 - 020		1	GEAR, 26T	MULTI TYPE
15	FB2 - 5217 - 020		2	ROLLER	MULTI TYPE
16	FB2 - 5240 - 020		1	ARM, SENSOR	SINGLE TYPE
17	FB2 - 5428 - 000		1	TRAY, COPY, SUB	PC920/921/940/941 PC950/960/980/981
18	FB2 - 5500 - 000		1	SCREW,M4X12	
19	FB2 - 5502 - 000		1	SCREW, STEPPED	
20	FB3 - 0824 - 000		1	RETAINER, GLASS	NON ADF TYPE
	FF9 - 1514 - 000		1	RETAINER, GLASS	ADF TYPE
21	FB4 - 1096 - 000		1	TRAY, PAPER PICK-UP	PC880/890
	FB2 - 5176 - 000		1	TRAY, PAPER PICK-UP	PC950 100V
22	FB2 - 5175 - 000		1	TRAY, PICK-UP	PC980/981 PC950 120/220/240V
	FB4 - 1195 - 000		1	PLATE, PAPER STOP END, FRONT	MULTI TYPE
23	FB4 - 1196 - 000		1	PLATE, PAPER STOP END, REAR	MULTI TYPE
24	FB4 - 1260 - 000		1	GUIDE, SIDE, FRONT	SINGLE TYPE
25	FB4 - 1261 - 000		1	GUIDE, SIDE, REAR	SINGLE TYPE

FIGURE & KEY NO.	PART NUMBER	RANK	QTY	DESCRIPTION	SERIAL NUMBER / REMARKS
100 - 26	FB4 - 9827 - 000		1	PANEL, RIGHT	MULTI TYPE
	FF5 - 8993 - 000		1	PANEL, RIGHT	SINGLE TYPE
	26 A	FB2 - 5247 - 000	1	LABEL, SIZE	SINGLE TYPE
	27	FB4 - 9888 - 000	1	PANEL, LEFT	
	28	FB4 - 9896 - 000	1	PANEL, REAR	NON ADF TYPE 100V
29	FB4 - 9895 - 000		1	PANEL, REAR	NON ADF TYPE 120/220/240V
	FB4 - 9897 - 000		1	PANEL, REAR	ADF TYPE
	FB4 - 9898 - 000		1	TRAY, COPY, 1	PC920/921/940/941 PC950/960/980/981
	30	FB4 - 9899 - 000	1	PANEL, TOP	NON ADF TYPE 100V
	FB4 - 9900 - 000		1	PANEL, TOP	NON ADF TYPE 120V
31	FB5 - 1878 - 00S		1	PANEL, TOP	NON ADF TYPE 220/240V
	FB4 - 9902 - 000		1	PANEL, TOP	ADF TYPE 120V
	FB5 - 1879 - 00S		1	PANEL, TOP	ADF TYPE 220/240V
	FB4 - 9906 - 000		1	PANEL, LOWER, FRONT	
	32	FB5 - 1866 - 00S		1	PANEL, CONTROL, LARGE
33	FB5 - 1863 - 00S		1	PANEL, CONTROL, LARGE	PC880
	FB5 - 1861 - 00S		1	PANEL, CONTROL, LARGE	PC890
	FB5 - 1856 - 000		1	PANEL, CONTROL, LARGE	PC920 120V
	FB5 - 1864 - 000		1	PANEL, CONTROL, LARGE	PC920 220/240V
	FB5 - 1859 - 000		1	PANEL, CONTROL, LARGE	PC921
34	FB5 - 1857 - 000		1	PANEL, CONTROL, LARGE	PC940
	FB5 - 1860 - 000		1	PANEL, CONTROL, LARGE	PC941
	FB5 - 1862 - 000		1	PANEL, CONTROL, LARGE	PC950 100/220/240V
	FB5 - 1853 - 000		1	PANEL, CONTROL, LARGE	PC950 120V
	FB5 - 1855 - 000		1	PANEL, CONTROL, LARGE	PC960
33	FB5 - 0120 - 000		1	PANEL, CONTROL, LARGE	PC980
	FB5 - 1854 - 000		1	PANEL, CONTROL, LARGE	PC981
	FB5 - 1877 - 000		1	KEY TOP, ON/OFF	
	FB5 - 1880 - 00S		1	TRAY, PAPER DELIVERY	PC860/880/890
	FB2 - 5426 - 000		1	TRAY, COPY, 2	PC920/921/940/941 PC950/960/980/981

FIGURE & KEY NO.	PART NUMBER	RANK	QTY	DESCRIPTION	SERIAL NUMBER / REMARKS
100 - 35	FB5 - 1882 - 00S		1	LABEL, OPERATION	PC860/880/890
36	FB5 - 1884 - 000		1	LABEL, "WARNING, RIGHT PLATE"	UNIVERSAL TYPE
37	FF5 - 2875 - 000		1	PLATE, PICK-UP	MULTI TYPE
37 A	FB1 - 7295 - 000		1	SHEET, LIFTER ARM	MULTI TYPE
38	FF5 - 2893 - 020		1	ROLLER, SLIP	SINGLE TYPE
39	FF5 - 3728 - 000		1	GLASS, COPYBOARD	NON ADF TYPE
	FF5 - 3729 - 000		1	GLASS, COPYBOARD	ADF TYPE
39 A	FB2 - 4791 - 000		2	SHEET, GLASS PROTECTIVE	
39 B	FB2 - 4793 - 000		2	SHEET, GLASS PROTECTIVE	
39 C	FB2 - 4794 - 000		2	SHEET, GLASS PROTECTIVE	
40	FF5 - 3905 - 000		1	GUIDE, PAPER JUMP	ADF TYPE
40 A	FB3 - 0817 - 000		1	LABEL, "PAPER SIZE"	ADF TYPE
41	FF5 - 9001 - 000		1	GUIDE, PICK-UP LOWER	SINGLE TYPE
41 A	FB4 - 9834 - 000		1	SHEET, PICK-UP LOWER GUIDE	SINGLE TYPE
42	FH2 - 5288 - 000		1	WIRE, GROUNDING	100V
43	FS5 - 2769 - 000		2	SPRING, COMPRESSION	MULTI TYPE
44	FS5 - 2770 - 000		1	SPRING, COMPRESSION	MULTI TYPE
45	FS5 - 2776 - 000		1	SPRING, COMPRESSION	MULTI TYPE
46	FS6 - 2270 - 000		1	SPRING, COMPRESSION	ADF TYPE
47	XA9 - 0760 - 000		AR	SCREW,RS,M3X6	
48	XA9 - 0762 - 000		2	SCREW,RS,M3X8	
49	XA9 - 0975 - 000		2	SCREW,P,M4X12	
50	XH9 - 0084 - 000		1	DAMPER UNIT	MULTI TYPE
501	XB4 - 7200 - 609		1	SCREW,TAPPING,TRUSS HEAD,M2X6	MULTI TYPE
502	XB4 - 7300 - 609		2	SCREW,TAPPING,TRUSS HEAD,M3X6	MULTI TYPE

FIGURE 101 UPPER MAIN BODY(1/2)

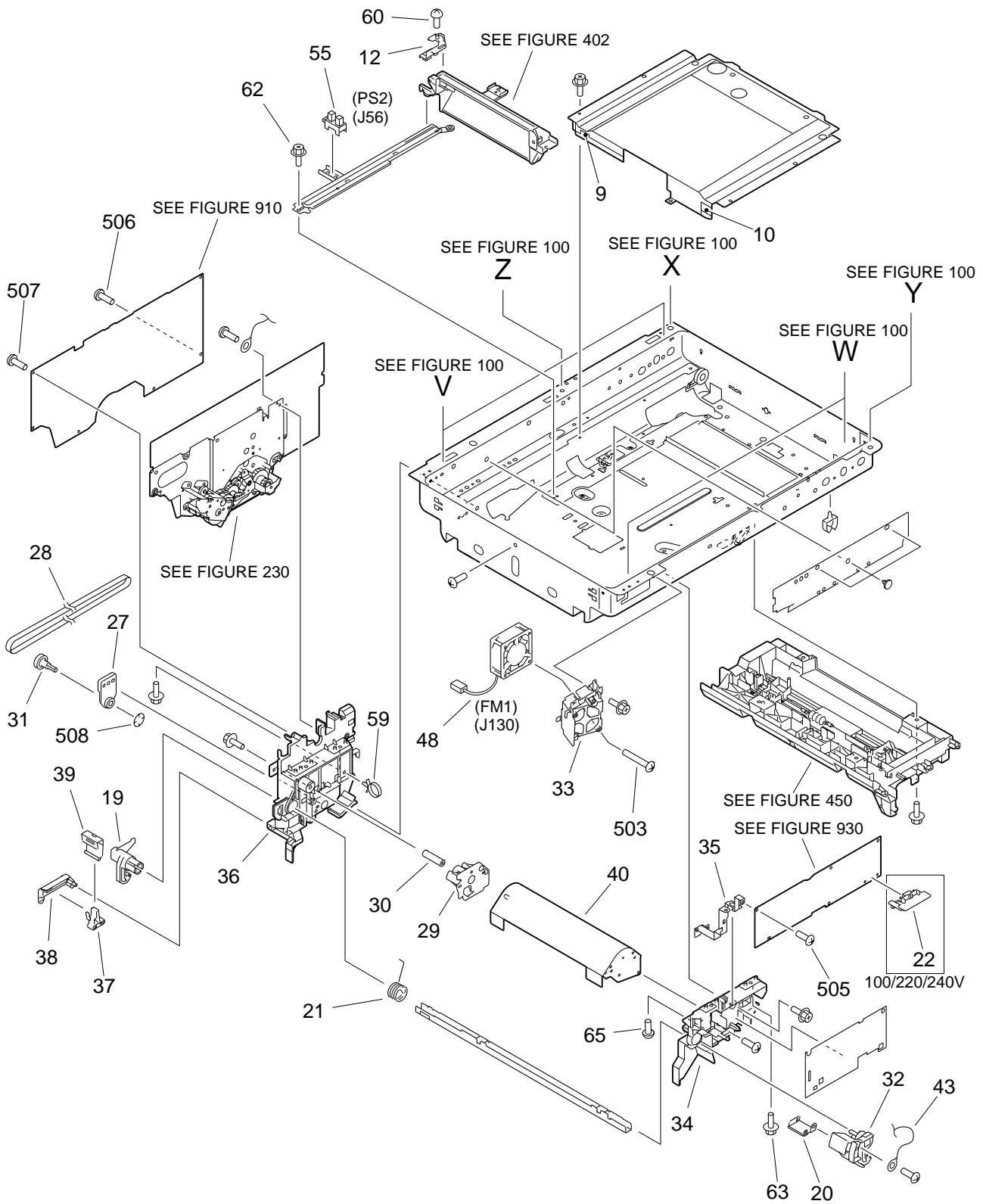


FIGURE 101 UPPER MAIN BODY(2/2)

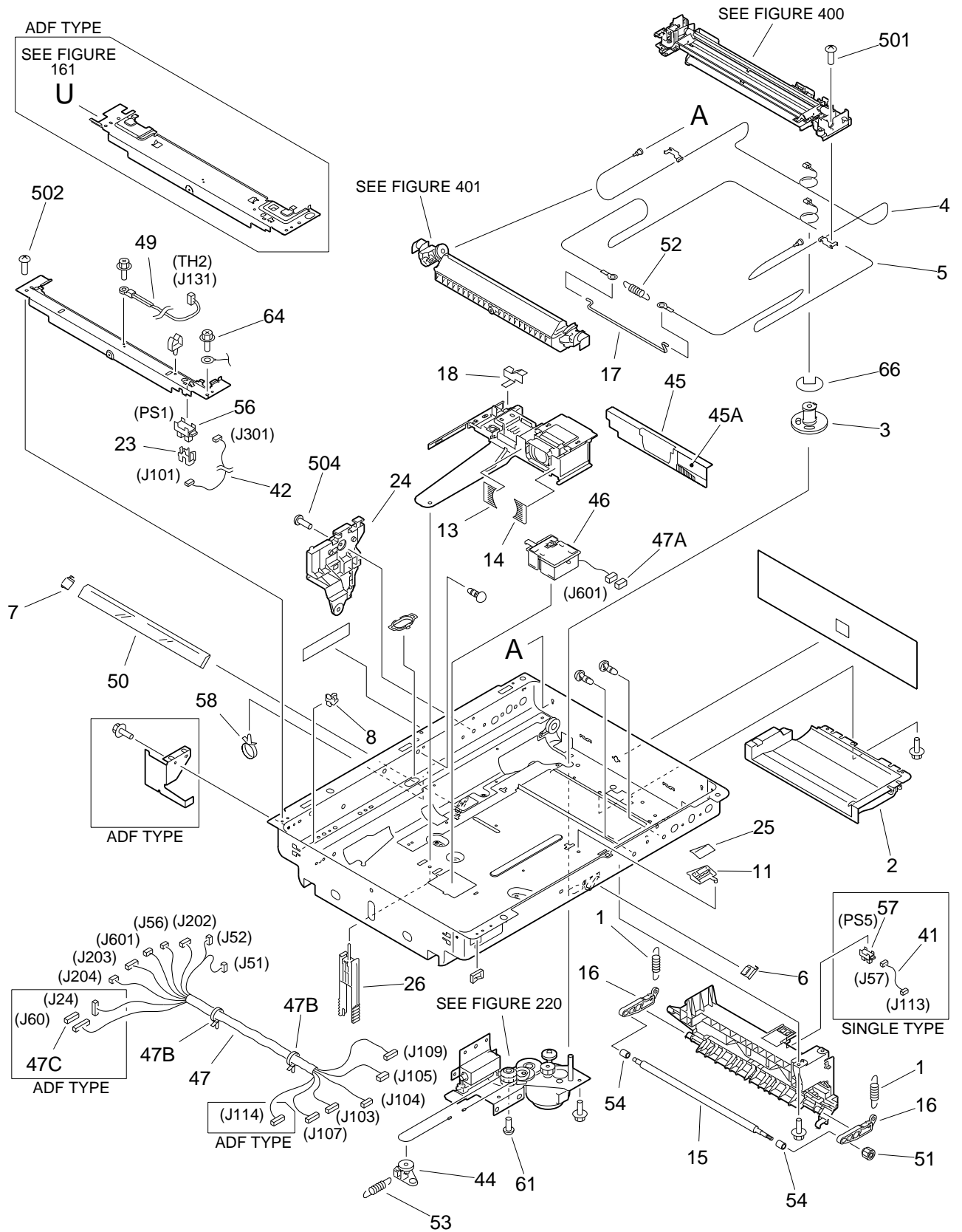


FIGURE & KEY NO.	PART NUMBER	RANK	QTY	DESCRIPTION	SERIAL NUMBER / REMARKS
101 -	NPN		RF	UPPER MAIN BODY	
1	FA9 - 3066 - 000		2	SPRING, TENSION	
2	FB2 - 4603 - 000		1	PLATE, DUST-PROOF	
3	FB2 - 4610 - 000		1	PULLEY, DRIVE	
4	FB2 - 4611 - 000		1	WIRE, MIRROR DRIVE, 1	
5	FB2 - 4612 - 000		1	WIRE, MIRROR DRIVE, 2	
6	FB2 - 4613 - 000		1	RETAINER, MIRROR, 6, FRONT	
7	FB2 - 4614 - 000		1	RETAINER, MIRROR, 6, REAR	
8	FB2 - 4622 - 020		2	HOLDER, WIRE	
9	FB2 - 4627 - 000		1	SHEET, LIGHT-BLOCKING, 1	
10	FB2 - 4628 - 000		1	SHEET, LIGHT-BLOCKING, 2	
11	FB2 - 4629 - 020		1	HOLDER, LENS	
12	FB2 - 4691 - 000		1	PLATE, LINK	
13	FB2 - 4734 - 000		1	SHEET, 1	
14	FB2 - 4736 - 000		1	SHEET, 2	
15	FB2 - 4771 - 000		1	ROLLER, UPPER, REGISTRATION	
16	FB2 - 4773 - 000		2	ARM, REGISTRATION	
17	FB2 - 4792 - 000		1	HOOK, WIRE STOPPING	
18	FB2 - 4840 - 000		1	SHEET, 7	
19	FB2 - 4870 - 000		1	HOOK, REAR	
20	FB2 - 4875 - 000		1	PLATE, LEVER GROUNDING	
21	FB2 - 4877 - 000		1	SPRING, TORSION	
22	FB2 - 4906 - 020		1	KNOB, DENSITY CONTROL	100/220/240V
23	FB2 - 4942 - 000		1	GUIDE, SENSOR	
24	FB2 - 5057 - 000		1	PLATE, BLANK EXPOSURE	
25	FB2 - 5059 - 000		1	SHEET, 6	
26	FB2 - 5501 - 030		1	SCREW, M4X15	
27	FB3 - 0626 - 020		1	SUPPORT, PULLEY SHAFT	
28	FB3 - 0630 - 000		1	BELT, FAN	NON ADF TYPE
	FB5 - 0097 - 000		1	BELT, FAN	ADF TYPE

FIGURE & KEY NO.	PART NUMBER	RANK	QTY	DESCRIPTION	SERIAL NUMBER / REMARKS
101 - 29	FB3 - 0632 - 020		1	SUPPORT, FAN, REAR	
30	FB3 - 0633 - 000		1	JOINT	
31	FB3 - 0639 - 020		1	PULLEY, FAN	
32	FB4 - 1194 - 000		1	HOOK, FRONT	
33	FB5 - 0086 - 000		1	HOLDER, FAN	
34	FB5 - 0088 - 000		1	BLOCK, HOOK, FRONT	
35	FB5 - 0089 - 000		1	PLATE, GROUNDING	
36	FB5 - 0090 - 000		1	BLOCK, HOOK, REAR	
37	FB5 - 0091 - 000		1	LEVER, SWITCH	
38	FB5 - 0092 - 000		1	ACTUATOR	
39	FB5 - 0093 - 000		1	SPRING, SWITCH	
40	FB5 - 0096 - 000		1	FAN, EXHAUST	
41	FF2 - 9787 - 000		1	CABLE, RIGHT RAIL SENSOR	SINGLE TYPE J57,113
42	FF3 - 3737 - 000		1	CABLE, HOME POSITION SENSOR	J101,301
43	FF3 - 3820 - 000		1	CABLE, GROUNDING	
44	FF5 - 2867 - 020		1	PULLEY, IDLER	
45	FF5 - 3716 - 000		1	SHEET, 2	
45 A	FB2 - 5058 - 000		1	SHEET, 4	
46	FG6 - 3756 - 000		1	AE SENSOR PCB ASSEMBLY	J601
47	FG6 - 3789 - 000		1	DC UPPER FRAME CABLE	NON ADF TYPE J51,52,56,103-105
	FG6 - 3788 - 000		1	DC UPPER FRAME CABLE	J107,109,202-204,601 ADF TYPE J24,51,52,56,60 J103-105,107,109,114 J202-204,601
47 A	VS1 - 5057 - 004		1	CONNECTOR, SNAP TIGHT	J601
47 B	WT2 - 5041 - 000		3	CLAMP, CABLE	
47 C	VS1 - 5057 - 008		1	CONNECTOR, SNAP TIGHT	ADF TYPE J60
48	FH6 - 1679 - 000		1	FAN, DC24V	FM1 J130
49	FH7 - 7510 - 000		1	THERMISTOR UNIT	TH2 J131
50	FN5 - 4146 - 000		1	MIRROR, 6	
51	FS5 - 0898 - 000		1	GEAR, 14T	

FIGURE & KEY NO.	PART NUMBER	RANK	QTY	DESCRIPTION	SERIAL NUMBER / REMARKS
101 - 52	FS5 - 2802 - 000		1	SPRING, TENSION	
53	FS5 - 2803 - 020		1	SPRING, TENSION	
54	FS5 - 6288 - 000		2	ROLLER	
55	WG8 - 5187 - 000		1	PHOTO-INTERRUPTER	PS2 J56
56	WG8 - 5362 - 000		1	PHOTO-INTERRUPTER	PS1 J301
57	WG8 - 5362 - 000		1	PHOTO-INTERRUPTER	SINGLE TYPE PS5 J57
58	WT2 - 5041 - 000		1	CLAMP, CABLE	
59	WT2 - 5041 - 000		2	CLAMP, CABLE	ADF TYPE
60	XA9 - 0187 - 000		2	SCREW,M3X6	
61	XA9 - 0650 - 000		1	SCREW,M3X6	
62	XA9 - 0760 - 000		15	SCREW,RS,M3X6	
63	XA9 - 0762 - 000		3	SCREW,RS,M3X8	
64	XA9 - 0794 - 000		4	SCREW,RS,M3X6	
65	XA9 - 0813 - 000		1	SCREW,RS,M3X8	
66	XD9 - 0136 - 000		1	RING,E	
501	XB1 - 2300 - 609		2	SCREW,MACH.,TRUSS HEAD,M3X6	
502	XB2 - 7300 - 607		4	SCREW,W/WASHER,M3X6	
503	XB4 - 6302 - 509		2	SCREW,TAPPING,PAN HEAD,M3X25	
504	XB4 - 7300 - 809		4	SCREW,TAPPING,TRUSS HEAD,M3X8	
505	XB4 - 7300 - 809		3	SCREW,TAPPING,TRUSS HEAD,M3X8	
506	XB4 - 7400 - 609		1	SCREW,TAPPING,TRUSS HEAD,M4X6	
507	XB4 - 7400 - 809		2	SCREW,TAPPING,TRUSS HEAD,M4X8	
508	XD2 - 2300 - 502		1	RING,TOOTHED LOCK	

FIGURE 102 LOWER MAIN BODY(1/2)

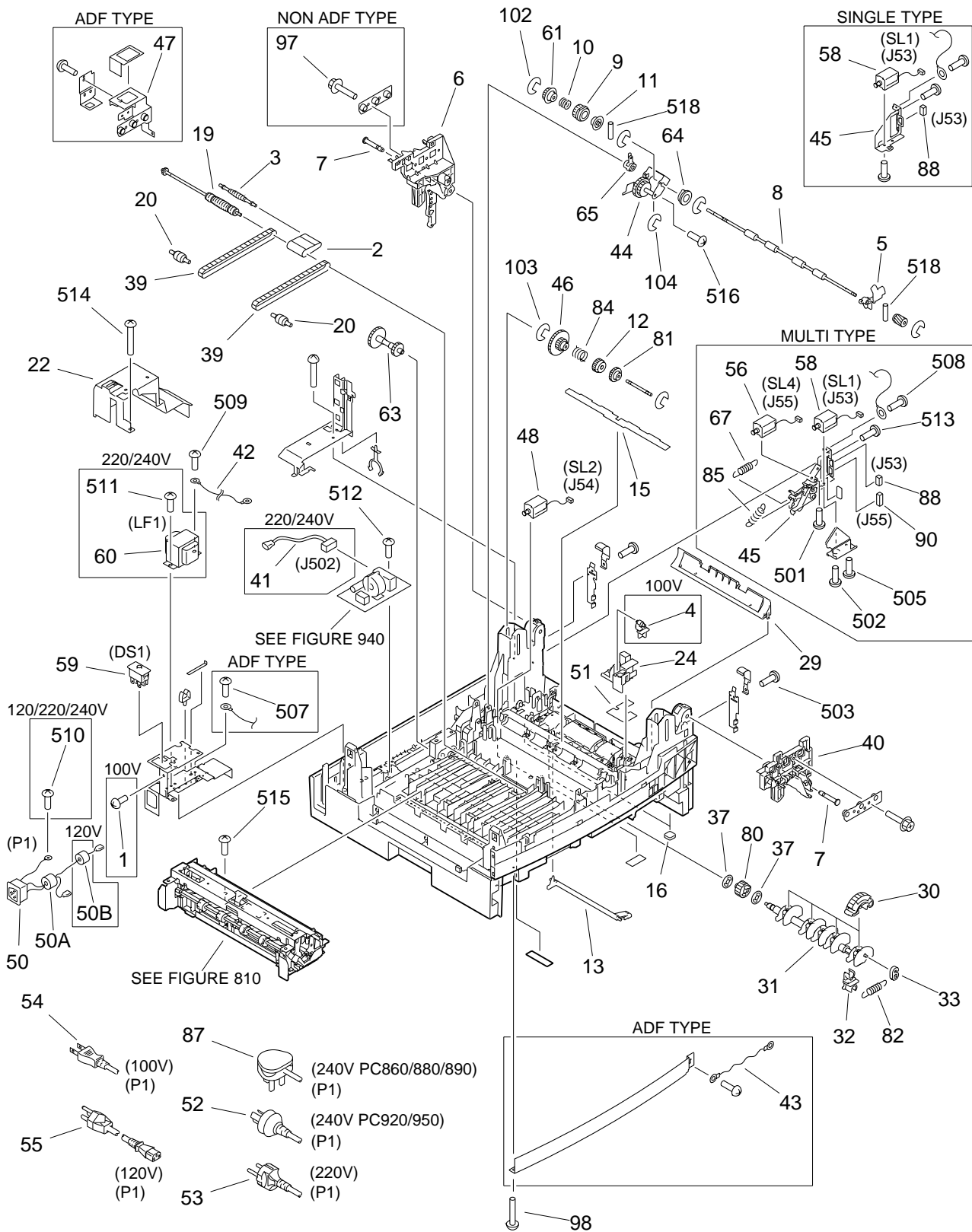


FIGURE 102 LOWER MAIN BODY(2/2)

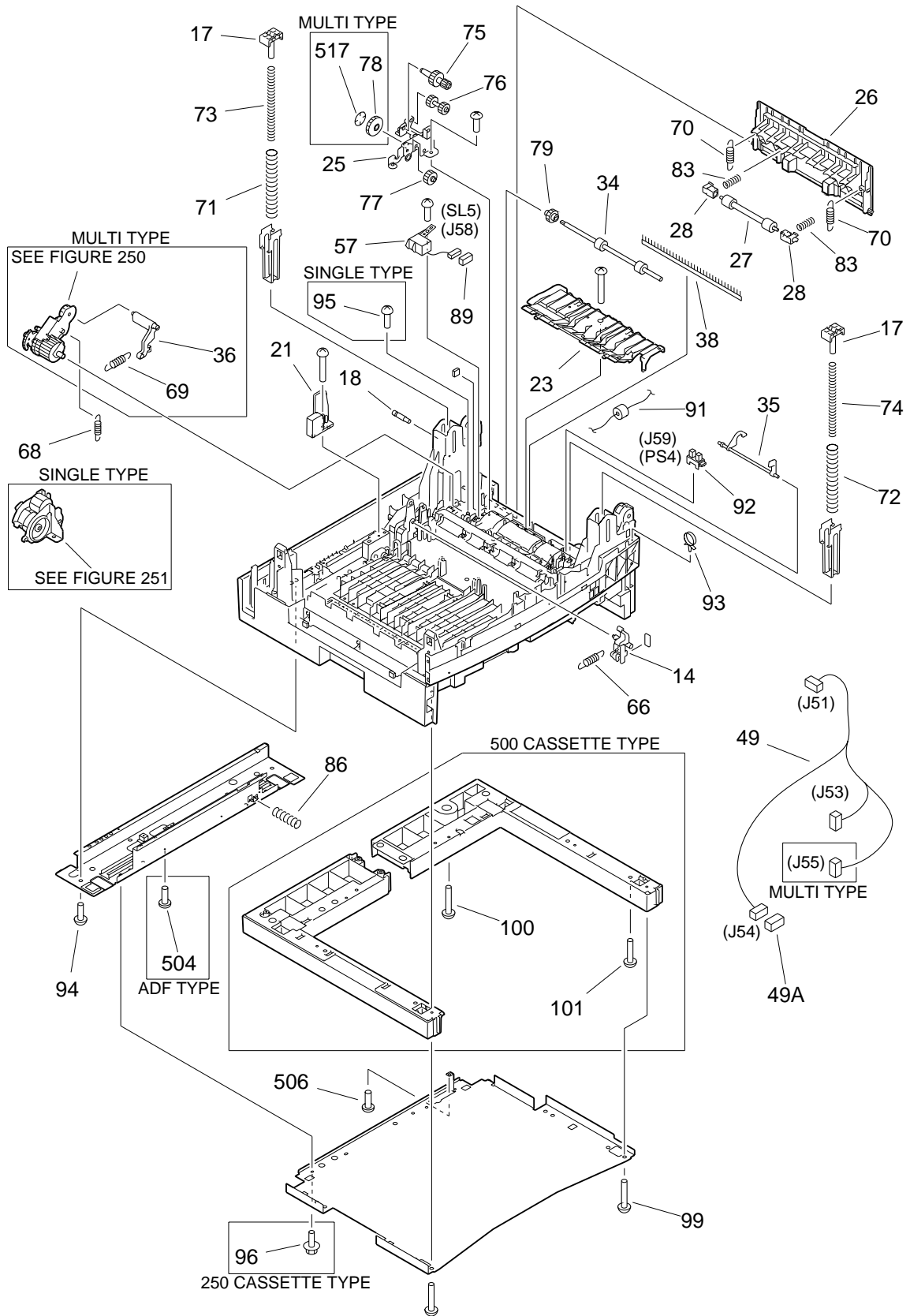


FIGURE & KEY NO.	PART NUMBER	RANK	QTY	DESCRIPTION	SERIAL NUMBER / REMARKS
102 -	NPN		RF	LOWER MAIN BODY	
1	FA9 - 2568 - 000		1	SCREW,MACH.,TRUSS HEAD	100V
2	FB1 - 7267 - 000		1	BELT, PAPER FEED, 1	
3	FB1 - 7270 - 000		1	PULLEY, BELT, 1	
4	FB2 - 4781 - 000		1	LEVER, SENSOR, 2	100V
5	FB2 - 4782 - 000		1	LEVER, SENSOR, 1	
6	FB2 - 4929 - 000		1	MOUNT, HINGE, REAR	
7	FB2 - 4930 - 000		2	PIN, HINGE	
8	FB2 - 5161 - 030		1	ROLLER, LOWER	
9	FB2 - 5162 - 000		1	RING, RATCHET	
10	FB2 - 5163 - 000		1	SPRING, CLUTCH	
11	FB2 - 5164 - 000		1	DRUM, CLUTCH	
12	FB2 - 5183 - 000		1	RING, RATCHET	MULTI TYPE
	FB2 - 5266 - 000		1	RING, RATCHET	SINGLE TYPE
13	FB2 - 5221 - 020		1	LEVER, SENSOR	
14	FB2 - 5222 - 000		1	LEVER, CLUTCH	
15	FB2 - 5223 - 000		1	SHEET, GUIDE	
16	FB2 - 5303 - 000		2	FOOT, RUBBER	
17	FB2 - 5304 - 000		2	BLOCK, HINGE SLIDING	
18	FB2 - 5305 - 000		1	PIN, SLIDE, 1	
19	FB2 - 5309 - 000		1	PULLEY, BELT, 2	
20	FB2 - 5310 - 000		2	PULLEY, BELT, 3	
21	FB3 - 0733 - 000		1	BLOCK, SHUTTER RELEASE	
22	FB4 - 9803 - 000		1	COVER, AC POWER SUPPLY	100V
	FB4 - 9802 - 000		1	COVER, AC POWER SUPPLY	120/220/240V
23	FB4 - 9808 - 000		1	COVER, FEEDER	
24	FB4 - 9810 - 000		1	COVER, SENSOR PCB	
25	FB4 - 9811 - 000		1	HOLDER, GEAR	
26	FB4 - 9812 - 000		1	COVER, U-TURN	
27	FB4 - 9813 - 000		1	ROLLER	

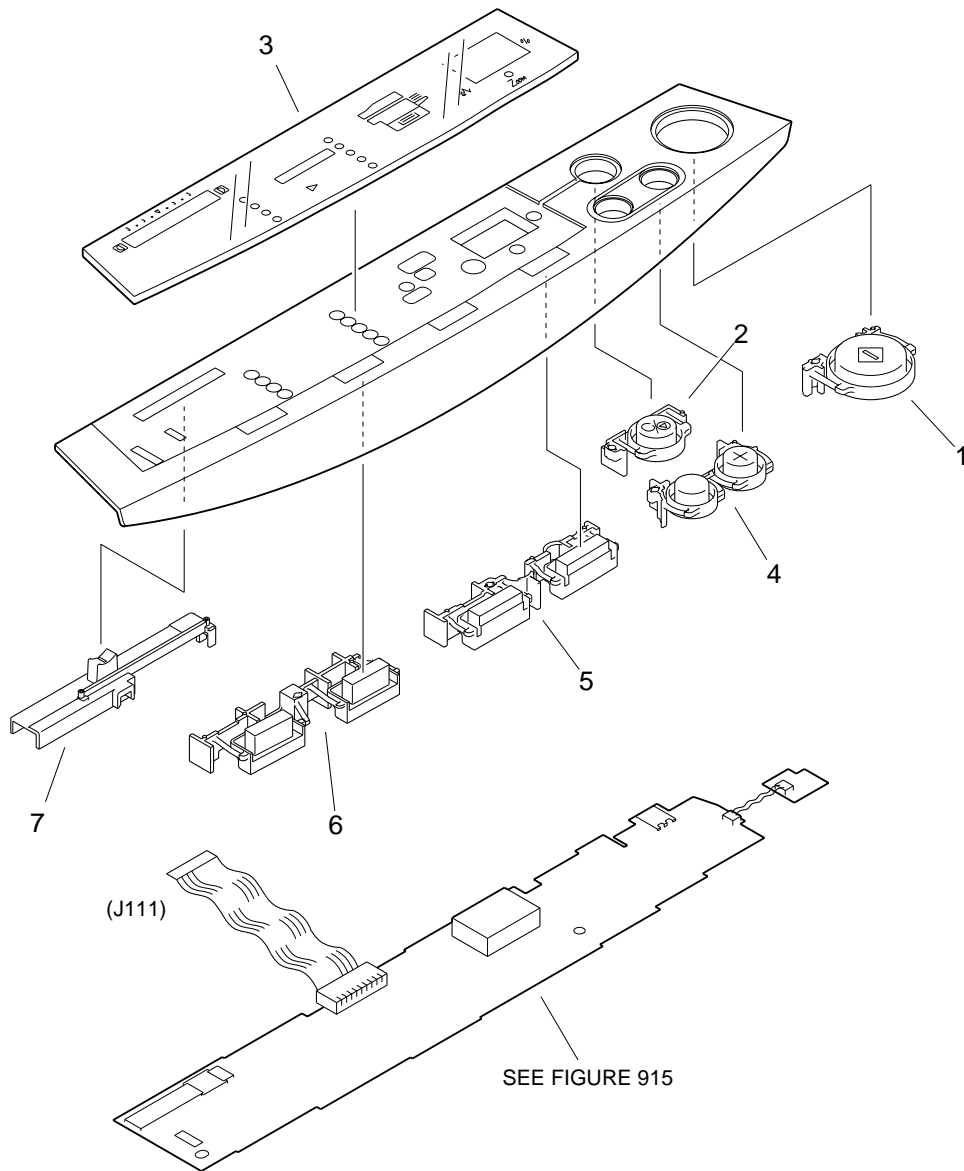
FIGURE & KEY NO.	PART NUMBER	R A N K	Q' T Y	DESCRIPTION	SERIAL NUMBER / REMARKS
102 - 28	FB4 - 9814 - 000		2	HOLDER, ROLLER	
29	FB4 - 9815 - 000		1	GUIDE, U-TURN	
30	FB4 - 9817 - 000		4	ROLLER, PICK-UP	
31	FB4 - 9818 - 000		1	SHAFT, PICK-UP ROLLER	
32	FB4 - 9819 - 000		1	HOLDER, PICK-UP SHAFT	
33	FB4 - 9820 - 000		1	COLLAR, SPRING	
34	FB4 - 9821 - 000		1	ROLLER, FEEDER	
35	FB4 - 9822 - 000		1	LEVER, RETRY	
36	FB4 - 9823 - 000		1	ARM, PAPER PICK-UP	MULTI TYPE
37	FB4 - 9824 - 000		2	FLANGE	
38	FB4 - 9830 - 000		1	ABSORBER, ERASE NOISE	
39	FB4 - 9881 - 000		2	BELT, PAPER FEED, 2	
40	FB4 - 9908 - 000		1	MOUNT, HINGE, FRONT	
41	FF3 - 3736 - 000		1	CABLE, INPUT	220/240V J502
42	FF3 - 3740 - 000		1	CABLE, GROUNDING	
43	FF3 - 3845 - 000		1	CABLE, GROUNDING	ADF TYPE
44	FF5 - 2872 - 000		1	PLATE, REGIST SWING	
45	FF5 - 2873 - 030		1	MOUNT, SOLENOID	MULTI TYPE
	FB2 - 5276 - 000		1	MOUNT, SOLENOID	SINGLE TYPE
46	FF5 - 3714 - 000		1	GEAR, 17T/80T	MULTI TYPE
	FF5 - 3715 - 000		1	GEAR, 30T/80T	SINGLE TYPE
47	FF5 - 3922 - 000		1	PLATE, HINGE STOP, REAR	ADF TYPE
48	FF9 - 1505 - 000		1	SOLENOID	SL2 J54
49	FG6 - 3757 - 000		1	CABLE, MULTI DC	MULTI TYPE J51,53,54,55
	FG6 - 3758 - 000		1	CABLE, DC, SINGLE	SINGLE TYPE J51,53,54
49 A	VS1 - 5057 - 002		1	CONNECTOR, SNAP TIGHT	J54
50	FG6 - 3762 - 000		1	CABLE, AC SOCKET	100V P1
	FG6 - 3764 - 000		1	CABLE, AC SOCKET	120V P1
	FG6 - 3763 - 000		1	CABLE, AC SOCKET	220/240V P1
50 A	WE8 - 0054 - 000		1	FERRITE CORE	

FIGURE & KEY NO.	PART NUMBER	RANK	QTY	DESCRIPTION	SERIAL NUMBER / REMARKS
102 - 50 B	WE8 - 5705 - 000		1	FERRITE CORE	120V
51	FG6 - 4065 - 000		1	SENSOR PCB ASSEMBLY	100V
	FG6 - 4028 - 000		1	SENSOR PCB ASSEMBLY	120/220/240V
52	FH2 - 5276 - 030		1	CORD, POWER SUPPLY	240V PC920/950 P1
53	FH2 - 5761 - 020		1	CORD, POWER	220V P1
54	FH2 - 6577 - 000		1	CORD, POWER SUPPLY	100V P1
55	FH2 - 6578 - 000		1	CORD, POWER SUPPLY	120V P1
56	FH7 - 5631 - 000		1	SOLENOID, DC24V	MULTI TYPE SL4 J55
57	FH7 - 5893 - 000		1	SOLENOID	SL5 J58
58	FH7 - 5967 - 000		1	SOLENOID, DC24V	SL1 J53
59	FH7 - 6216 - 000		1	SWITCH, INTERLOCK	DS1
60	FH7 - 9315 - 000		1	INDUCTOR	220/240V LF1
61	FS5 - 0883 - 000		1	GEAR, 34T	
62	FS5 - 0885 - 000		1	GEAR, 14T	
63	FS5 - 0913 - 030		1	GEAR, 17T/18T	
64	FS5 - 1438 - 000		1	BUSHING	
65	FS5 - 1440 - 000		1	BUSHING, REGISTRATION, REAR	
66	FS5 - 2767 - 000		1	SPRING, TENSION	
67	FS5 - 2771 - 000		1	SPRING, TENSION	MULTI TYPE
68	FS5 - 2772 - 000		1	SPRING, TENSION	
69	FS5 - 2773 - 000		1	SPRING, TENSION	MULTI TYPE
70	FS5 - 2783 - 000		2	SPRING, TENSION	
71	FS5 - 2804 - 000		1	SPRING, COMPRESSION	
72	FS5 - 2805 - 000		1	SPRING, COMPRESSION	
73	FS5 - 2806 - 000		1	SPRING, COMPRESSION	
74	FS5 - 2806 - 000		1	SPRING, COMPRESSION	ADF TYPE
75	FS7 - 0431 - 000		1	GEAR, 14T/19T	MULTI TYPE
	FS7 - 0437 - 000		1	GEAR, 14T/19T	SINGLE TYPE
76	FS7 - 0432 - 000		1	GEAR, 14T	
77	FS7 - 0433 - 000		1	GEAR, 23T	

FIGURE & KEY NO.	PART NUMBER	RANK	QTY	DESCRIPTION	SERIAL NUMBER / REMARKS
102 - 78	FS7 - 0434 - 000		1	GEAR, 26T	MULTI TYPE
79	FS7 - 0435 - 000		1	GEAR, 16T	
80	FS7 - 0436 - 000		1	GEAR, 25T	
81	FS7 - 0438 - 000		1	GEAR, 25T	
	FS7 - 0439 - 000		1	GEAR, 24T	
82	FS7 - 2183 - 000		1	SPRING, TENSION	MULTI TYPE
83	FS7 - 2184 - 000		2	SPRING, COMPRESSION	
84	FS7 - 2185 - 000		1	SPRING, CLUTCH	
85	FS7 - 2186 - 000		1	SPRING, TENSION	
86	FS7 - 2190 - 000		1	SPRING, COMPRESSION	
87	RH2 - 5015 - 050		1	CORD, POWER SUPPLY	240V PC860/880 PC890 P1
88	VS1 - 5057 - 002		1	CONNECTOR, SNAP TIGHT	J53
89	VS1 - 5057 - 002		1	CONNECTOR, SNAP TIGHT	J58
90	VS1 - 5057 - 003		1	CONNECTOR, SNAP TIGHT	MULTI TYPE J55
91	WE8 - 5705 - 000		1	FERRITE CORE	100/220/240V
	WE8 - 0027 - 000		1	FERRITE CORE	120V
92	WG8 - 5362 - 000		1	PHOTO-INTERRUPTER	PS4 J59
93	WT2 - 5041 - 000		1	CLAMP, CABLE	
94	XA9 - 0591 - 000		6	SCREW,M3X8	
95	XA9 - 0591 - 000		1	SCREW,M3X8	SINGLE TYPE
96	XA9 - 0760 - 000		2	SCREW,RS,M3X6	250 CASSETTE TYPE
97	XA9 - 0763 - 000		6	SCREW,RS,M3X11	
98	XA9 - 0772 - 000		13	SCREW,P,M3X10	
99	XA9 - 0773 - 000		11	SCREW,P,M4X12	
100	XA9 - 0773 - 000		2	SCREW,P,M4X12	500 CASSETTE TYPE
101	XA9 - 0976 - 000		4	SCREW,P,M4X16	500 CASSETTE TYPE
102	XD9 - 0134 - 000		4	RING,E	
103	XD9 - 0134 - 000		2	RING,E	
104	XD9 - 0136 - 000		1	RING,E	
501	XB1 - 2300 - 409		1	SCREW,MACH.,TRUSS HEAD,M3X4	

FIGURE & KEY NO.	PART NUMBER	RANK	QTY	DESCRIPTION	SERIAL NUMBER / REMARKS
102 - 502	XB1 - 2300 - 409		1	SCREW,MACH.,TRUSS HEAD,M3X4	MULTI TYPE
503	XB1 - 2300 - 509		2	SCREW,MACH.,TRUSS HEAD,M3X5	
504	XB1 - 2300 - 809		2	SCREW,MACH.,TRUSS HEAD,M3X8	ADF TYPE
505	XB2 - 7300 - 607		1	SCREW,W/WASHER,M3X6	
506	XB2 - 7300 - 607		1	SCREW,W/WASHER,M3X6	
507	XB2 - 7300 - 607		3	SCREW,W/WASHER,M3X6	ADF TYPE
508	XB2 - 7400 - 607		1	SCREW,W/WASHER,M4X6	
509	XB2 - 7400 - 607		1	SCREW,W/WASHER,M4X6	
510	XB2 - 7400 - 607		1	SCREW,W/WASHER,M4X6	120/220/240V
511	XB2 - 7400 - 607		1	SCREW,W/WASHER,M4X6	220/240V
512	XB2 - 8300 - 607		1	SCREW,W/WASHER,M3X6	
513	XB4 - 7300 - 809		3	SCREW,TAPPING,TRUSS HEAD,M3X8	
514	XB4 - 7301 - 007		2	SCREW,TAPPING,TRUSS HEAD,M3X10	
515	XB4 - 7400 - 809		1	SCREW,TAPPING,TRUSS HEAD,M4X8	
516	XB6 - 7300 - 609		1	SCREW,TP,M3X6	
517	XD2 - 2300 - 402		1	RING,TOOTHED LOCK	MULTI TYPE
518	XD3 - 2160 - 062		2	PIN,DOWEL	

FIGURE 130 CONTROL PANEL ASSEMBLY



NOTE: This assembly includes the assembly shown in Figure 915.

FIGURE & KEY NO.	PART NUMBER	R A N K	Q' T Y	DESCRIPTION	SERIAL NUMBER / REMARKS
130 -	FG6 - 4041 - 00S		1	CONTROL PANEL ASSEMBLY	PC860 SEE NOTE
	FG6 - 4039 - 00S		1	CONTROL PANEL ASSEMBLY	PC880 SEE NOTE
	FG6 - 4038 - 00S		1	CONTROL PANEL ASSEMBLY	PC890 SEE NOTE
	FG6 - 4063 - 000		1	CONTROL PANEL ASSEMBLY	PC920 120V SEE NOTE
	FG6 - 4040 - 000		1	CONTROL PANEL ASSEMBLY	PC920 220/240V SEE NOTE
	FG6 - 4062 - 000		1	CONTROL PANEL ASSEMBLY	PC921 SEE NOTE
	FG6 - 4035 - 000		1	CONTROL PANEL ASSEMBLY	PC940 SEE NOTE
	FG6 - 4037 - 000		1	CONTROL PANEL ASSEMBLY	PC941 SEE NOTE
	FG6 - 4042 - 000		1	CONTROL PANEL ASSEMBLY	PC950 100V SEE NOTE
	FG6 - 4031 - 000		1	CONTROL PANEL ASSEMBLY	PC950 120V SEE NOTE
	FG6 - 4043 - 000		1	CONTROL PANEL ASSEMBLY	PC950 220/240V SEE NOTE
	FG6 - 4033 - 000		1	CONTROL PANEL ASSEMBLY	PC960 SEE NOTE
	FG6 - 4030 - 000		1	CONTROL PANEL ASSEMBLY	PC980 SEE NOTE
	FG6 - 4032 - 000		1	CONTROL PANEL ASSEMBLY	PC981 SEE NOTE
	1	FB5 - 0123 - 000		1	KEY TOP, START
2	FB5 - 0124 - 000		1	KEY TOP, CLEAR/STOP	
3	FB5 - 0143 - 00S		1	PANEL, CLEAR	PC860
	FB5 - 0142 - 00S		1	PANEL, CLEAR	PC880
	FB5 - 0141 - 00S		1	PANEL, CLEAR	PC890
	FB5 - 1874 - 000		1	PANEL, CLEAR	PC920 120V
	FB5 - 1869 - 000		1	PANEL, CLEAR	PC920 220/240V
	FB5 - 1873 - 000		1	PANEL, CLEAR	PC921
	FB5 - 0138 - 000		1	PANEL, CLEAR	PC940
	FB5 - 0140 - 000		1	PANEL, CLEAR	PC941
	FB5 - 0144 - 000		1	PANEL, CLEAR	PC950 100V
	FB5 - 0135 - 000		1	PANEL, CLEAR	PC950 120V
	FB5 - 1868 - 000		1	PANEL, CLEAR	PC950 220/240V
	FB5 - 0137 - 000		1	PANEL, CLEAR	PC960
	FB5 - 0122 - 000		1	PANEL, CLEAR	PC980
	FB5 - 0136 - 000		1	PANEL, CLEAR	PC981

FIGURE & KEY NO.	PART NUMBER	RANK	QTY	DESCRIPTION	SERIAL NUMBER / REMARKS
130 - 4	FB5 - 0146 - 000		1	KEY TOP, NUMBER	PC860/940 PC920 120V
	FB5 - 0125 - 000		1	KEY TOP, NUMBER	PC880/890/980 PC950 100/220/240V
	FB5 - 0145 - 000		1	KEY TOP, NUMBER	PC921/941/981 PC920 220/240V
	FB5 - 0147 - 000		1	KEY TOP, NUMBER	PC960 PC950 120V
	5	FB5 - 0150 - 000		1	KEY TOP, FUNCTION, 1
	FB5 - 0126 - 000		1	KEY TOP, FUNCTION, 1	PC880/890/980 PC950 100/220/240V
	FB5 - 0152 - 000		1	KEY TOP, FUNCTION, 1	PC920 220/240V
	FB5 - 0148 - 000		1	KEY TOP, FUNCTION, 1	PC950 120V
	FB5 - 0151 - 000		1	KEY TOP, FUNCTION, 1	PC960
	FB5 - 0149 - 000		1	KEY TOP, FUNCTION, 1	PC981
6	FB5 - 0155 - 000		1	KEY TOP, FUNCTION, 2	PC860/940 PC920 120V
	FB5 - 0127 - 000		1	KEY TOP, FUNCTION, 2	PC880/890/980 PC950 100/220/240V
	FB5 - 0154 - 000		1	KEY TOP, FUNCTION, 2	PC921/941/981 PC920 220/240V
	FB5 - 0156 - 000		1	KEY TOP, FUNCTION, 2	PC960 PC950 120V
7	FB5 - 1851 - 000		1	KNOB, DENSITY CONTROL	PC860/940 PC920 120V
	FB5 - 0128 - 000		1	KNOB, DENSITY CONTROL	PC880/890/980 PC950 100/220/240V
	FB5 - 1850 - 000		1	KNOB, DENSITY CONTROL	PC921/941/981 PC920 220/240V
	FB5 - 1852 - 000		1	KNOB, DENSITY CONTROL	PC960 PC950 120V

FIGURE 160 COPYBOARD COVER ASSEMBLY (NON ADF TYPE)

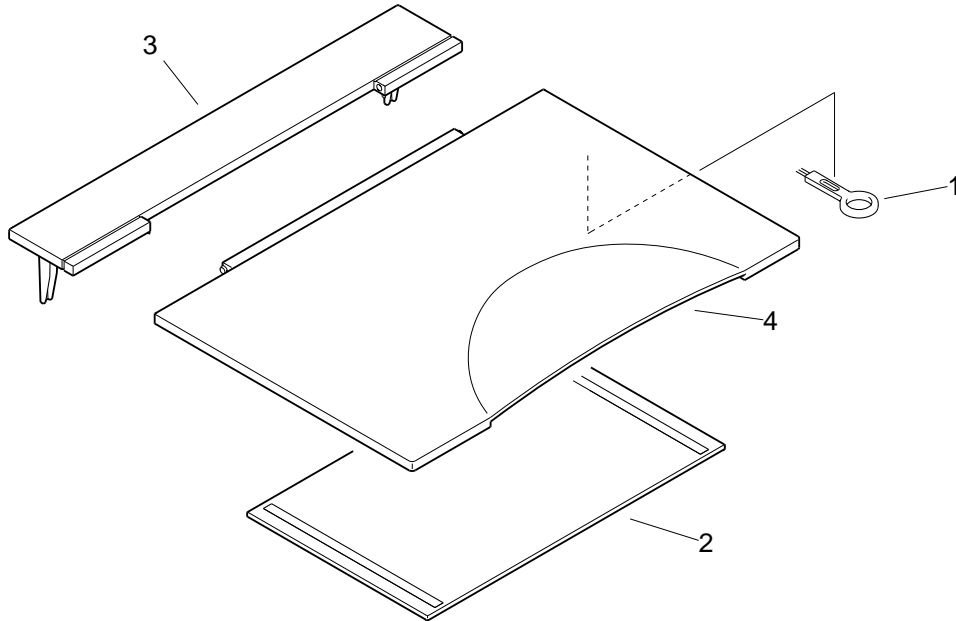


FIGURE & KEY NO.	PART NUMBER	RANK	QTY	DESCRIPTION	SERIAL NUMBER / REMARKS
160 -	FG6 - 3737 - 000		1	COPYBOARD COVER ASSEMBLY	NON ADF TYPE
1	FB1 - 0733 - 000		1	BRUSH, CLEANING	
2	FB1 - 8870 - 000		1	SHEET, COPYBOARD	
3	FB2 - 5424 - 000		1	COVER, COPYBOARD, SMALL	
4	FB4 - 9887 - 000		1	COVER, COPYBOARD, LARGE	

FIGURE 161 ADF ASSEMBLY (ADF TYPE)(1/2)

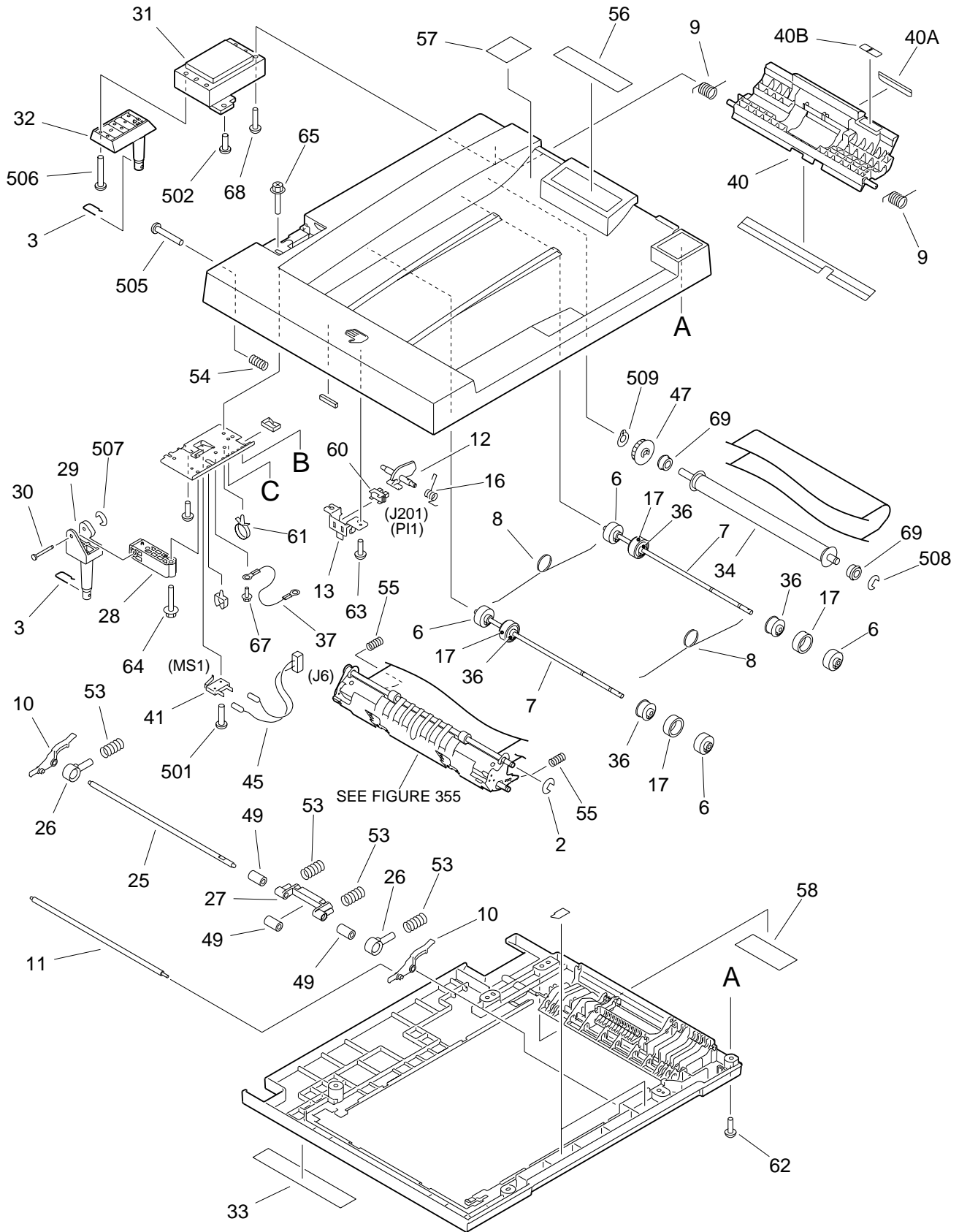


FIGURE 161 ADF ASSEMBLY (ADF TYPE)(2/2)

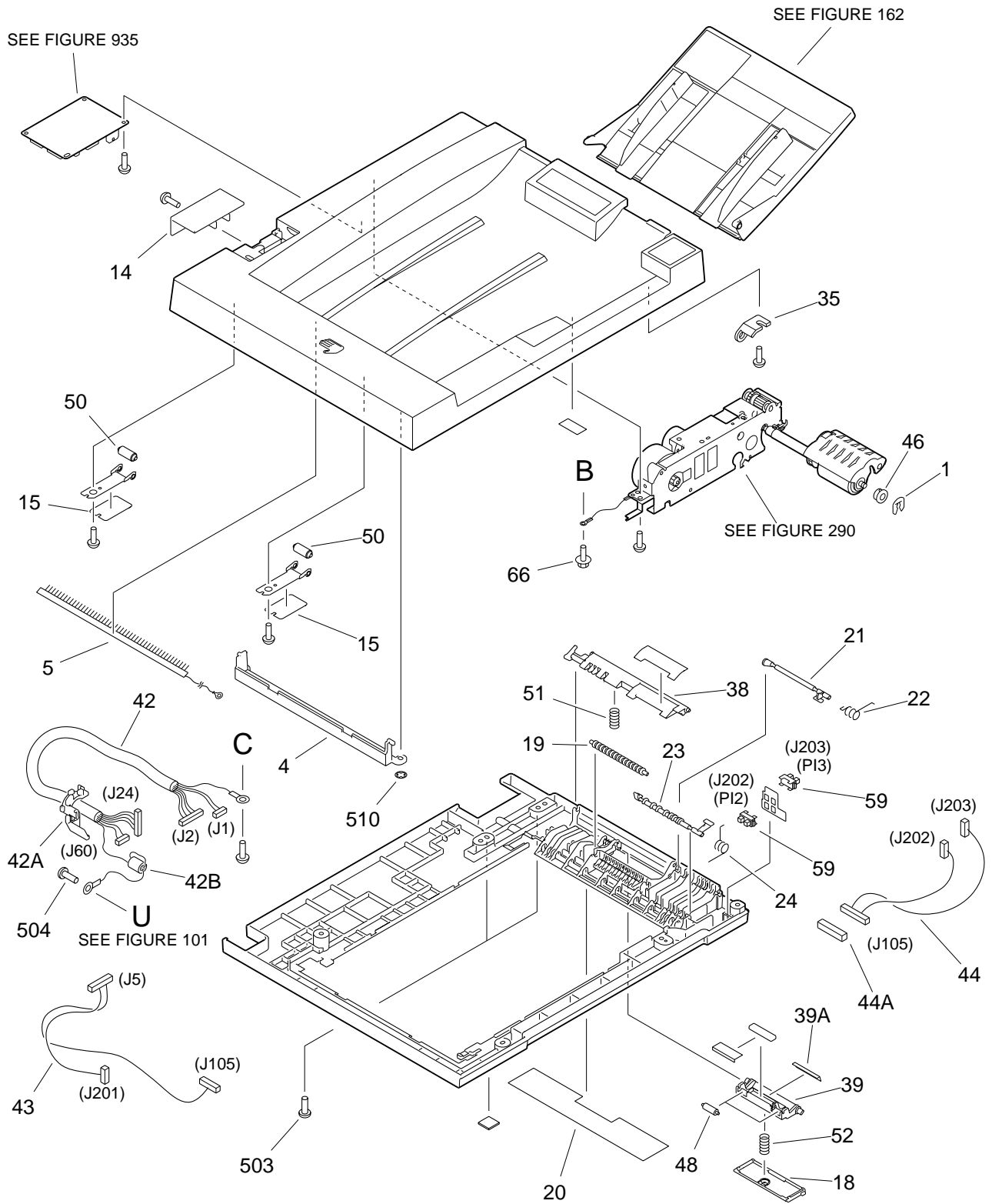
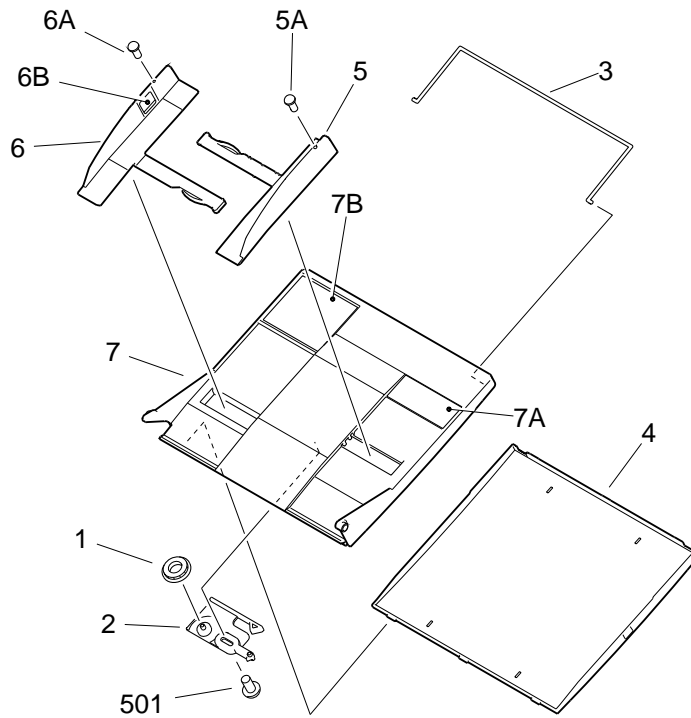


FIGURE & KEY NO.	PART NUMBER	RANK	QTY	DESCRIPTION	SERIAL NUMBER / REMARKS
161 -	NPN		RF	ADF ASSEMBLY	ADF TYPE
1	FA5 - 2864 - 020		1	RING, RETAINING	
2	FA9 - 2873 - 000		1	RING, E	
3	FB3 - 0829 - 000		2	PIN, DF SUPPORT	
4	FB3 - 3311 - 000		1	CROSSMEMBER, DELIVERY	
5	FB3 - 3312 - 000		1	ELIMINATOR, STATIC CHARGE	
6	FB3 - 3314 - 020		4	ROLLER, BELT, 1	
7	FB3 - 3315 - 020		2	SHAFT, BELT	
8	FB3 - 3316 - 000		2	SPRING, TORSION	
9	FB3 - 3321 - 000		2	SPRING, TORSION	
10	FB3 - 3322 - 000		2	LINK, RELEASE	
11	FB3 - 3323 - 000		1	SHAFT, TENSION	
12	FB3 - 3324 - 000		1	FLAG, SENSOR	
13	FB3 - 3325 - 000		1	MOUNT, SENSOR	
14	FB3 - 3326 - 000		1	COVER, POCKET	
15	FB3 - 3329 - 000		2	SHEET, 3	
16	FB3 - 3330 - 000		1	SPRING, TORSION	
17	FB3 - 3332 - 000		4	ROLLER, RUBBER	
18	FB3 - 3335 - 000		1	COVER, PAD	
19	FB3 - 3336 - 000		1	ROLLER, GUIDE	
20	FB3 - 3338 - 000		1	SHEET, 2	
21	FB3 - 3342 - 000		1	FLAG, SENSOR, 1	
22	FB3 - 3343 - 000		1	SPRING, TORSION	
23	FB3 - 3344 - 000		1	FLAG, SENSOR, 2	
24	FB3 - 3345 - 000		1	SPRING, TORSION	
25	FB3 - 3346 - 000		1	SHAFT, REGISTRATION	
26	FB3 - 3347 - 000		2	LINK, PRESSURE	
27	FB3 - 3348 - 000		1	LEVER, RELEASE	
28	FB3 - 3356 - 000		1	HINGE, LEFT, UPPER	
29	FB3 - 3357 - 020		1	HINGE, LEFT, LOWER	

FIGURE & KEY NO.	PART NUMBER	RANK	QTY	DESCRIPTION	SERIAL NUMBER / REMARKS
161 - 30	FB3 - 3358 - 000		1	SHAFT, LEFT HINGE	
31	FB3 - 3360 - 030		1	HINGE, FREE STOP	
32	FB3 - 3361 - 000		1	FOOT, HINGE, RIGHT	
33	FB3 - 3364 - 000		1	LABEL, OPERATION, 4	
34	FB3 - 3365 - 000		1	ROLLER, DRIVE	
35	FB3 - 3401 - 000		1	BUSHING, LEVER	
36	FB3 - 3402 - 020		4	ROLLER, BELT, 2	
37	FF3 - 1070 - 000		1	CABLE, GROUNDING	
38	FF5 - 4677 - 000		1	PLATE, PAPER LIFTER	
39	FF5 - 4679 - 020		1	FLAPPER	
39 A	FB3 - 3350 - 000		1	SHEET, INLET	
40	FF5 - 6753 - 000		1	HANDLE, UPPER	
40 A	FB4 - 1154 - 000		1	SHEET, INLET	
40 B	FS6 - 8091 - 000		1	LABEL, "PUSH"	
41	FF5 - 6761 - 000		1	MICROSWITCH	MS1
42	FG2 - 7467 - 000		1	CABLE, INTERFACE	J1,2,24,60
42 A	FB3 - 0835 - 000		1	GUIDE, CABLE	
42 B	WE8 - 0098 - 000		1	FERRITE CORE	
43	FG2 - 7469 - 000		1	CABLE, SENSOR, 1	J5,105,201
44	FG2 - 7470 - 000		1	CABLE, SENSOR, 2	J105,202,203
44 A	VS1 - 5057 - 006		1	CONNECTOR, SNAP TIGHT	J105
45	FG2 - 7471 - 000		1	CABLE, MICROSWITCH	J6
46	FS1 - 1190 - 000		1	BUSHING	
47	FS5 - 3458 - 000		1	PULLEY, 44T	
48	FS5 - 6453 - 000		2	ROLLER, DAMPER	
49	FS5 - 6454 - 000		3	ROLLER, REGISTRATION	
50	FS5 - 6455 - 000		2	ROLLER, 2	
51	FS6 - 2369 - 000		1	SPRING, COMPRESSION	
52	FS6 - 2370 - 000		1	SPRING, COMPRESSION	
53	FS6 - 2371 - 000		4	SPRING, COMPRESSION	

FIGURE & KEY NO.	PART NUMBER	RANK	QTY	DESCRIPTION	SERIAL NUMBER / REMARKS
161 - 54	FS6 - 2373 - 000		1	SPRING, COMPRESSION	
55	FS6 - 2374 - 000		2	SPRING, COMPRESSION	
56	FS6 - 8089 - 000		1	LABEL, OPERATION, 1	
57	FS6 - 8948 - 000		1	LABEL, OPERATION, 2	
58	FS6 - 8949 - 000		1	LABEL, OPERATION, 3	
59	WG8 - 5206 - 010		2	PHOTO-INTERRUPTER	PI2,3 J202,203
60	WG8 - 5309 - 000		1	PHOTO-INTERRUPTER	PI1 J201
61	WT2 - 5041 - 000		1	CLAMP, CABLE	
62	XA9 - 0605 - 000		12	SCREW,M4X8	
63	XA9 - 0605 - 000		4	SCREW,M4X8	
64	XA9 - 0632 - 000		2	SCREW,RS,M4X26	
65	XA9 - 0632 - 000		1	SCREW,RS,M4X26	
66	XA9 - 0633 - 000		1	SCREW,RS,M4X8	
67	XA9 - 0633 - 000		1	SCREW,RS,M4X8	
68	XA9 - 0976 - 000		4	SCREW,P,M4X16	
69	XG9 - 0237 - 000		2	BEARING, BALL	
501	XB1 - 2301 - 209		1	SCREW,MACH.,TRUSS HEAD,M3X12	
502	XB1 - 2400 - 609		2	SCREW,MACH.,TRUSS HEAD,M4X6	
503	XB1 - 2400 - 609		2	SCREW,MACH.,TRUSS HEAD,M4X6	
504	XB2 - 6300 - 607		1	SCREW,W/WASHER,M3X6	
505	XB4 - 7301 - 209		5	SCREW,TAPPING,TRUSS HEAD,M3X12	
506	XB6 - 7301 - 609		1	SCREW,TP,M3X16	
507	XD2 - 1100 - 322		1	RING,E	
508	XD2 - 1100 - 642		1	RING,E	
509	XD2 - 2100 - 802		1	RING,GRIP	
510	XD2 - 2300 - 502		2	RING,TOOTHED LOCK	

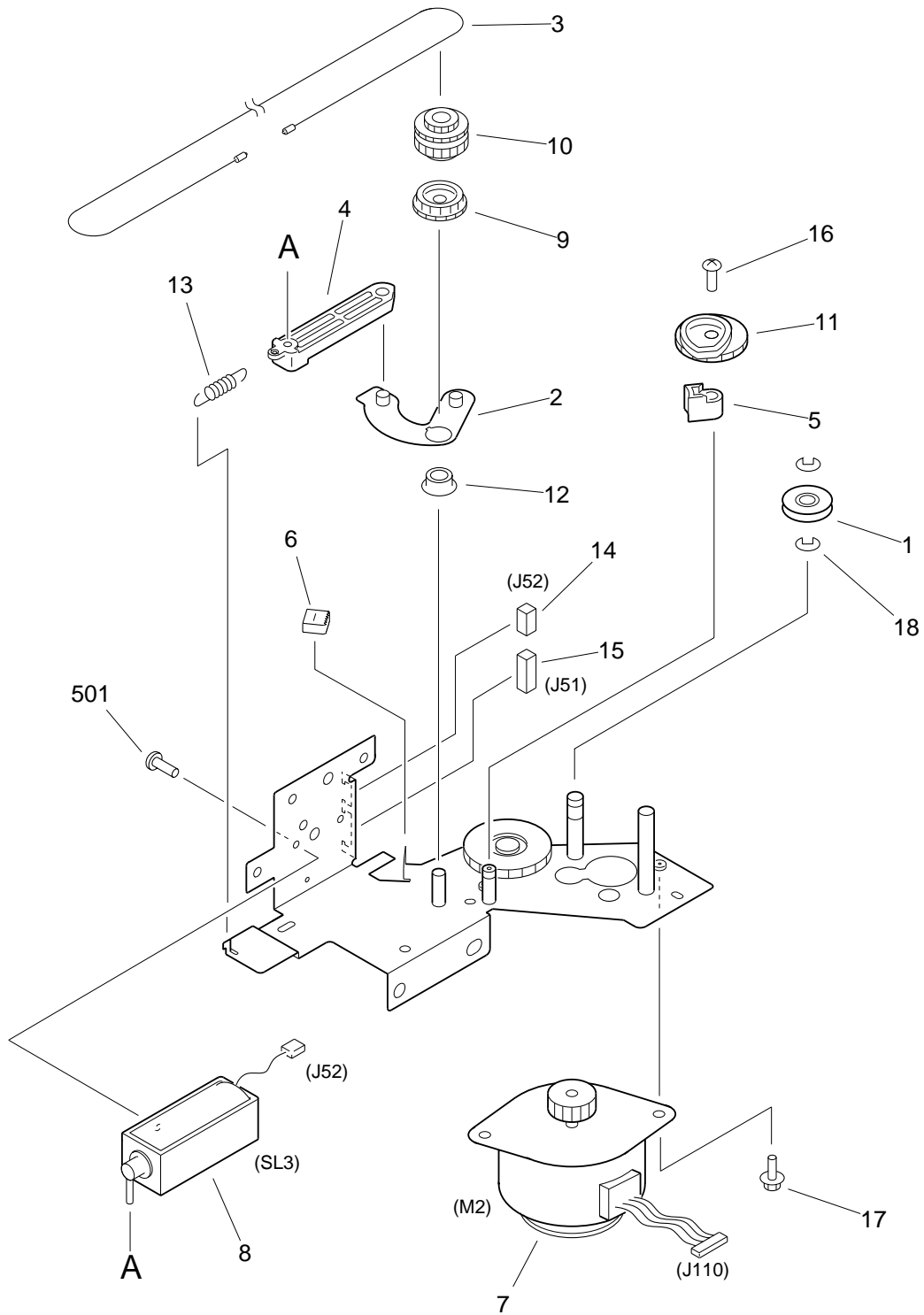
FIGURE 162 ADF TRAY ASSEMBLY (ADF TYPE)



NOTE: This assembly does not include the parts shown with key No.3 and 4.

FIGURE & KEY NO.	PART NUMBER	RANK	QTY	DESCRIPTION	SERIAL NUMBER / REMARKS
162 -	FG5 - 6418 - 000		1	ADF TRAY ASSEMBLY	ADF TYPE
1	FB3 - 3395 - 000		1	GEAR, 20T	
2	FB3 - 3396 - 000		1	PLATE, SLIDE	
3	FB3 - 3397 - 000		1	TRAY, SUB	SEE NOTE
4	FB4 - 1159 - 000		1	COVER, LOWER	SEE NOTE
5	FF5 - 6756 - 000		1	GUIDE, SLIDE, FRONT	
5 A	FB3 - 3392 - 000		1	RUBBER, STOP	
6	FF5 - 6757 - 000		1	GUIDE, SLIDE, REAR	
6 A	FB3 - 3392 - 000		1	RUBBER, STOP	
6 B	FS6 - 8196 - 000		1	LABEL, CARD HEIGHT	
7	FF5 - 6758 - 000		1	TRAY, DOCUMENT	
7 A	FS6 - 8197 - 000		1	LABEL, SIZE	
7 B	FS6 - 8950 - 000		1	LABEL, "DOCUMENT SET OPERATE"	
501	XB1 - 2400 - 609		1	SCREW, MACH., TRUSS HEAD, M4X6	

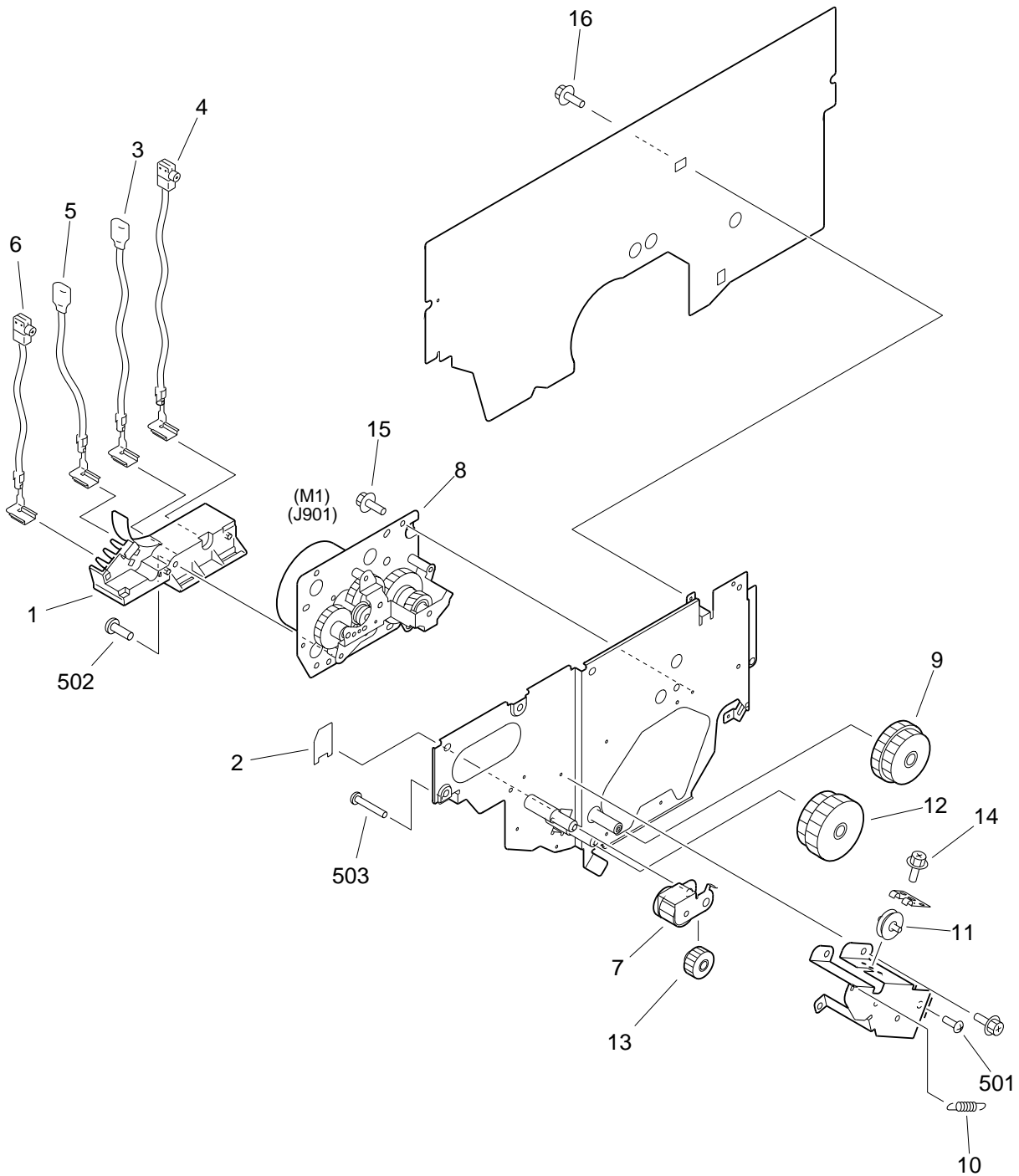
FIGURE 220 SCANNER DRIVE ASSEMBLY



NOTE: This assembly does not include the parts shown with key No. 3, 5, 11 and 16.

FIGURE & KEY NO.	PART NUMBER	R A N K	Q' T Y	DESCRIPTION	SERIAL NUMBER / REMARKS
220 -	FG6 - 3733 - 000		1	SCANNER DRIVE ASSEMBLY	
1	FB2 - 4616 - 000		1	PULLEY	
2	FB2 - 4701 - 020		1	ARM, SOLENOID, 1	
3	FB2 - 4702 - 000		1	WIRE, SCANNER DRIVE	SEE NOTE
4	FB2 - 4703 - 000		1	ARM, SOLENOID, B	
5	FB2 - 4704 - 000		1	BLOCK, WIRE STOP	SEE NOTE
6	FB2 - 4705 - 000		1	RUBBER, STOP	
7	FH6 - 1079 - 000		1	MOTOR, STEPPING	M2 J110
8	FH7 - 5565 - 030		1	SOLENOID	SL3 J52
9	FS5 - 0917 - 000		1	GEAR, 45T	
10	FS5 - 0918 - 000		1	GEAR, 24T/39T	
11	FS5 - 0919 - 000		1	GEAR, 53T	SEE NOTE
12	FS5 - 1439 - 000		1	BUSHING	
13	FS5 - 2821 - 000		1	SPRING, TENSION	
14	VS1 - 5057 - 002		1	CONNECTOR, SNAP TIGHT	J52
15	VS1 - 5057 - 006		1	CONNECTOR, SNAP TIGHT	J51
16	XA9 - 0187 - 000		1	SCREW,M3X6	SEE NOTE
17	XA9 - 0760 - 000		2	SCREW,RS,M3X6	
18	XD9 - 0136 - 000		2	RING,E	
501	XB1 - 2300 - 409		2	SCREW,MACH.,TRUSS HEAD,M3X4	

FIGURE 230 MAIN DRIVE ASSEMBLY



NOTE: This assembly does not include the parts shown with key No. 1, 3, 4, 5, 6, 14, 16, 502 and 503.

FIGURE & KEY NO.	PART NUMBER	RANK	QTY	DESCRIPTION	SERIAL NUMBER / REMARKS
230 -	FG6 - 3719 - 000		1	MAIN DRIVE ASSEMBLY	
1	FB2 - 4927 - 000		1	MOUNT, TERMINAL, UPPER	SEE NOTE
2	FB4 - 9893 - 000		1	PLATE, BLANKING	
3	FF2 - 9724 - 000		1	CABLE, TERMINAL, PRIMARY	SEE NOTE
4	FF2 - 9725 - 000		1	CABLE, TERMINAL, TRANSFER	SEE NOTE
5	FF2 - 9726 - 000		1	CABLE, TERMINAL	SEE NOTE
6	FF2 - 9727 - 000		1	CABLE, TERMINAL, ELIMINATOR	SEE NOTE
7	FF5 - 8991 - 000		1	PLATE, SWING	
8	FG6 - 3739 - 000		1	MAIN MOTOR UNIT	M1 J901
9	FS5 - 0905 - 000		1	GEAR, 58T/35T	
10	FS5 - 2785 - 000		1	SPRING, TENSION	
11	FS5 - 6393 - 000		1	ROLLER, IDLER	
12	FS7 - 0443 - 000		1	GEAR, 38T/42T	
13	FS7 - 0444 - 000		1	GEAR, 18T	
14	XA9 - 0760 - 000		AR	SCREW,RS,M3X6	SEE NOTE
15	XA9 - 0760 - 000		8	SCREW,RS,M3X6	
16	XA9 - 0762 - 000		1	SCREW,RS,M3X8	NON ADF TYPE SEE NOTE
	XA9 - 0760 - 000		1	SCREW,RS,M3X6	ADF TYPE SEE NOTE
501	XB1 - 2300 - 609		1	SCREW,MACH.,TRUSS HEAD,M3X6	
502	XB1 - 2400 - 609		1	SCREW,MACH.,TRUSS HEAD,M4X6	SEE NOTE
503	XB4 - 7401 - 009		AR	SCREW,TAPPING,TRUSS HEAD,M4X10	SEE NOTE

PAPER PICK-UP DRIVE ASSEMBLY (MULTI TYPE)

FIGURE 250

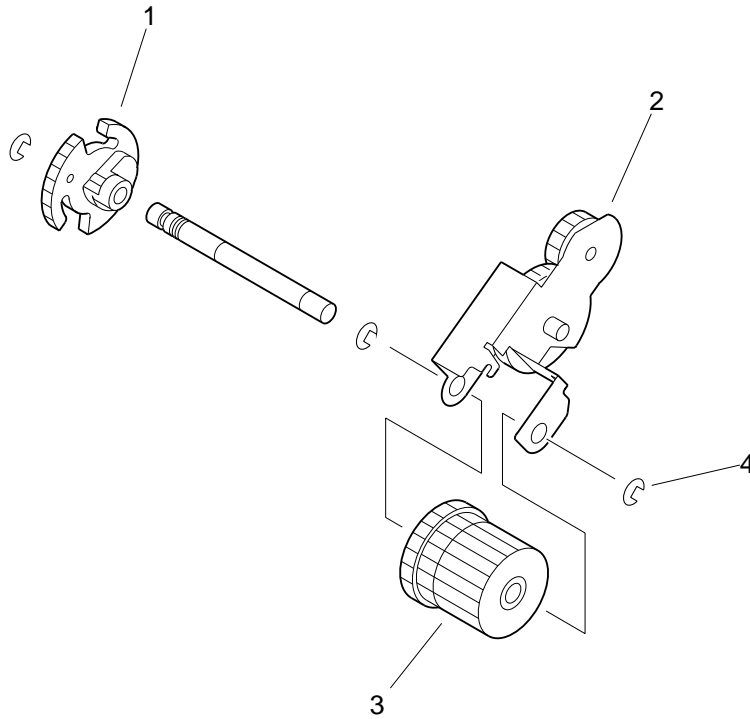


FIGURE & KEY NO.	PART NUMBER	R A N K	Q' T Y	DESCRIPTION	SERIAL NUMBER / REMARKS
250 -	FG6 - 3712 - 000		1	PAPER PICK-UP DRIVE ASSEMBLY	MULTI TYPE
1	FB2 - 5198 - 000		1	GEAR, 32T	
2	FF5 - 8992 - 000		1	PLATE, SWING	
3	FS7 - 0430 - 000		1	GEAR, 35T/32T	
4	XD9 - 0136 - 000		3	RING,E	

PAPER PICK-UP DRIVE ASSEMBLY (SINGLE TYPE)

FIGURE 251

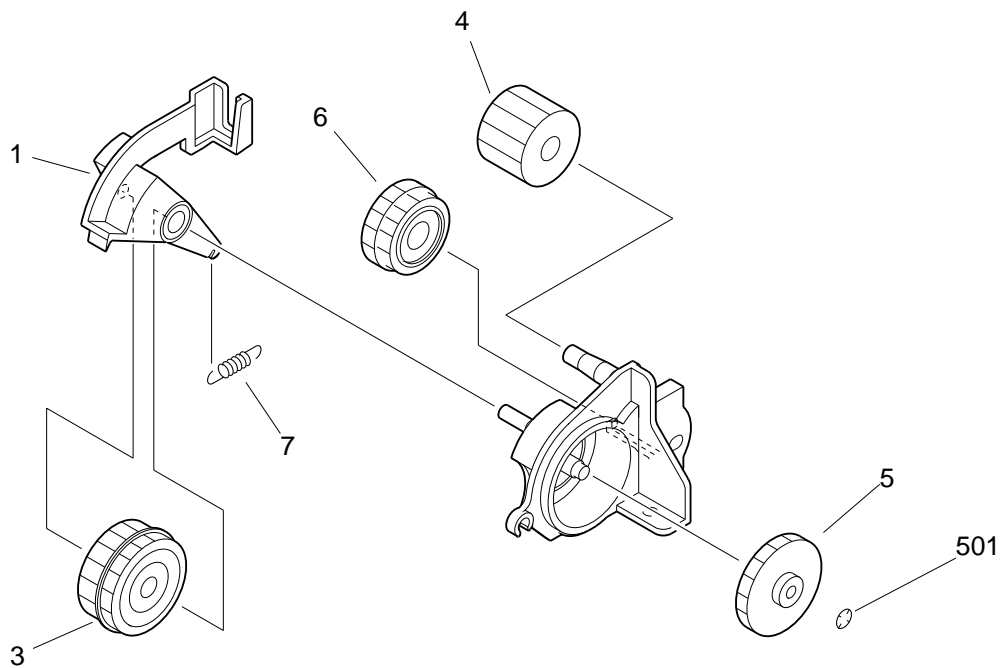
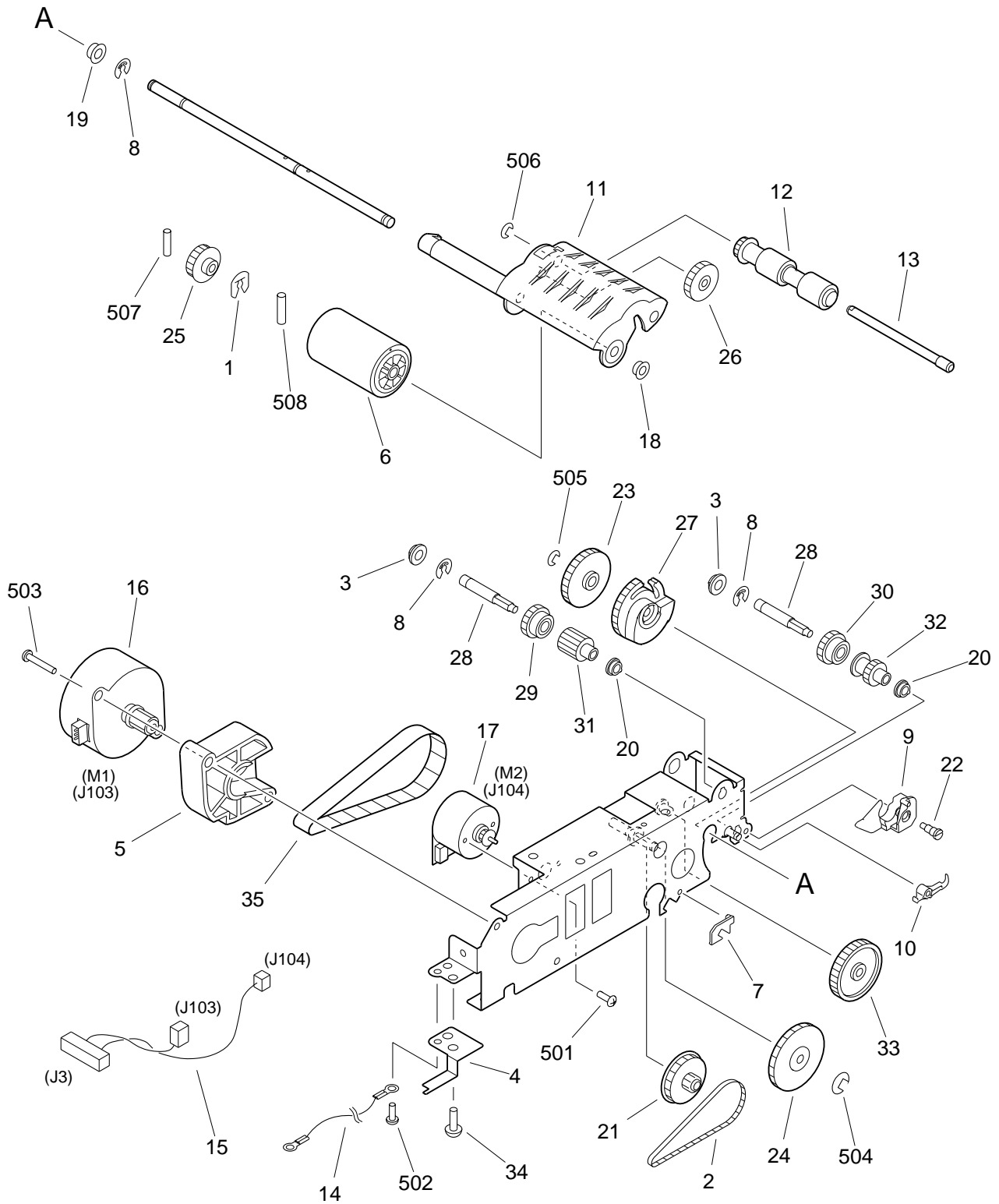


FIGURE & KEY NO.	PART NUMBER	R A N K	Q' T Y	DESCRIPTION	SERIAL NUMBER / REMARKS
251 -	FG6 - 4075 - 000		1	PICK-UP DRIVE ASSEMBLY	SINGLE TYPE
1	FB2 - 5275 - 000		1	LEVER, CLUTCH	
2	FB4 - 9835 - 000		1	LEVER, CLUTCH	
3	FS5 - 0894 - 000		1	GEAR, 26T	
4	FS5 - 0895 - 000		1	GEAR, 20T	
5	FS5 - 0896 - 000		1	GEAR, 29T	
6	FS5 - 0897 - 000		1	GEAR, 25T/26T	
7	FS5 - 2775 - 000		1	SPRING, TENSION	
501	XD2 - 2300 - 402		1	RING, TOOTHED LOCK	

FIGURE 290 ADF DRIVE ASSEMBLY (ADF TYPE)



NOTE: This assembly does not include the parts shown with key No.4 and 34.

FIGURE & KEY NO.	PART NUMBER	R A N K	Q' T Y	DESCRIPTION	SERIAL NUMBER / REMARKS
290 -	FG5 - 6420 - 000		1	ADF DRIVE ASSEMBLY	ADF TYPE
1	FA5 - 2864 - 020		1	RING, RETAINING	
2	FA9 - 3268 - 000		1	BELT, TIMING, COGGED	
3	FA9 - 3668 - 000		2	BUSHING	
4	FB3 - 3353 - 000		1	PLATE, GROUNDING	SEE NOTE
5	FB3 - 3371 - 000		1	MOUNT, MOTOR	
6	FB3 - 3373 - 020		1	ROLLER, PAPER PICK-UP	
7	FB3 - 3377 - 000		1	SUPPORT, REGIST. SHAFT	
8	FB3 - 3400 - 000		3	RING, E	
9	FB4 - 1148 - 000		1	BLOCK, CAM LINK, 1	
10	FB4 - 1149 - 000		1	BLOCK, CAM LINK, 2	
11	FB4 - 1150 - 000		1	HOLDER, PAPER PICK-UP ROLLER	
12	FB4 - 1151 - 000		1	ROLLER, PAPER PICK-UP	
13	FB4 - 1152 - 000		1	SHAFT, PAPER PICK-UP ROLLER	
14	FF3 - 1070 - 000		1	CABLE, GROUNDING	
15	FG2 - 7468 - 000		1	CABLE, MOTOR	J3,103,104
16	FH6 - 1237 - 000		1	STEPPING MOTOR, DC24V	M1 J103
17	FH6 - 1238 - 000		1	MOTOR, DC24W	M2 J104
18	FS1 - 1190 - 000		1	BUSHING	
19	FS1 - 1213 - 000		1	BUSHING	
20	FS5 - 1438 - 000		1	BUSHING	
21	FS5 - 3462 - 000		1	GEAR, 21T/44T	
22	FS5 - 9362 - 000		1	SCREW, STEPPED, M4	
23	FS6 - 0617 - 000		1	GEAR, PICK-UP, 44T	
24	FS6 - 0618 - 000		1	GEAR, 16T/64T	
25	FS6 - 0619 - 000		1	GEAR, 30T	
26	FS6 - 0620 - 000		1	GEAR, 35T	
27	FS6 - 0622 - 000		1	GEAR, CAM, 44T	
28	FS6 - 5517 - 000		2	SHAFT, GEAR	
29	FS7 - 0340 - 000		1	GEAR, 21T	

FIGURE & KEY NO.	PART NUMBER	R A N K	Q' T Y	DESCRIPTION	SERIAL NUMBER / REMARKS
290 - 30	FS7 - 0341 - 000		1	GEAR, 21T	SEE NOTE
31	FS7 - 0602 - 000		1	GEAR, 14T	
32	FS7 - 0603 - 000		1	GEAR, 14T	
33	FS7 - 0604 - 000		1	GEAR, 40T	
34	XA9 - 0605 - 000		1	SCREW,M4X8	
35	XF9 - 0350 - 000		1	BELT, TIMING	
501	XB1 - 2260 - 309		2	SCREW,MACH.,TRUSS HEAD,M2.6X3	
502	XB1 - 2400 - 609		1	SCREW,MACH.,TRUSS HEAD,M4X6	
503	XB1 - 2402 - 009		2	SCREW,MACH.,TRUSS HEAD,M4X20	
504	XD2 - 1100 - 402		1	RING,E	
505	XD2 - 1100 - 502		1	RING,E	
506	XD2 - 1200 - 322		2	RING,E	
507	XD3 - 2200 - 122		1	PIN,DOWEL	
508	XD3 - 2200 - 142		1	PIN,DOWEL	

FIGURE 300 CASSETTE (250 UNIVERSAL TYPE)

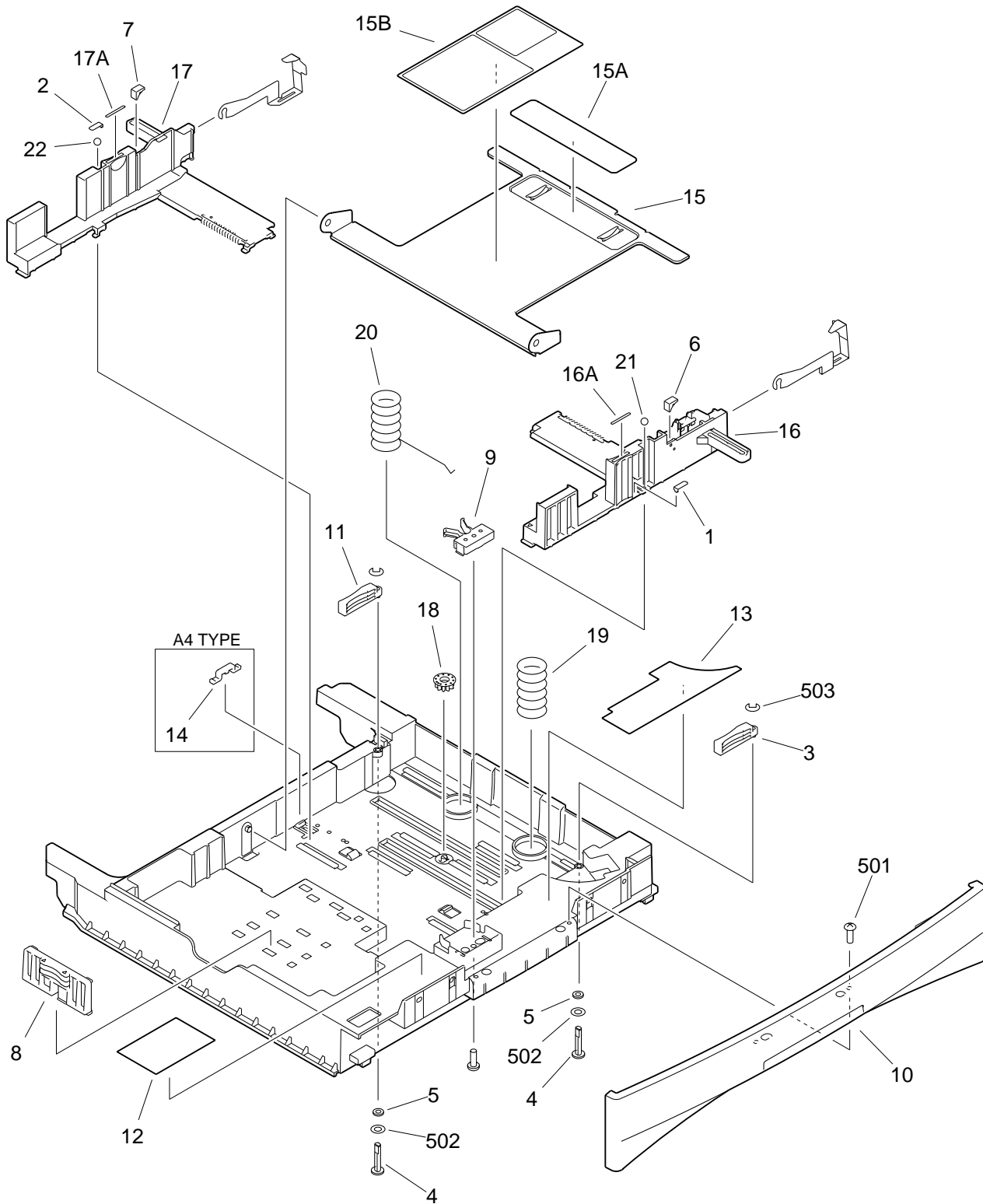


FIGURE & KEY NO.	PART NUMBER	RANK	QTY	DESCRIPTION	SERIAL NUMBER / REMARKS
300 -	NPN		RF	CASSETTE	250 UNIVERSAL TYPE
1	FB5 - 0165 - 000		1	SPRING, LEAF	
2	FB5 - 0165 - 000		1	SPRING, LEAF	
3	FB5 - 0168 - 000		1	LEVER, SIDE PLATE LOCK, FRONT	
4	FB5 - 0169 - 000		2	SHAFT, LOCK LEVER	
5	FB5 - 0170 - 000		2	PAD, RUBBER	
6	FB5 - 0171 - 000		1	SUPPORT, CLAW	
7	FB5 - 0171 - 000		1	SUPPORT, CLAW	
8	FB5 - 0172 - 000		1	PLATE, END SIDE LIMIT	
9	FB5 - 0173 - 000		1	GUIDE, POSITIONING	
10	FB5 - 0174 - 000		1	PANEL, CASSETTE, FRONT	
11	FB5 - 0175 - 000		1	LEVER, SIDE PLATE LOCK, REAR	
12	FB5 - 0176 - 000		1	LABEL, PAPER INSTRUCTION	
13	FB5 - 0177 - 000		1	LABEL, SIZE CHANGE INSTRUCTION	
14	FB5 - 0180 - 000		1	SUPPORT, STOP	A4 TYPE
15	FF5 - 9033 - 000		1	PLATE, PAPER LIFTING	
15 A	FB5 - 0159 - 000		1	SHEET, SEPARATION	
15 B	FB5 - 0179 - 000		1	LABEL, PLATE LIFTING	
16	FF5 - 9034 - 000		1	PLATE, SIDE LIMIT, FRONT	
16 A	FB5 - 0178 - 000		1	LABEL, SIDE PLATE OPERATION	
17	FF5 - 9035 - 000		1	PLATE, SIDE LIMIT, REAR	
17 A	FB5 - 0178 - 000		1	LABEL, SIDE PLATE OPERATION	
18	FS7 - 0457 - 000		1	GEAR, 10T	
19	FS7 - 2201 - 000		1	SPRING, COMPRESSION	
20	FS7 - 2202 - 000		1	SPRING, COMPRESSION	
21	X71 - 7503 - 000		1	BALL, SLIDE CLICK FEELING	
22	X71 - 7503 - 000		1	BALL, SLIDE CLICK FEELING	
501	XB4 - 7400 - 809		3	SCREW, TAPPING, TRUSS HEAD, M4X8	
502	XD1 - 1104 - 635		2	SHIM	
503	XD2 - 1200 - 202		2	RING, E	

FIGURE 301 CASSETTE (250 A4 TYPE)

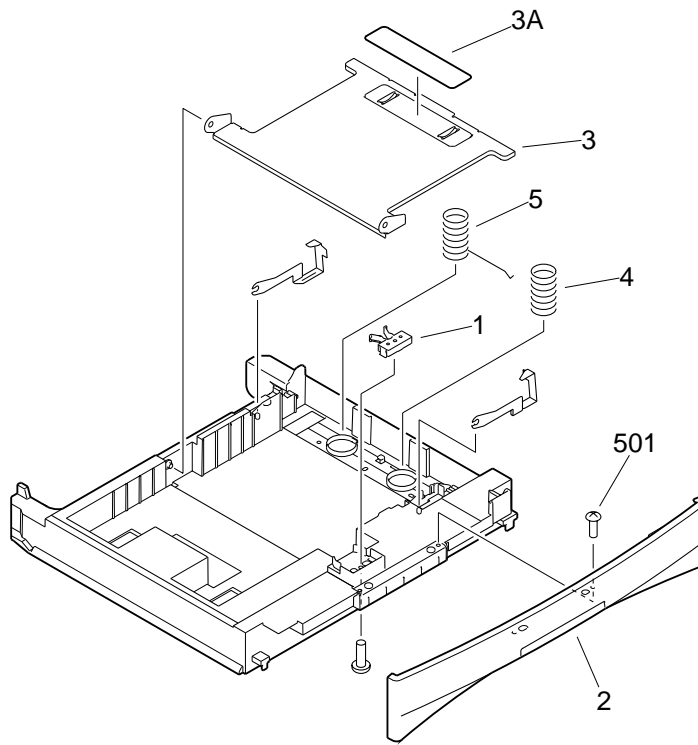


FIGURE & KEY NO.	PART NUMBER	RANK	QTY	DESCRIPTION	SERIAL NUMBER / REMARKS
301 -	NPN		RF	CASSETTE	250 A4 TYPE
1	FB5 - 0173 - 000		1	GUIDE, POSITIONING	
2	FB5 - 0174 - 000		1	PANEL, CASSETTE, FRONT	
3	FF5 - 9609 - 000		1	PLATE, PAPER LIFTING	
3A	FB5 - 0159 - 000		1	SHEET, SEPARATION	
4	FS7 - 2201 - 000		1	SPRING, COMPRESSION	
5	FS7 - 2202 - 000		1	SPRING, COMPRESSION	
501	XB4 - 7400 - 809		3	SCREW, TAPPING, TRUSS HEAD, M4X8	

FIGURE 302 CASSETTE (500 TYPE)

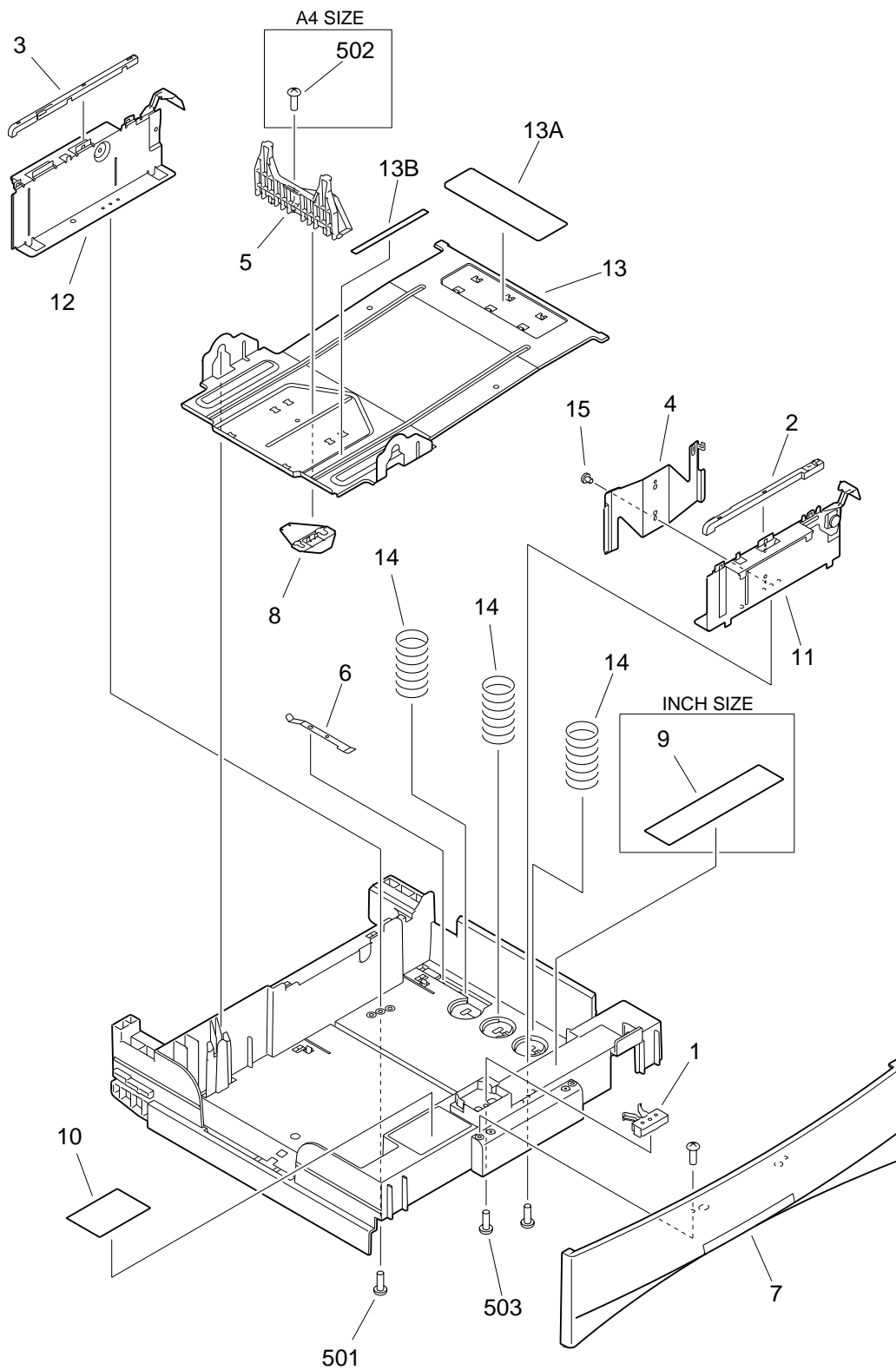
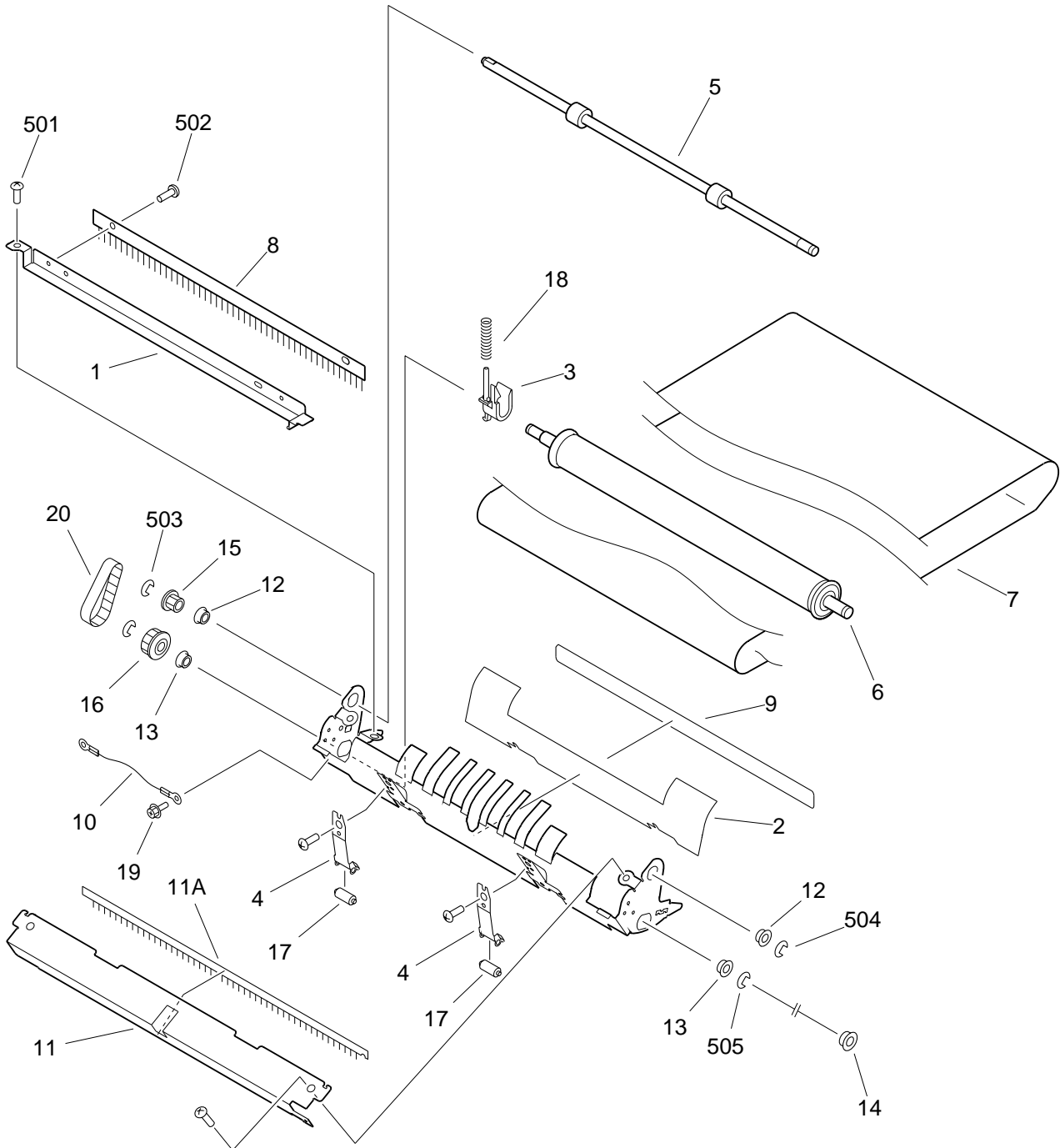


FIGURE & KEY NO.	PART NUMBER	RANK	QTY	DESCRIPTION	SERIAL NUMBER / REMARKS
302 -	NPN		RF	CASSETTE	500 TYPE
1	FB5 - 0173 - 000		1	GUIDE, POSITIONING	
2	FB5 - 0218 - 000		1	COVER, LIMIT PLATE, FRONT	
3	FB5 - 0219 - 000		1	COVER, LIMIT PLATE, REAR	
4	FB5 - 0220 - 000		1	SPRING, LEAF, SIDE LIMIT	
5	FB5 - 0221 - 000		1	PLATE, END SIDE LIMIT	
6	FB5 - 0222 - 000		1	SPRING, LEAF	
7	FB5 - 0223 - 000		1	PANEL, CASSETTE, FRONT	
8	FB5 - 0230 - 000		1	SPRING, LEAF, END LIMIT	
9	FB5 - 0232 - 000		1	LABEL, END LIMIT	INCH SIZE
10	FB5 - 0233 - 000		1	LABEL, PAPER SET	A4 SIZE
	FB5 - 0234 - 000		1	LABEL, PAPER SET	INCH SIZE
11	FF5 - 9073 - 000		1	PLATE, SIDE LIMIT, FRONT	
12	FF5 - 9074 - 000		1	PLATE, SIDE LIMIT, REAR	
13	FF5 - 9075 - 000		1	PLATE, PAPER LIFTING	
13 A	FB5 - 0229 - 000		1	SHEET, SEPARATION	
13 B	FB5 - 0231 - 000		1	LABEL, PAPER SIZE	
14	FS7 - 2211 - 000		3	SPRING, COMPRESSION	
15	XA9 - 0903 - 000		2	SCREW,M3X5	
501	XB1 - 2300 - 809		2	SCREW,MACH.,TRUSS HEAD,M3X8	
502	XB4 - 7300 - 505		1	SCREW,TAPPING,TRUSS HEAD,M3X5	A4 SIZE
503	XB4 - 7400 - 809		3	SCREW,TAPPING,TRUSS HEAD,M4X8	

FIGURE 355 ADF DELIVERY ASSEMBLY (ADF TYPE)



NOTE: This assembly does not include the part shown with key No.19.

FIGURE & KEY NO.	PART NUMBER	RANK	QTY	DESCRIPTION	SERIAL NUMBER / REMARKS
355 -	FG5 - 6413 - 000		1	ADF DELIVERY ASSEMBLY	ADF TYPE
1	FB3 - 3379 - 000		1	CROSSMEMBER, ELIMINATOR	
2	FB3 - 3381 - 000		1	SHEET, JUMP	
3	FB3 - 3382 - 000		1	SUPPORT, PAPER JUMP GUIDE	
4	FB3 - 3383 - 000		2	PLATE, ROLLER PRESSURE	
5	FB3 - 3385 - 020		1	ROLLER, PAPER DELIVERY	
6	FB3 - 3386 - 000		1	ROLLER, PAPER FEED	
7	FB3 - 3387 - 000		1	BELT, DOCUMENT FEED	
8	FB3 - 3388 - 000		1	ELIMINATOR, STATIC CHARGE, 1	
9	FB3 - 3408 - 000		1	SHEET, EXTENSION	
10	FF3 - 1071 - 000		1	CABLE, GROUNDING	
11	FF5 - 4686 - 000		1	PLATE, DELIVERY GUIDE	
11 A	FB3 - 3389 - 000		1	ELIMINATOR, STATIC CHARGE, 2	
12	FS1 - 1205 - 000		3	BUSHING	
13	FS1 - 1341 - 000		2	BUSHING	
14	FS1 - 1422 - 000		1	BUSHING	
15	FS5 - 3459 - 000		1	PULLEY, 14T	
16	FS5 - 3460 - 000		1	PULLEY, 26T	
17	FS5 - 6455 - 000		2	ROLLER, 2	
18	FS6 - 2375 - 000		1	SPRING, COMPRESSION	
19	XA9 - 0633 - 000		1	SCREW,RS,M4X8	SEE NOTE
20	XF9 - 0562 - 000		1	BELT, TIMING	
501	XB1 - 2300 - 609		2	SCREW,MACH.,TRUSS HEAD,M3X6	
502	XB1 - 2400 - 609		6	SCREW,MACH.,TRUSS HEAD,M4X6	
503	XD2 - 1100 - 322		1	RING,E	
504	XD2 - 1100 - 502		2	RING,E	
505	XD2 - 1100 - 642		1	RING,E	

FIGURE 400 MIRROR ASSEMBLY 1

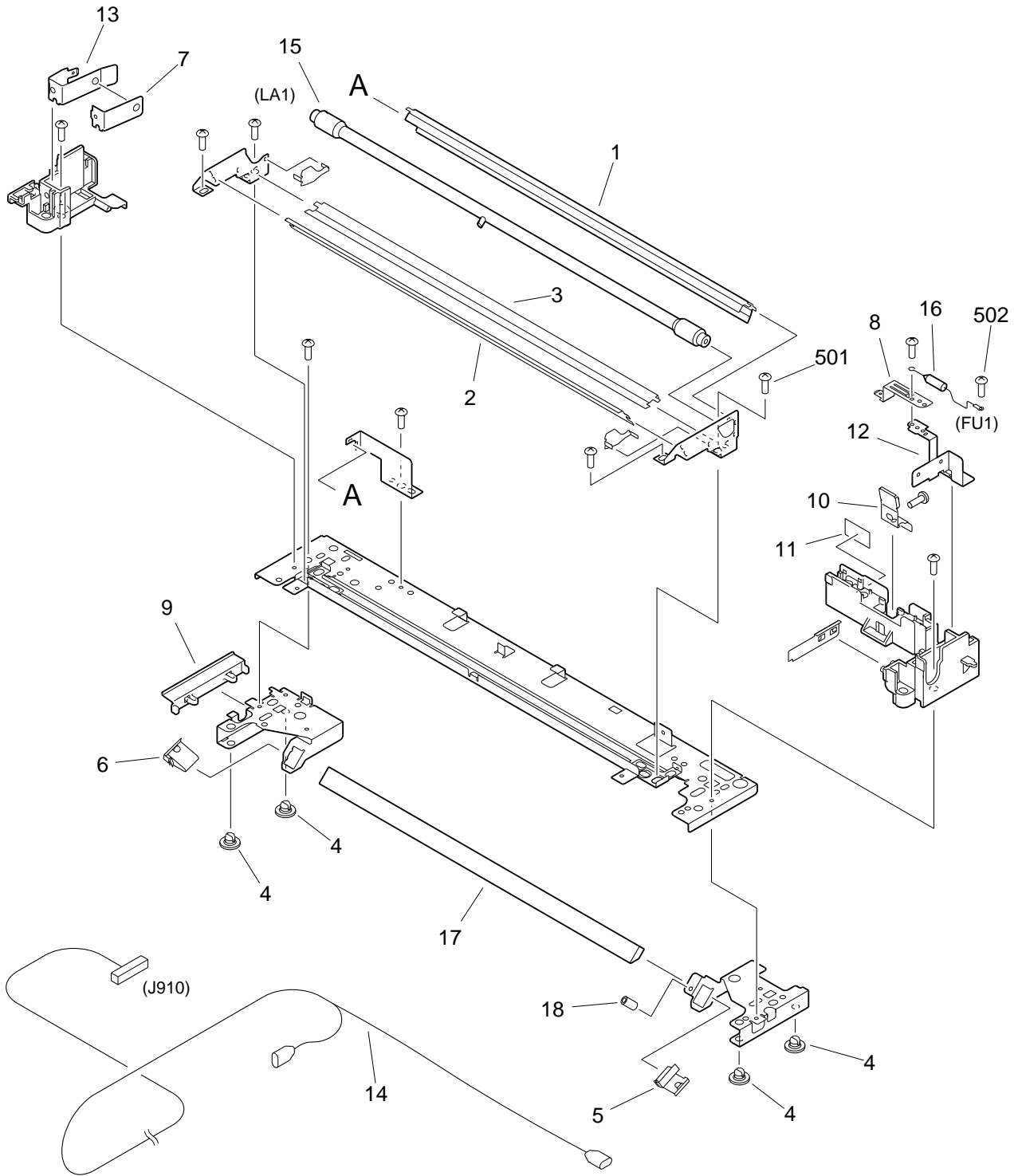


FIGURE & KEY NO.	PART NUMBER	RANK	QTY	DESCRIPTION	SERIAL NUMBER / REMARKS
400 -	FG6 - 3749 - 000	N	1	MIRROR ASSEMBLY 1	100/120V
	FG6 - 3750 - 000		1	MIRROR ASSEMBLY 1	220/240V
	1		FB5 - 0058 - 000	1	REFLECTOR, UPPER
2	FB5 - 0059 - 000	1	REFLECTOR, MIDDLE		
3	FB5 - 0060 - 000	1	REFLECTOR, LOWER		
4	FB5 - 0069 - 000		4	BLOCK, RAIL SLIDING	
5	FB5 - 0070 - 000		1	SPRING, LEAF, MIRROR	
6	FB5 - 0071 - 000		1	SPRING, LEAF, MIRROR	
7	FB5 - 0074 - 000		1	SPRING, LEAF	
8	FB5 - 0075 - 000		1	TERMINAL, FUSE PLATE	
9	FB5 - 0080 - 000		1	COVER, INSULATION	
10	FB5 - 0095 - 000		1	SPRING, LEAF, FUSE HOLDING	
11	FB5 - 0108 - 000		1	LABEL, THERMAL FUSE	
12	FF5 - 8986 - 000		1	PLATE, TERMINAL, FRONT	
13	FF5 - 8987 - 000		1	PLATE, TERMINAL, REAR	
14	FG6 - 3761 - 000		1	CABLE, MIRROR UNIT 1 LAMP	J910
15	FH7 - 3381 - 000		1	LAMP, HALOGEN 80V 110W	100/120V LA1
	FH7 - 3380 - 000		1	LAMP, HALOGEN 150V 160W	220/240V LA1
16	FH7 - 7511 - 000		1	FUSE, THERMAL	FU1
17	FN5 - 4143 - 000		1	MIRROR, 1	
18	XA9 - 0911 - 000		1	SETSCREW,M3X8	
501	XB1 - 2300 - 609		17	SCREW,MACH.,TRUSS HEAD,M3X6	
502	XB2 - 8300 - 607		2	SCREW,W/WASHER,M3X6	

FIGURE 401 MIRROR ASSEMBLY 2

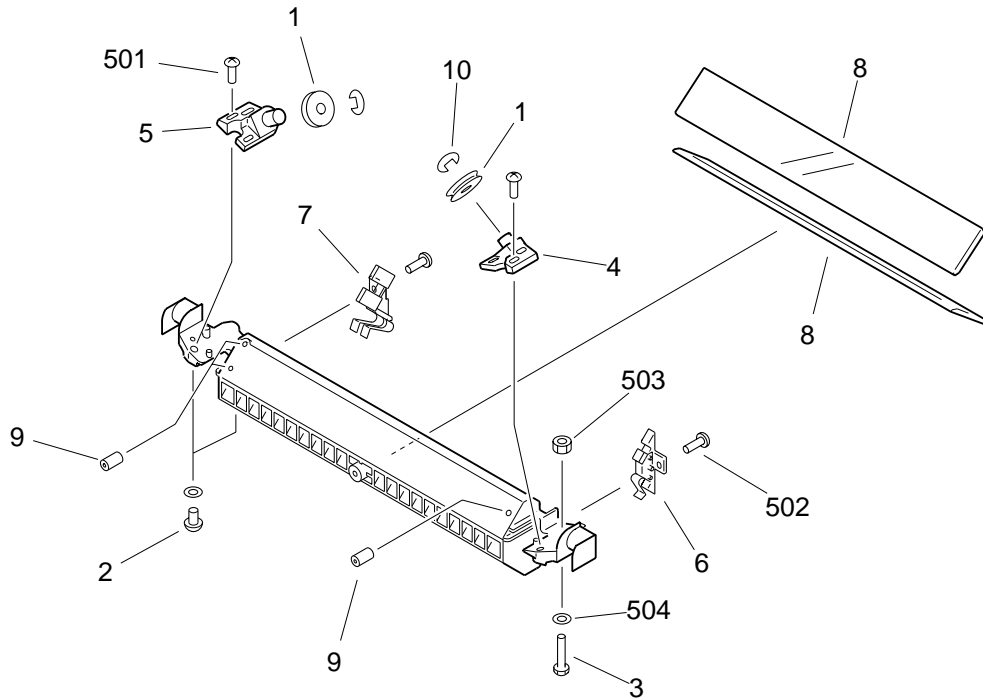


FIGURE & KEY NO.	PART NUMBER	RANK	QTY	DESCRIPTION	SERIAL NUMBER / REMARKS
401 -	FG6 - 3753 - 000	N	1	MIRROR ASSEMBLY 2	
1	FB2 - 4616 - 000		2	PULLEY	
2	FB2 - 4669 - 020		2	BLOCK, RAIL SLIDING	
3	FB2 - 4676 - 000		1	SCREW, ADJUSTING, M4	
4	FB2 - 4677 - 020		1	PLATE, WIRE POSITIONING, FRONT	
5	FB2 - 4678 - 020		1	PLATE, WIRE POSITIONING, REAR	
6	FF5 - 2899 - 000		1	HOLDER, MIRROR, FRONT	
7	FF5 - 2900 - 000		1	HOLDER, MIRROR, REAR	
8	FN5 - 4144 - 000		2	MIRROR, 2/3	
9	XA9 - 0911 - 000		3	SETSCREW, M3X8	
10	XD9 - 0136 - 000		2	RING, E	
501	XB4 - 7300 - 809		2	SCREW, TAPPING, TRUSS HEAD, M3X8	
502	XB4 - 7301 - 009		2	SCREW, TAPPING, TRUSS HEAD, M3X10	
503	XB7 - 2200 - 409		1	NUT, HEX, M4	
504	XD1 - 1104 - 635		2	SHIM	

FIGURE 402 ZOOM MIRROR ASSEMBLY

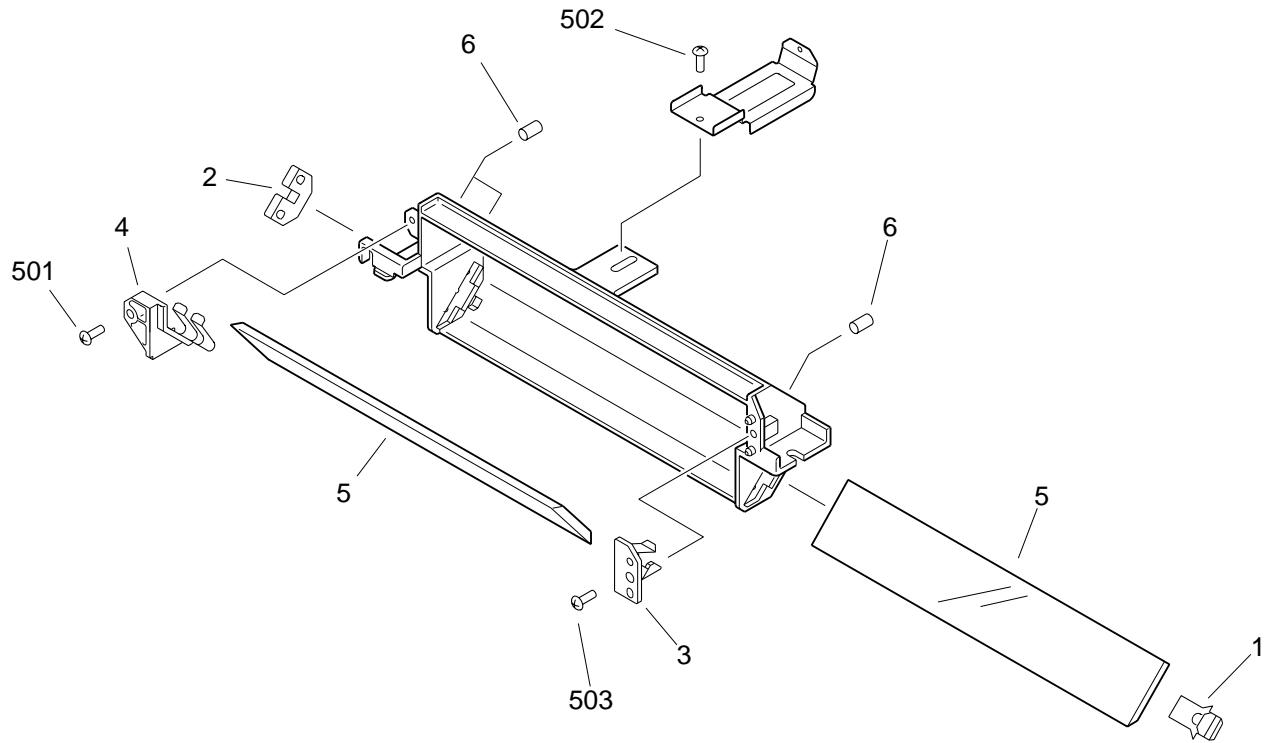


FIGURE & KEY NO.	PART NUMBER	RANK	QTY	DESCRIPTION	SERIAL NUMBER / REMARKS
402 -	FG6 - 3754 - 000	N	1	ZOOM MIRROR ASSEMBLY	
1	FB2 - 4694 - 020		1	SPRING, LEAF, MIRROR 5, FRONT	
2	FB2 - 4695 - 030		1	SPRING, LEAF, MIRROR 5, REAR	
3	FF5 - 2901 - 000		1	SPRING, LEAF, MIRROR 4, FRONT	
4	FF5 - 2902 - 000		1	SPRING, LEAF, MIRROR 4, REAR	
5	FN5 - 4145 - 000		2	MIRROR, 4/5	
6	XA9 - 0911 - 000		3	SETSCREW,M3X8	
501	XB1 - 2300 - 609		1	SCREW,MACH.,TRUSS HEAD,M3X6	
502	XB1 - 2300 - 809		1	SCREW,MACH.,TRUSS HEAD,M3X8	
503	XB4 - 7301 - 009		1	SCREW,TAPPING,TRUSS HEAD,M3X10	

FIGURE 450 BLANK EXPOSURE LAMP ASSEMBLY

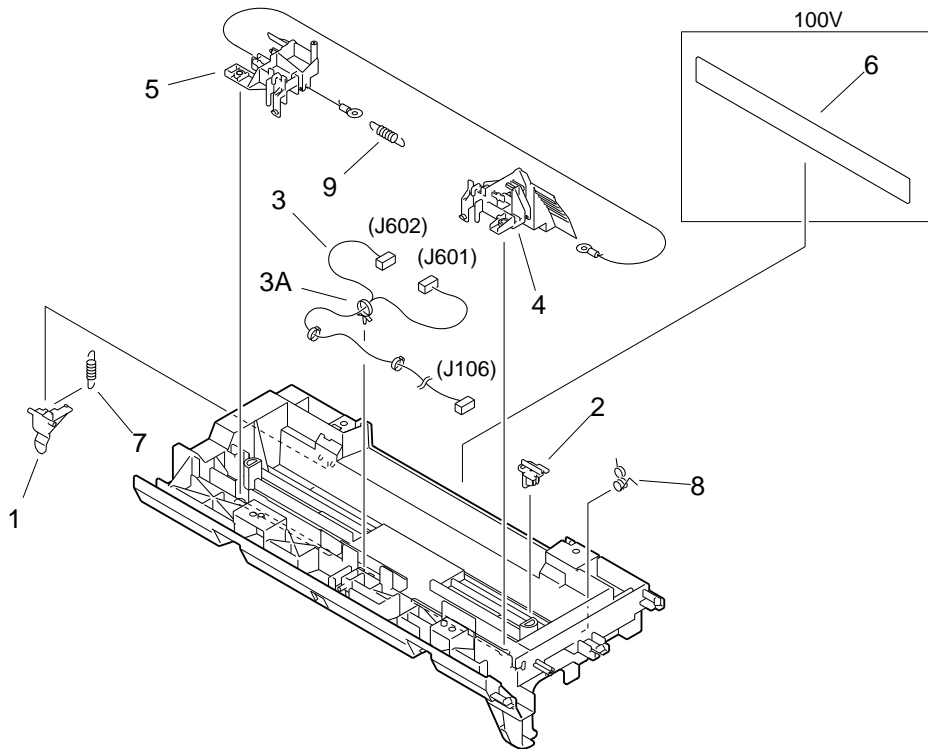
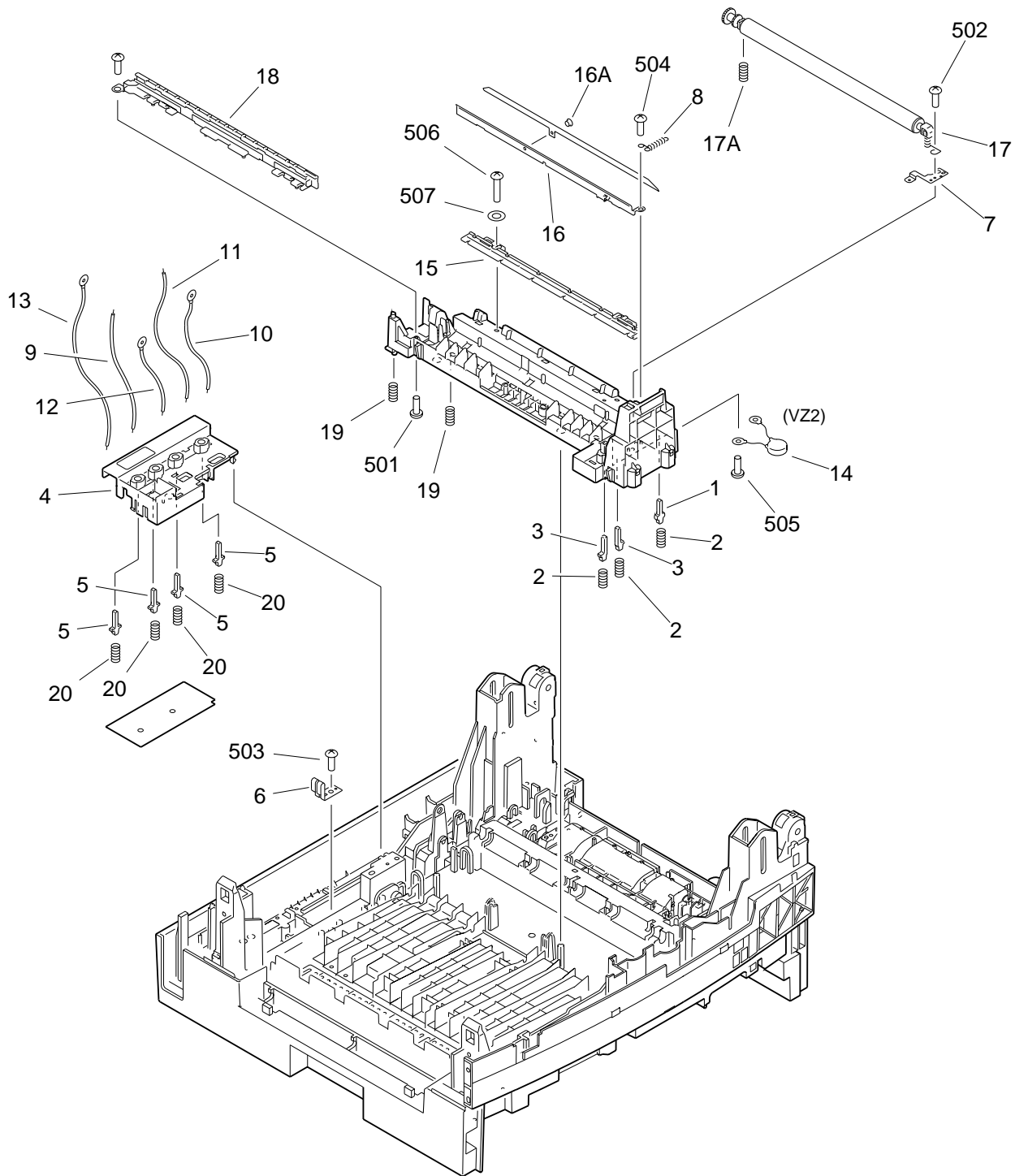


FIGURE & KEY NO.	PART NUMBER	RANK	QTY	DESCRIPTION	SERIAL NUMBER / REMARKS
450 -	FG6 - 3751 - 000		1	BLANK EXPOSURE LAMP ASSEMBLY	100V
	FG6 - 3736 - 000		1	BLANK EXPOSURE LAMP ASSEMBLY	120/220/240V
1	FB2 - 4759 - 000		1	PLATE, OPEN/CLOSE SHUTTER	
2	FB2 - 4760 - 000		1	COVER, WIRE	
3	FF2 - 9731 - 000		1	CABLE, BLANK EXPOSURE LAMP	J106,601,602
3A	WT2 - 5041 - 000		1	CLAMP, CABLE	
4	FG5 - 7756 - 000		1	MOUNT, LAMP, FRONT	
5	FG5 - 7757 - 000		1	MOUNT, LAMP, REAR	
6	FN5 - 4148 - 000		1	GLASS, BLUE	100V
7	FS5 - 2787 - 000		1	SPRING, TENSION	
8	FS5 - 2788 - 000		1	SPRING, TORSION	
9	FS5 - 2790 - 000		1	SPRING, TENSION	

FIGURE 530 TRANSFER ASSEMBLY



NOTE: This assembly does not include the part shown with key No. 503.

FIGURE & KEY NO.	PART NUMBER	RANK	QTY	DESCRIPTION	SERIAL NUMBER / REMARKS
530 -	FG6 - 3730 - 000		1	TRANSFER ASSEMBLY	
1	FB1 - 7425 - 000		1	PIN CONTACT	
2	FB1 - 7427 - 000		3	SPRING, COMPRESSION	
3	FB1 - 7431 - 000		2	PIN CONTACT	
4	FB2 - 4861 - 000		1	HOUSING	
5	FB2 - 4862 - 000		4	TERMINAL, LOWER	
6	FB2 - 4939 - 000		1	SPRING, LEAF	
7	FB2 - 5156 - 000		1	PLATE, TERMINAL	
8	FB2 - 5169 - 000		1	SPRING, TENSION	
9	FF2 - 9762 - 000		1	CABLE, HV, PRIMARY	
10	FF2 - 9763 - 000		1	CABLE, HV, TRANSFER	
11	FF2 - 9764 - 000		1	CABLE, HV, DEVELOPING	
12	FF2 - 9765 - 000		1	CABLE, HV, ELIMINATOR	
13	FF2 - 9766 - 000		1	WIRE, GROUNDING	
14	FF2 - 9779 - 000		1	VARIATOR	VZ2
15	FF5 - 1673 - 000		1	GUIDE, TRANSFORMER	
16	FF5 - 2870 - 000		1	ELIMINATOR, STATIC CHARGE	
16 A	FA9 - 3063 - 000		1	BUSHING	
17	FF5 - 2871 - 020		1	ROLLER, TRANSFER	
17 A	FS5 - 2335 - 000		1	SPRING, COMPRESSION	
18	FF5 - 3713 - 000		1	ELIMINATOR, STATIC CHARGE	
19	FS5 - 2774 - 000		4	SPRING, COMPRESSION	
20	FS5 - 2784 - 000		4	SPRING, COMPRESSION	
501	XB1 - 2300 - 607		2	SCREW,MACH.,TRUSS HEAD,M3X6	
502	XB1 - 2300 - 609		2	SCREW,MACH.,TRUSS HEAD,M3X6	
503	XB1 - 2300 - 609		1	SCREW,MACH.,TRUSS HEAD,M3X6	SEE NOTE
504	XB4 - 7300 - 609		3	SCREW,TAPPING,TRUSS HEAD,M3X6	
505	XB4 - 7300 - 809		5	SCREW,TAPPING,TRUSS HEAD,M3X8	
506	XB4 - 7301 - 009		2	SCREW,TAPPING,TRUSS HEAD,M3X10	
507	XD1 - 2100 - 307		2	WASHER,PLAIN	

FIGURE 810 FIXING ASSEMBLY

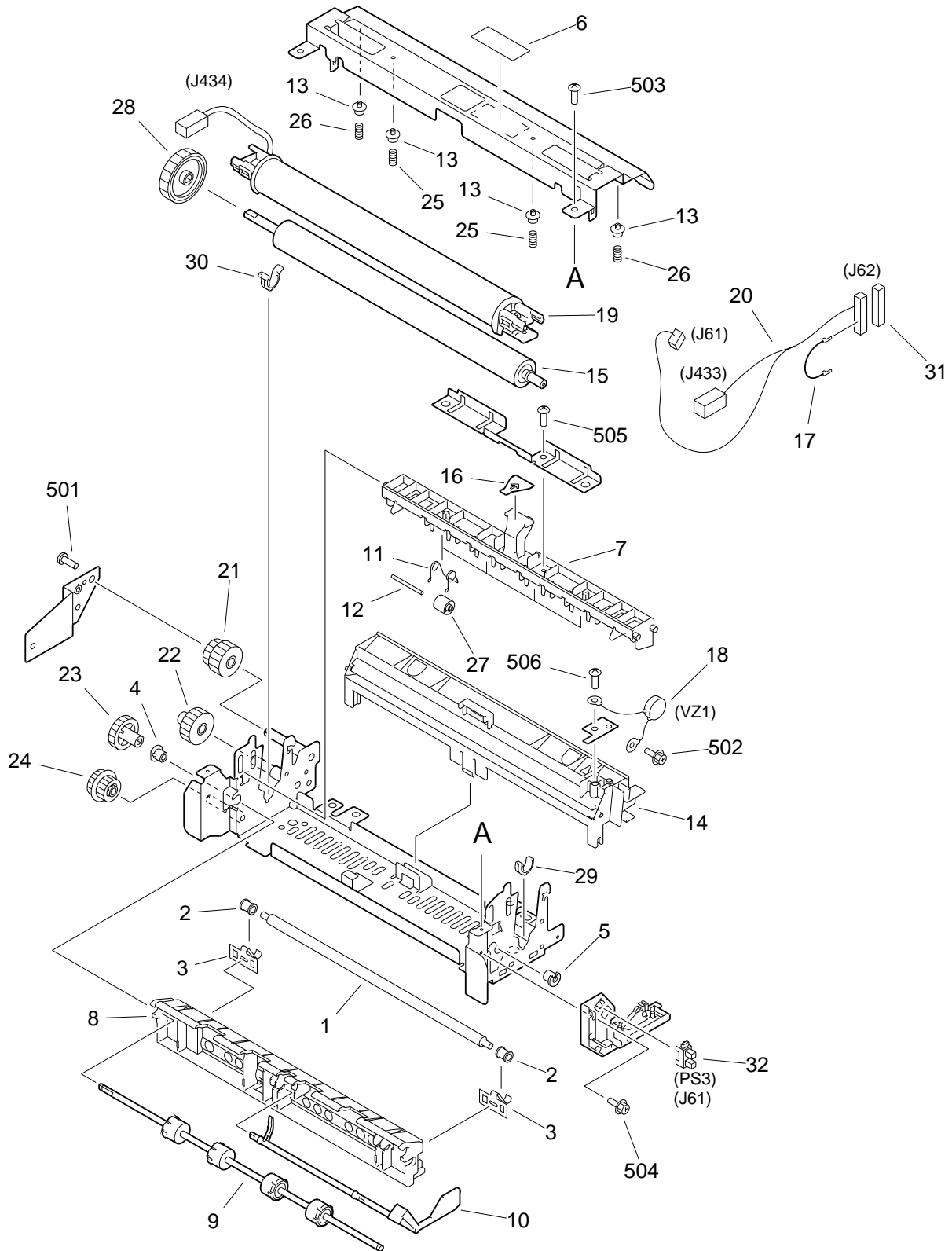


FIGURE & KEY NO.	PART NUMBER	RANK	QTY	DESCRIPTION	SERIAL NUMBER / REMARKS
810 -	FG6 - 3731 - 000		1	FIXING ASSEMBLY	100V
	FG6 - 3720 - 000		1	FIXING ASSEMBLY	120V
	FG6 - 3721 - 000		1	FIXING ASSEMBLY	220/240V
1	FB2 - 5040 - 000		1	ROLLER, CLEANING	
2	FB2 - 5041 - 000		2	BUSHING	
3	FB2 - 5042 - 020		2	SPRING, LEAF	
4	FB2 - 9617 - 000		1	BUSHING	
5	FB2 - 9651 - 000		1	BUSHING	
6	FB2 - 9653 - 000		1	LABEL, CAUTION	
7	FB4 - 9863 - 000		1	GUIDE, FIXING DELIVERY, UPPER	
8	FB4 - 9864 - 000		1	GUIDE, LOWER, DELIVERY	
9	FB4 - 9866 - 000		1	ROLLER, PAPER DELIVERY	
10	FB4 - 9867 - 000		1	ARM, PAPER DELIVERY SENSOR	
11	FB4 - 9872 - 000		4	SPRING, TORSION	
12	FB4 - 9873 - 000		4	SHAFT, DELIVERY ROLLER	
13	FB4 - 9875 - 000		4	SUPPORT, FIXING SPRING	
14	FB4 - 9877 - 000		1	GUIDE, ENTRANCE	
15	FB4 - 9878 - 000		1	ROLLER, PRESSURE	
16	FB4 - 9905 - 000		1	LABEL, DELIVERY OPERATION	
17	FF3 - 3739 - 000		1	CABLE, SHORT	
18	FF3 - 3752 - 000		1	VARISTOR	VZ1
19	FG6 - 3722 - 000		1	FILM GUIDE UNIT	100V J434
	FG6 - 4064 - 000		1	FILM GUIDE UNIT	120V J434
	FG6 - 3723 - 000		1	FILM GUIDE UNIT	220/240V J434
20	FG6 - 3773 - 000		1	CABLE, FIXING DC	J61,62,433
21	FS7 - 0427 - 000		1	GEAR, 20T	
22	FS7 - 0428 - 000		1	GEAR, 21T	
23	FS7 - 0429 - 000		1	GEAR, 26T	
24	FS7 - 0446 - 000		1	GEAR, 16T/18T	
25	FS7 - 2181 - 000		2	SPRING, COMPRESSION	

FIGURE & KEY NO.	PART NUMBER	RANK	QTY	DESCRIPTION	SERIAL NUMBER / REMARKS
810 - 26	FS7 - 2189 - 000		2	SPRING, COMPRESSION	
27	RB1 - 8806 - 000		4	ROLLER, DELIVERY	
28	RS5 - 0922 - 000		1	GEAR, 34T	
29	RS5 - 1297 - 000		1	BUSHING	
30	RS5 - 1310 - 000		1	BUSHING	
31	VS1 - 5057 - 009		1	CONNECTOR, SNAP TIGHT	J62
32	WG8 - 5382 - 000		1	PHOTO-INTERRUPTER	PS3 J61
501	XB1 - 2300 - 409		2	SCREW,MACH.,TRUSS HEAD,M3X4	
502	XB1 - 2300 - 609		1	SCREW,MACH.,TRUSS HEAD,M3X6	
503	XB2 - 7300 - 607		2	SCREW,W/WASHER,M3X6	
504	XB2 - 8300 - 807		1	SCREW,W/WASHER,M3X8	
505	XB4 - 7300 - 609		1	SCREW,TAPPING,TRUSS HEAD,M3X6	
506	XB4 - 7300 - 609		1	SCREW,TAPPING,TRUSS HEAD,M3X6	

FIGURE 910 DC POWER SUPPLY PCB ASSEMBLY

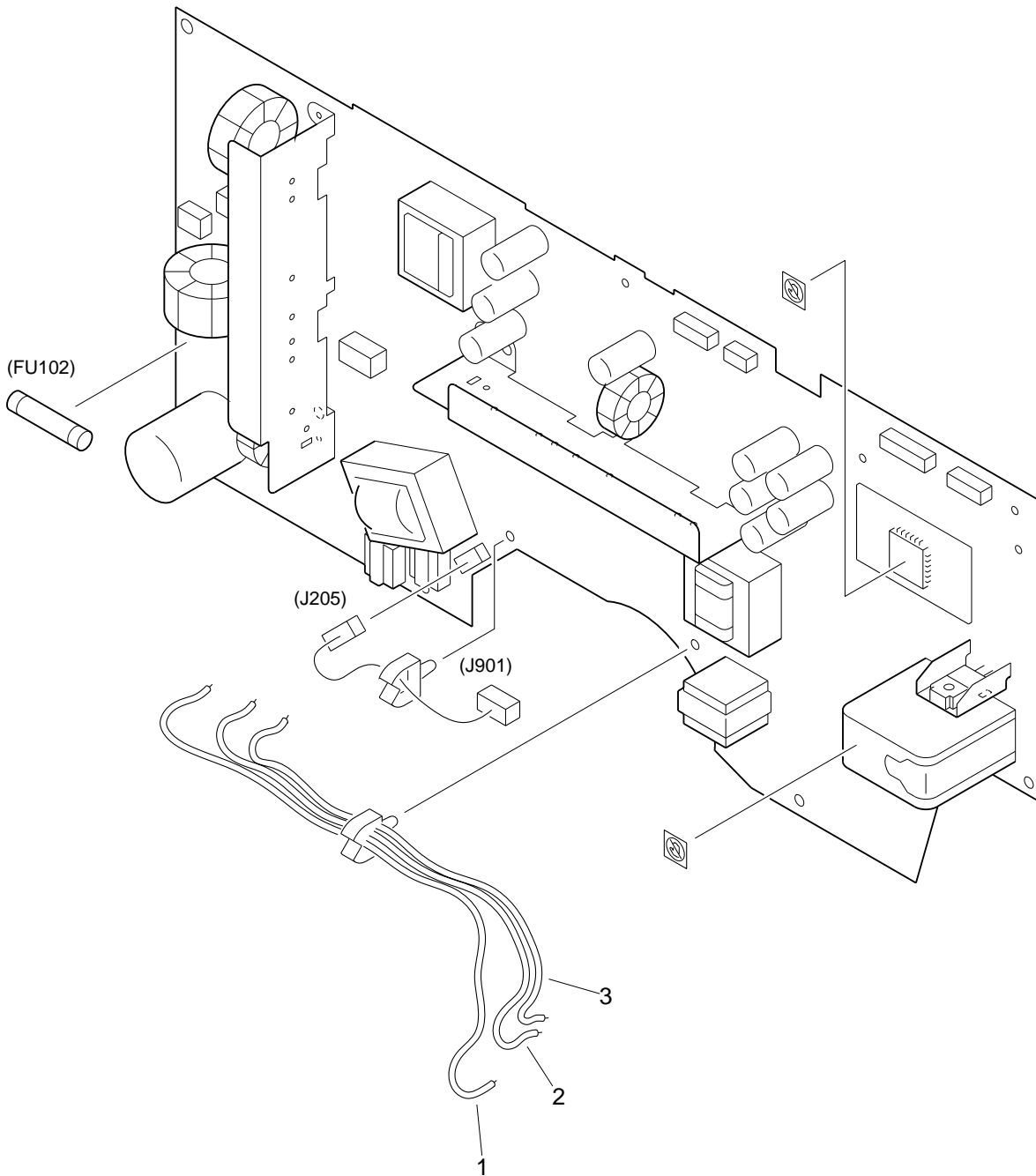
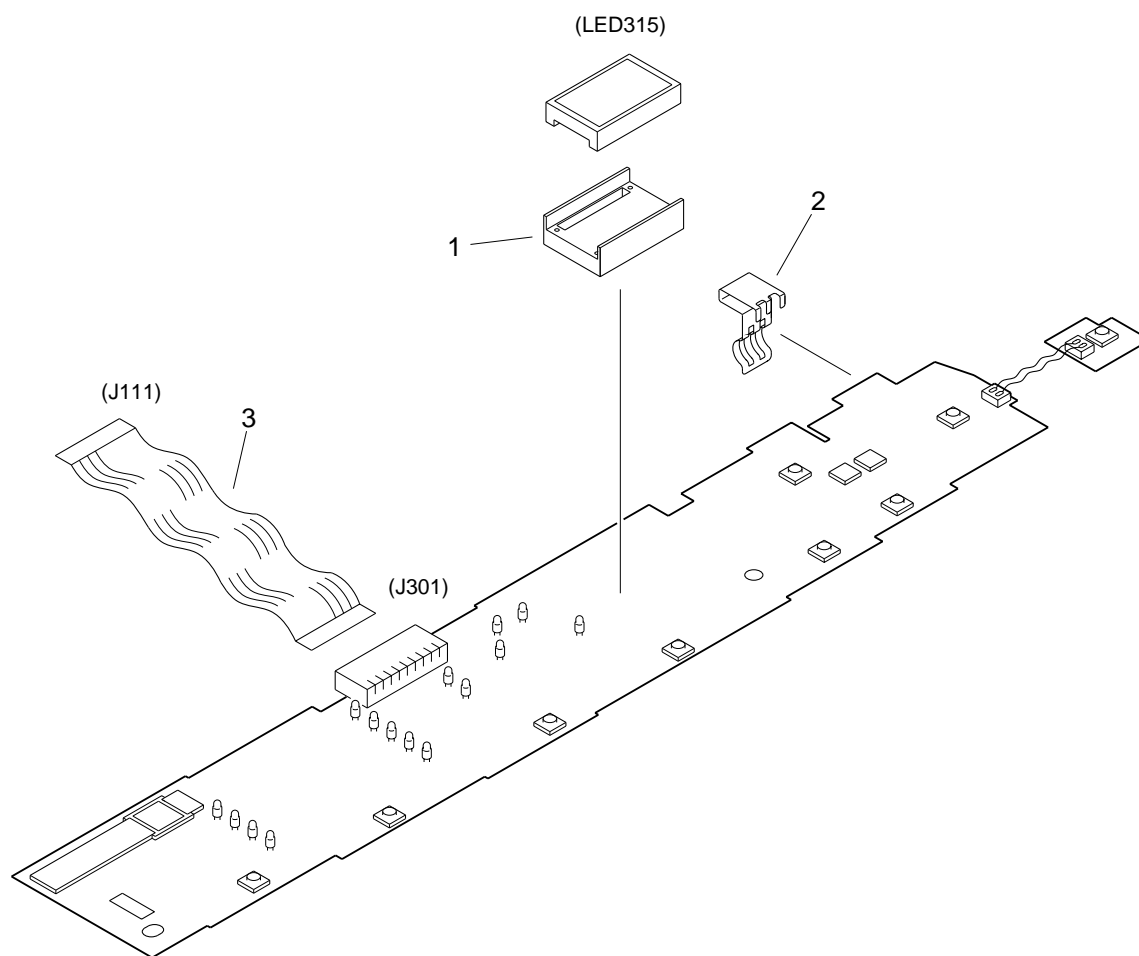


FIGURE & KEY NO.	PART NUMBER	RANK	QTY	DESCRIPTION	SERIAL NUMBER / REMARKS
910 - 1 2 3	FG6 - 3791 - 000		1	DC POWER SUPPLY PCB ASSEMBLY	100/120V
	FG6 - 3792 - 000		1	DC POWER SUPPLY PCB ASSEMBLY	220/240V
	FF3 - 3624 - 000		1	CABLE, HIGH VOLTAGE, 1	
	FF3 - 3625 - 000		1	CABLE, HIGH VOLTAGE, 2	
	FF3 - 3626 - 000		1	CABLE, HIGH VOLTAGE, 3	
FC1	WD9 - 5001 - 000		1	HOLDER, FUSE	
FC2	WD9 - 5001 - 000		1	HOLDER, FUSE	
FU102	VD7 - 0215 - 001		1	FUSE, 125V, 5A	100/120V
	VD7 - 0642 - 501		1	FUSE	220/240V
HI C001	FH4 - 6070 - 000		1	IC, TB5843, HYBRID	
J205	FF3 - 3627 - 000		1	CABLE, MOTOR	
L001	FH7 - 9220 - 000		1	COIL	
L101	FH3 - 7184 - 000		1	CHORK COIL, HP-053J	
L600	FH3 - 7170 - 000		1	COIL, CHOKE	100/120V
	FH3 - 7195 - 000		1	CHOKE COIL, SN14-8000	220/240V
R203	FH4 - 9157 - 000		1	RESISTOR, 4MOHM, 1/4W	
R225	FH4 - 9183 - 000		1	RESISTOR, 200MOHM, 1/8W	
R243	FH4 - 9184 - 000		1	RESISTOR, 9.6MOHM, 0.1W	
R254	FH9 - 0367 - 000		1	RESISTOR, 100MOHM, 1W	
RL601	FH7 - 6197 - 000		1	RELAY	
T101	FH3 - 0911 - 000		1	TRANSFORMER	100/120V
	FH3 - 0912 - 00S		1	TRANSFORMER	220/240V
T103	FH3 - 0667 - 000		1	TRANSFORMER	
T104	FH3 - 0665 - 000		1	TRANSFORMER	100/120V
	FH3 - 0666 - 000		1	TRANSFORMER	220/240V
T105	FH3 - 0668 - 000		1	TRANSFORMER	
T201	FH3 - 0569 - 000		1	TRANSFORMER, INVERTER	
T302	FH3 - 0734 - 000		1	TRANSFORMER, TR	
T508	FH3 - 0856 - 000		1	TRANSFORMER	
T600	FH3 - 0635 - 000		1	TRANSFORMER, POWER SUPPLY	100/120V

FIGURE & KEY NO.	PART NUMBER	R A N K	Q' T Y	DESCRIPTION	SERIAL NUMBER / REMARKS
910 - T600	FH3 - 0636 - 000		1	TRANSFORMER, POWER SUPPLY	220/240V

FIGURE 915 CONTROL PANEL PCB ASSEMBLY



NOTE1: This assembly is included in the assembly shown in Figure 130.

NOTE2: This assembly does not include the part shown with key No.3.

FIGURE & KEY NO.	PART NUMBER	RANK	QTY	DESCRIPTION	SERIAL NUMBER / REMARKS
915 -	FG6 - 3771 - 000		1	CONTROL PANEL PCB ASSEMBLY	PC860/920/940 SEE NOTE 1
	FG6 - 3769 - 000		1	CONTROL PANEL PCB ASSEMBLY	PC880/950 SEE NOTE 1
	FG6 - 3765 - 000		1	CONTROL PANEL PCB ASSEMBLY	PC890/980 SEE NOTE 1
	FG6 - 3772 - 000		1	CONTROL PANEL PCB ASSEMBLY	PC921/941 SEE NOTE 1
	FG6 - 3767 - 000		1	CONTROL PANEL PCB ASSEMBLY	PC960 SEE NOTE 1
	FG6 - 3766 - 000		1	CONTROL PANEL PCB ASSEMBLY	PC981 SEE NOTE 1
1	FB2 - 4900 - 000		1	SPACER	
2	FB5 - 0099 - 000		1	PLATE, GROUNDING	
3	FH2 - 6709 - 000		1	CABLE, FLAT	SEE NOTE 2 J111,301
LED3 0 1	WG1 - 5610 - 000		1	LED, EMPG3361X-J374K	PC860/880/890/920 PC940/950/960/980
LED3 0 2	WG1 - 5610 - 000		1	LED, EMPG3361X-J374K	
LED3 0 3	WG1 - 5610 - 000		1	LED, EMPG3361X-J374K	
LED3 0 4	WG1 - 5610 - 000		1	LED, EMPG3361X-J374K	
LED3 0 5	WG1 - 5610 - 000		1	LED, EMPG3361X-J374K	
LED3 0 6	WG1 - 5610 - 000		1	LED, EMPG3361X-J374K	
LED3 0 7	WG1 - 5611 - 000		1	LED, EMAA3361X-J374K	
LED3 0 8	WG1 - 5610 - 000		1	LED, EMPG3361X-J374K	
LED3 1 0	WG1 - 5610 - 000		1	LED, EMPG3361X-J374K	PC860/880/890/920 PC940/950/960/980
LED3 1 1	WG1 - 5610 - 000		1	LED, EMPG3361X-J374K	PC880/890/950/980 PC981
LED3 1 2	WG1 - 5610 - 000		1	LED, EMPG3361X-J374K	PC880/890/950/980 PC981
LED3 1 5	WG2 - 5185 - 000		1	LED, 7 SEGMENT	
LED3 1 6	WG1 - 5611 - 000		1	LED, EMAA3361X-J374K	PC890/960/980/981
LED3 1 7	WG1 - 5611 - 000		1	LED, EMAA3361X-J374K	PC890/960/980/981
LED3 1 8	WG1 - 5610 - 000		1	LED, EMPG3361X-J374K	
LED3 1 9	WG1 - 5610 - 000		1	LED, EMPG3361X-J374K	
LED3 2 0	WG1 - 5610 - 000		1	LED, EMPG3361X-J374K	
LED3 2 1	WG1 - 5611 - 000		1	LED, EMAA3361X-J374K	PC890/960/980/981

FIGURE 930 DC CONTROLLER PCB ASSEMBLY

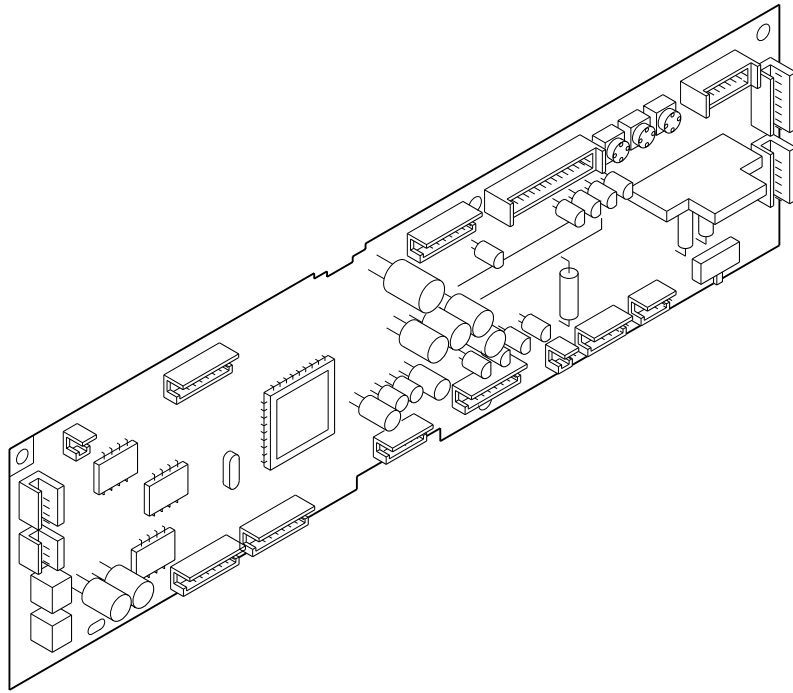


FIGURE & KEY NO.	PART NUMBER	RANK	QTY	DESCRIPTION	SERIAL NUMBER / REMARKS
930 -	FG6 - 3778 - 000		1	DC CONTROLLER PCB ASSEMBLY	PC860/880 PC950 220/240V
	FG6 - 3783 - 00S		1	DC CONTROLLER PCB ASSEMBLY	PC890
	FG6 - 3777 - 000		1	DC CONTROLLER PCB ASSEMBLY	PC921 PC920 120V
	FG6 - 3779 - 000		1	DC CONTROLLER PCB ASSEMBLY	PC920 220/240V
	FG6 - 3776 - 000		1	DC CONTROLLER PCB ASSEMBLY	PC940/941 PC950 120V
	FG6 - 3774 - 000		1	DC CONTROLLER PCB ASSEMBLY	PC950 100V
	FG6 - 3782 - 000		1	DC CONTROLLER PCB ASSEMBLY	PC960
	FG6 - 3781 - 000		1	DC CONTROLLER PCB ASSEMBLY	PC980/981
Q1 01	FH4 - 1364 - 000		1	IC, HD6433042SK45F, MPU	
R3 99	VD7 - 1624 - 000		1	FUSE, 4A, 60V	

ADF DC CONTROLLER PCB ASSEMBLY (ADF TYPE)

FIGURE 935

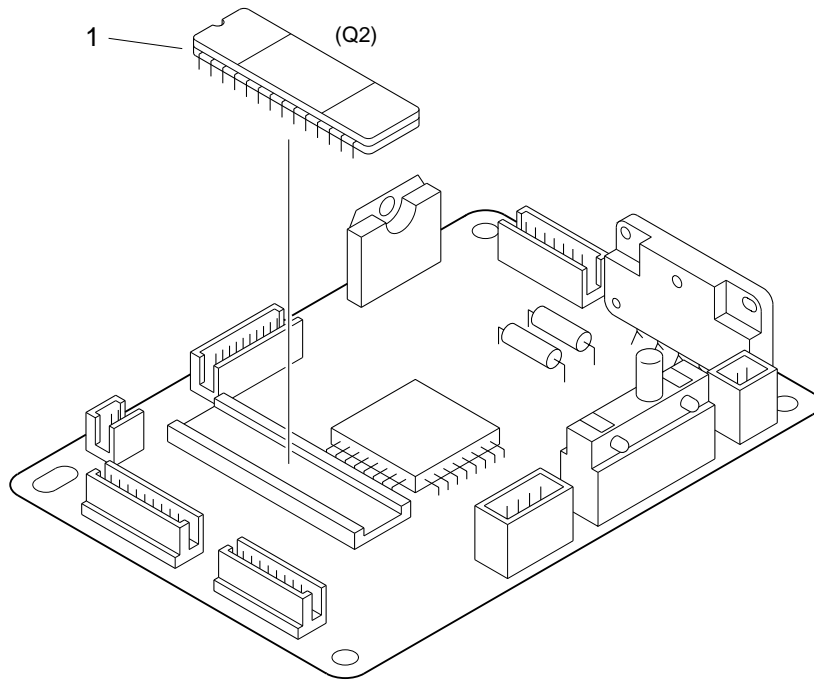


FIGURE & KEY NO.	PART NUMBER	R A N K	Q' T Y	DESCRIPTION	SERIAL NUMBER / REMARKS
935 - 1	FG2 - 9891 - 000		1	ADF DC CONTROLLER PCB ASSEMBLY	ADF TYPE
	FF3 - 3126 - 000		1	IC, M27C256B-15F1, EP-ROM	Q2

FIGURE 940 NOISE FILTER PCB ASSEMBLY

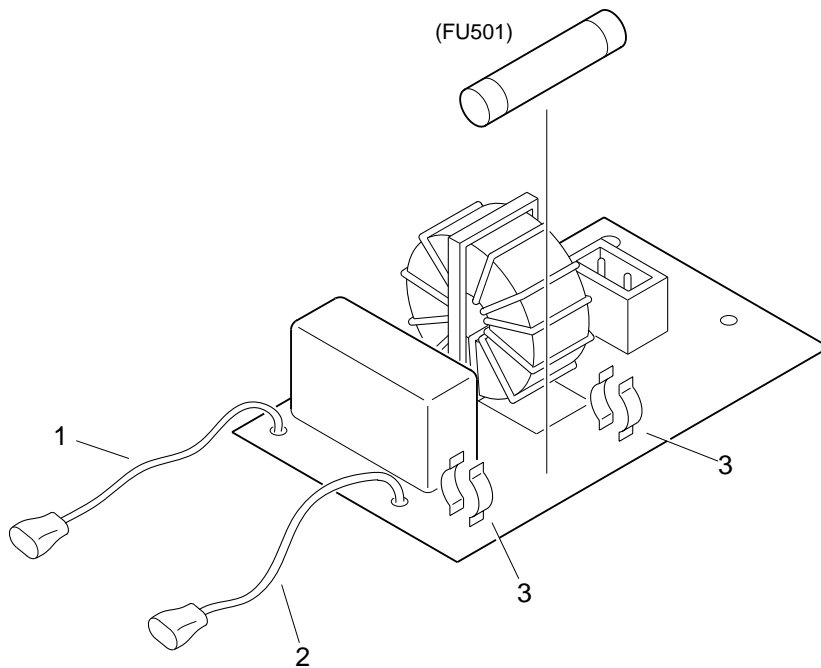


FIGURE & KEY NO.	PART NUMBER	RANK	QTY	DESCRIPTION	SERIAL NUMBER / REMARKS
940 -	FG6 - 3717 - 000		1	NOISE FILTER PCB ASSEMBLY	100V
	FG6 - 3709 - 000		1	NOISE FILTER PCB ASSEMBLY	120V
	FG6 - 3718 - 000		1	NOISE FILTER PCB ASSEMBLY	220/240V
1	FF3 - 3733 - 000		1	CABLE, INLET, 1	100/120V
2	FF3 - 3734 - 000		1	CABLE, INLET, 2	100/120V
3	WD9 - 5097 - 000		2	HOLDER, FUSE	100/120V
	WD9 - 5052 - 000		2	HOLDER, FUSE	220/240V
FU501	VD7 - 1731 - 502		1	FUSE, 250V, 15A	100/120V
	VD7 - 0646 - 301		1	FUSE	220/240V

FIGURE B LIST OF CONNECTORS(1/2)

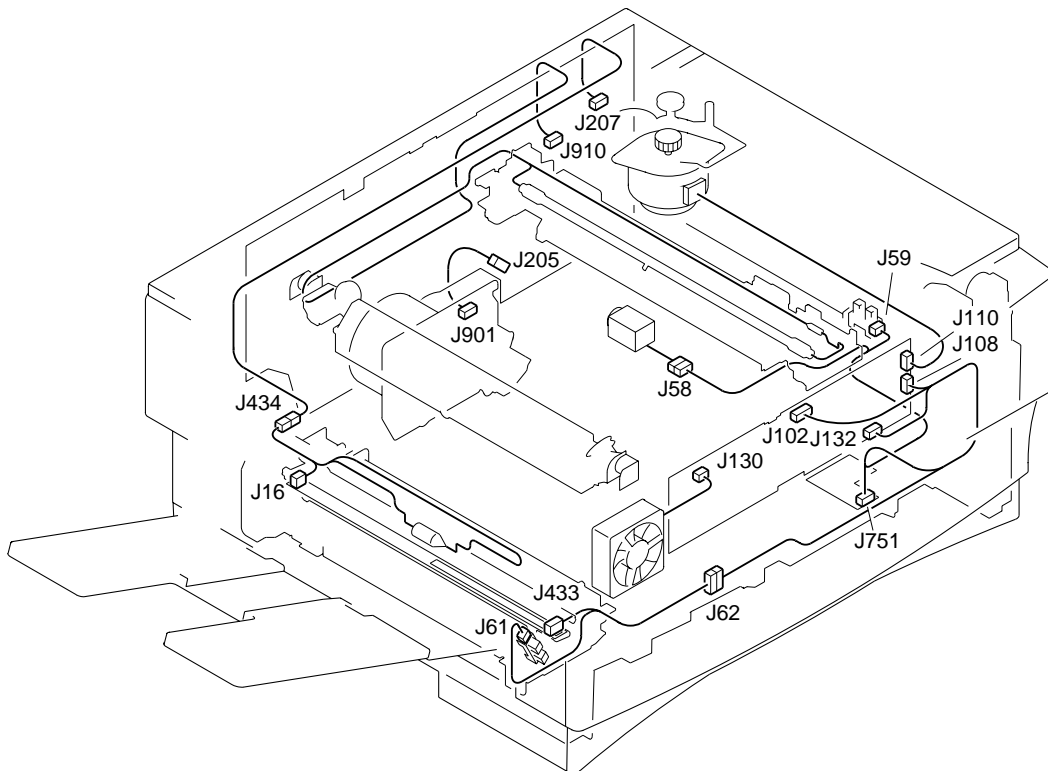
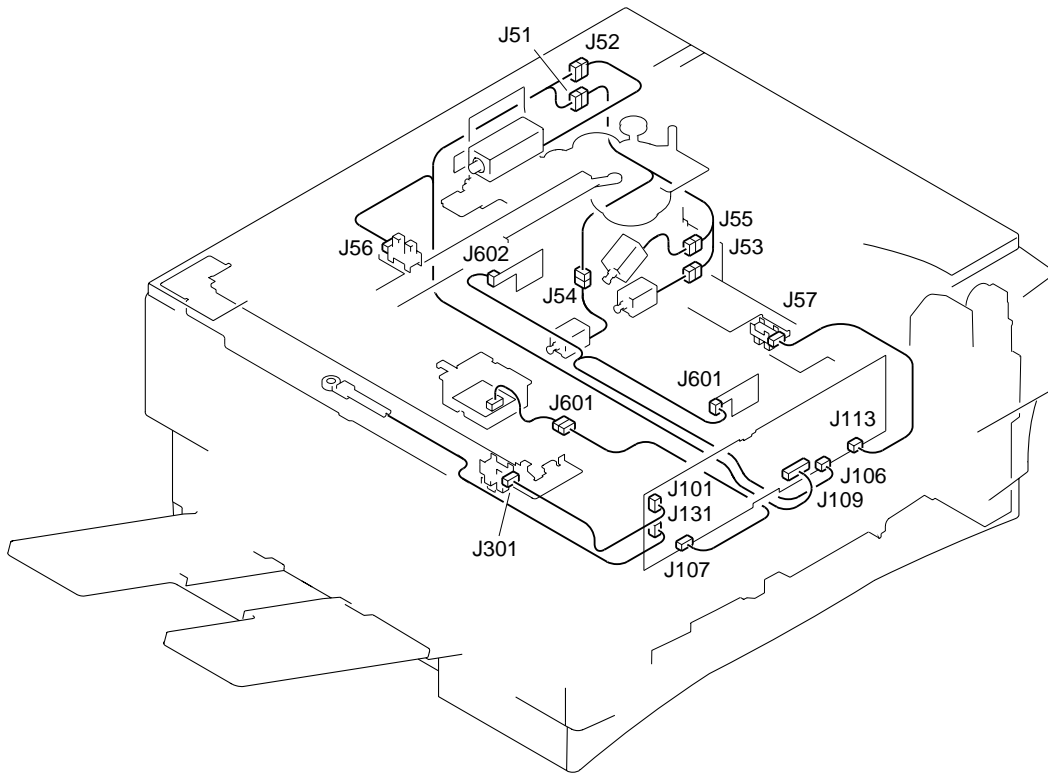
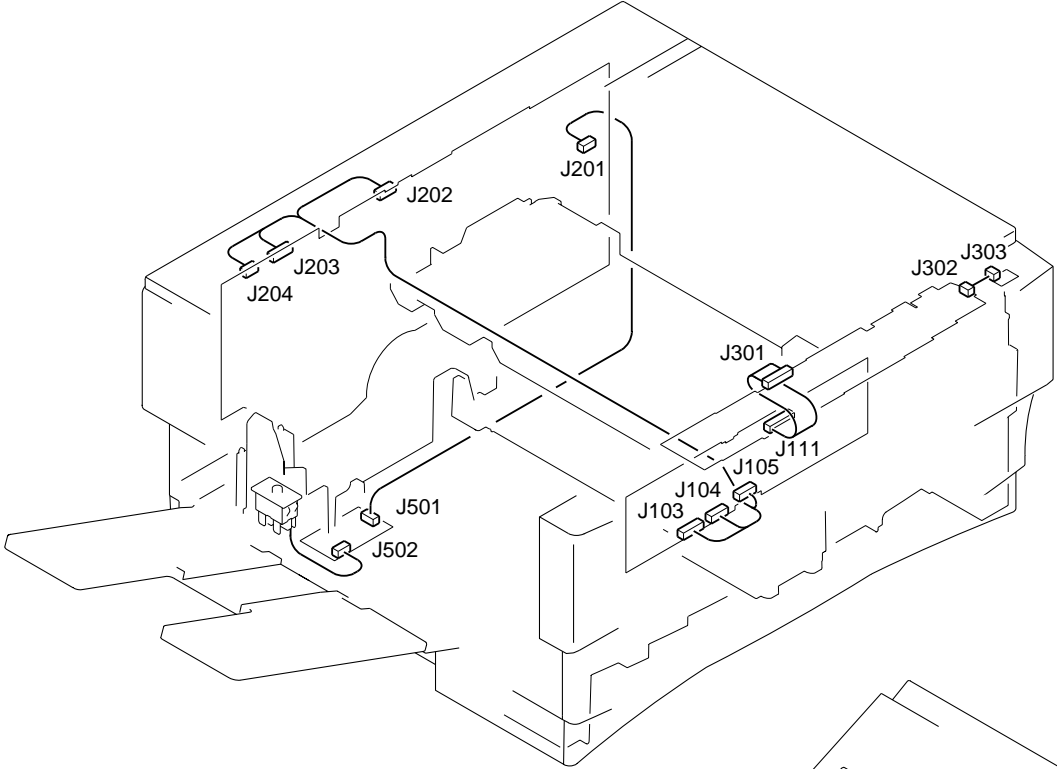


FIGURE B LIST OF CONNECTORS(2/2)



ADF TYPE

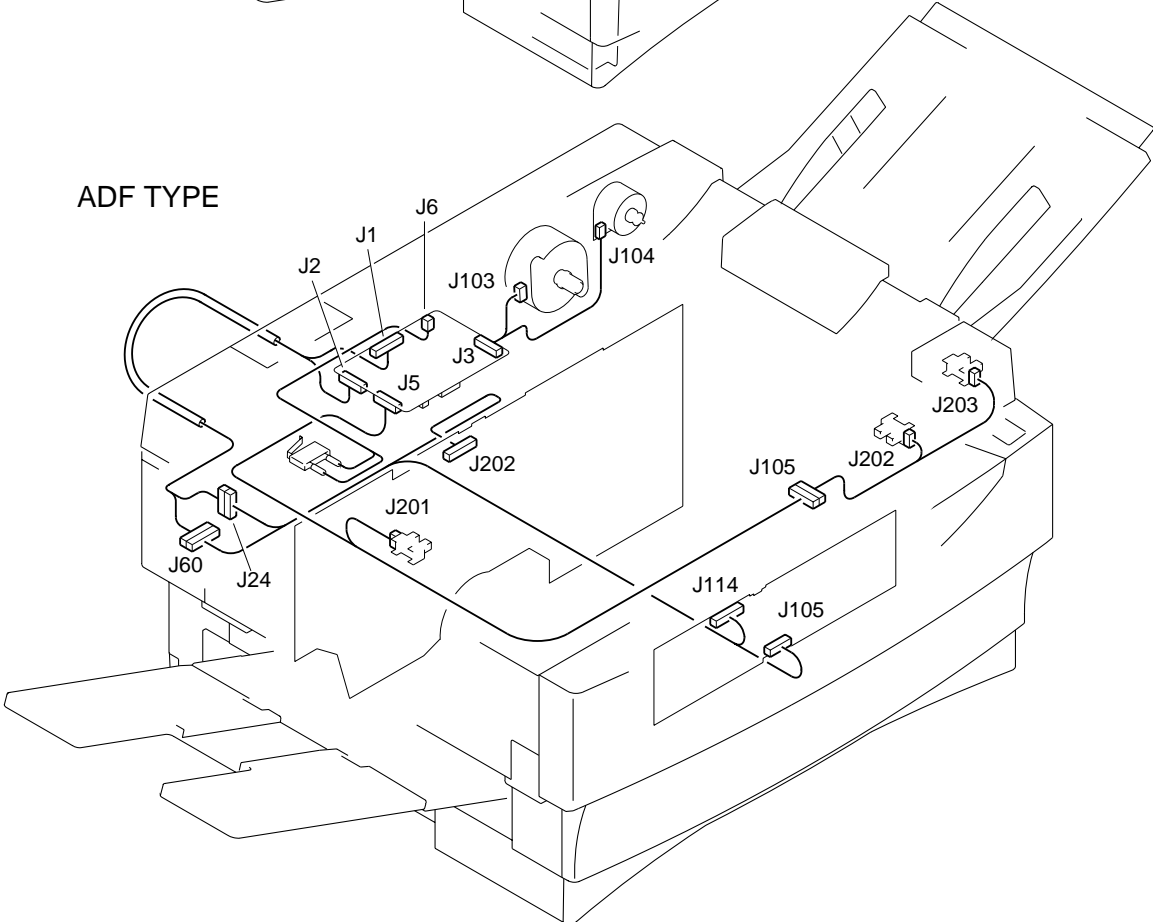


FIGURE & KEY NO.	PART NUMBER	RANK	QTY	DESCRIPTION	SERIAL NUMBER / REMARKS
B -	NPN		RF	LIST OF CONNECTORS	
J 1	PCB			ADF CONTROLLER	ADF TYPE
	VS3 - 5083 - 004		1	CONNECTOR, 4P, FEMALE	ADF TYPE
	WS3 - 5160 - 000		4	SOCKET CONTACT, 18-24AWG	ADF TYPE
J 2	PCB			ADF CONTROLLER	ADF TYPE
J 3	VS1 - 0842 - 008		1	CONNECTOR, 8P, FEMALE	ADF TYPE
	PCB			ADF CONTROLLER	ADF TYPE
	VS1 - 0842 - 007		1	CONNECTOR, 7P, FEMALE	ADF TYPE
J 5	PCB			ADF CONTROLLER	ADF TYPE
	VS1 - 0842 - 009		1	CONNECTOR, 9P, FEMALE	ADF TYPE
J 6	PCB			ADF CONTROLLER	ADF TYPE
	VS3 - 5083 - 002		1	CONNECTOR, 2P, FEMALE	ADF TYPE
	WS3 - 5160 - 000		2	SOCKET CONTACT, 18-24AWG	ADF TYPE
J 16	NPN			FIXING HEATER	H1
	RH2 - 5316 - 000		1	CONNECTOR, 2P, MALE	
J 24	RH2 - 5279 - 000		2	PIN CONTACT, 18AWG	
	VS1 - 0279 - 004		1	CONNECTOR, 4P, FEMALE	ADF TYPE
	VS3 - 0108 - 004		1	CONNECTOR, 4P, MALE	ADF TYPE
	WS3 - 0885 - 000		4	PIN CONTACT, 20-30AWG	ADF TYPE
	WS4 - 0181 - 000		4	SOCKET CONTACT	ADF TYPE
J 51	VS1 - 0842 - 006		2	CONNECTOR, 6P, FEMALE	
	VS1 - 5057 - 006		1	CONNECTOR, SNAP TIGHT	
J 52	NPN			LENS DRIVE SOLENOID	SL3
	VS1 - 0842 - 002		1	CONNECTOR, 2P, FEMALE	
	VS1 - 5057 - 002		1	CONNECTOR, SNAP TIGHT	
J 53	NPN			PICKUP CLUTCH SOLENOID	SL1
	VS1 - 0842 - 002		1	CONNECTOR, 2P, FEMALE	
	VS1 - 5057 - 002		1	CONNECTOR, SNAP TIGHT	
J 54	NPN			REGIST. CLUTCH SOLENOID	SL2
	VS1 - 0842 - 002		1	CONNECTOR, 2P, FEMALE	

FIGURE & KEY NO.	PART NUMBER	RANK	QTY	DESCRIPTION	SERIAL NUMBER / REMARKS
B - J 5 4	VS1 - 5057 - 002		1	CONNECTOR, SNAP TIGHT	
J 5 5	NPN			MULTIFEEDER PICKUP SOLENOID	MULTI TYPE SL4
	VS1 - 0842 - 003		1	CONNECTOR, 3P, FEMALE	MULTI TYPE
	VS1 - 5057 - 003		1	CONNECTOR, SNAP TIGHT	MULTI TYPE
J 5 6	NPN			LENS HOME POSITION SENSOR	PS2
	VS1 - 0842 - 003		1	CONNECTOR, 3P, FEMALE	
J 5 7	NPN			SINGLEFEEDER PAPER SENSOR	SINGLE TYPE PS5
	VS1 - 0842 - 003		1	CONNECTOR, 3P, FEMALE	SINGLE TYPE
J 5 8	NPN			CASSETTE PICKUP SOLENOID	SL5
	VS1 - 0842 - 002		1	CONNECTOR, 2P, FEMALE	
J 5 9	NPN			VERTICAL PATH ROLLER SENSOR	PS4
	VS1 - 0842 - 003		1	CONNECTOR, 3P, FEMALE	
J 6 0	VS1 - 0842 - 008		2	CONNECTOR, 8P, FEMALE	ADF TYPE
	VS1 - 5057 - 008		1	CONNECTOR, SNAP TIGHT	ADF TYPE
J 6 1	NPN			DELIVERY SENSOR	PS3
	VS1 - 5824 - 003		1	CONNECTOR, 3P, FEMALE	
	WS3 - 5358 - 000		3	SOCKET CONTACT, 22-26AWG	
J 6 2	VS1 - 0842 - 009		1	CONNECTOR, 9P, FEMALE	
	VS1 - 5824 - 009		1	CONNECTOR, 9P, FEMALE	
J 1 0 1	PCB			DC CONTROLLER	
	VS1 - 0842 - 003		1	CONNECTOR, 3P, FEMALE	
J 1 0 2	PCB			DC CONTROLLER	
J 1 0 3	VS1 - 0842 - 009		1	CONNECTOR, 9P, FEMALE	
	PCB			DC CONTROLLER	
	VS1 - 0842 - 008		1	CONNECTOR, 8P, FEMALE	
	NPN			BELT DRIVE MOTOR	ADF TYPE M1
	VS1 - 0842 - 005		1	CONNECTOR, 5P, FEMALE	ADF TYPE

FIGURE & KEY NO.	PART NUMBER	RANK	QTY	DESCRIPTION	SERIAL NUMBER / REMARKS
B - J 1 0 4	PCB			DC CONTROLLER	
	VS1 - 0842 - 007		1	CONNECTOR, 7P, FEMALE	
	NPN			PICK-UP DRIVE MOTOR	ADF TYPE M2
	VS1 - 0842 - 002		1	CONNECTOR, 2P, FEMALE	ADF TYPE
J 1 0 5	PCB		DC CONTROLLER		
J 1 0 6	VS1 - 0279 - 006		1	CONNECTOR, 6P, FEMALE	
	WS3 - 0437 - 000		6	SOCKET CONTACT, 20-30AWG	
	VS1 - 0842 - 006		2	CONNECTOR, 6P, FEMALE	ADF TYPE
	VS1 - 5057 - 006		1	CONNECTOR, SNAP TIGHT	ADF TYPE
	PCB			DC CONTROLLER	
J 1 0 7	VS1 - 5824 - 002		1	CONNECTOR, 2P, FEMALE	
	WS3 - 5358 - 000		2	SOCKET CONTACT, 22-26AWG	
	PCB			DC CONTROLLER	
	VS1 - 0842 - 004		1	CONNECTOR, 4P, FEMALE	
J 1 0 8	PCB		DC CONTROLLER		
J 1 0 9	VS1 - 0842 - 005		1	CONNECTOR, 5P, FEMALE	
	PCB			DC CONTROLLER	
	VS1 - 0842 - 011		1	CONNECTOR, 11P, FEMALE	
J 1 1 0	PCB			DC CONTROLLER	
	NPN			SCANNER/LENS DRIVE MOTOR	M2
J 1 1 1	PCB		DC CONTROLLER		
J 1 1 3	FH2 - 6709 - 000		1	CABLE, FLAT	
	PCB			DC CONTROLLER	SINGLE TYPE
	VS1 - 0842 - 003		1	CONNECTOR, 3P, FEMALE	SINGLE TYPE
J 1 1 4	PCB		DC CONTROLLER	ADF TYPE	
J 1 3 0	VS1 - 0842 - 008		1	CONNECTOR, 8P, FEMALE	ADF TYPE
	PCB			DC CONTROLLER	
	NPN			SCANNER COOLING FAN	FM1
J 1 3 1	PCB			DC CONTROLLER	
	NPN			SCANNER THERMISTOR	TH2

FIGURE & KEY NO.	PART NUMBER	RANK	QTY	DESCRIPTION	SERIAL NUMBER / REMARKS
B - J 1 3 2	PCB			DC CONTROLLER	
	VS1 - 0842 - 005		1	CONNECTOR, 5P, FEMALE	
	J 2 0 1	PCB		DC POWER SUPPLY	
		WS3 - 5175 - 000		1	CONNECTOR, 2P, FEMALE
	WS3 - 5174 - 000		2	SOCKET CONTACT, 16-20AWG	
J 2 0 2	NPN			PAPER DELIVERY SENSOR	ADF TYPE PI1
	VS1 - 0842 - 003		1	CONNECTOR, 3P, FEMALE	ADF TYPE
	PCB			DC POWER SUPPLY	
	VS3 - 5083 - 006		1	CONNECTOR, 6P, FEMALE	
	WS3 - 5160 - 000		6	SOCKET CONTACT, 18-24AWG	
J 2 0 3	NPN			REGISTRATION SENSOR	ADF TYPE PI2
	VS1 - 0842 - 003		1	CONNECTOR, 3P, FEMALE	ADF TYPE
	PCB			DC POWER SUPPLY	
	VS1 - 0842 - 008		1	CONNECTOR, 8P, FEMALE	
	NPN			PAPER PICK-UP SENSOR	ADF TYPE PI3
J 2 0 4	VS1 - 0852 - 003		1	CONNECTOR, 3P, FEMALE	ADF TYPE
	PCB			DC POWER SUPPLY	
J 2 0 5	VS1 - 0842 - 007		1	CONNECTOR, 7P, FEMALE	
	PCB			DC POWER SUPPLY	
	VS1 - 5976 - 004		1	CONNECTOR, 4P, MALE	
J 2 0 7	PCB			DC POWER SUPPLY	
	WS3 - 5175 - 000		1	CONNECTOR, 2P, FEMALE	
	WS3 - 5174 - 000		2	SOCKET CONTACT, 16-20AWG	
J 3 0 1	PCB			CONTROL PANEL	
	VS1 - 0842 - 003		1	CONNECTOR, 3P, FEMALE	
J 3 0 2	NPN			SCANNER HOME POSITION SENSOR	PS1
	FH2 - 6709 - 000		1	CABLE, FLAT	
J 3 0 3	PCB			CONTROL PANEL	
	VS1 - 6023 - 002		1	CONNECTOR, 2P, MALE	
	PCB			CONTROL PANEL	

FIGURE & KEY NO.	PART NUMBER	R A N K	Q' T Y	DESCRIPTION	SERIAL NUMBER / REMARKS
B - J 3 0 3	VS1 - 6023 - 002		1	CONNECTOR, 2P, MALE	TH1
J 4 3 3	NPN			FIXING THERMISTOR	
	RH2 - 5317 - 000		1	CONNECTOR, 2P, MALE	
	RH2 - 5281 - 000		2	PIN CONTACT, 26AWG	
J 4 3 4	VS3 - 5116 - 002		1	CONNECTOR, 2P, MALE	
	VS3 - 5117 - 002		1	CONNECTOR, 2P, FEMALE	
	WS3 - 5174 - 000		2	SOCKET CONTACT, 16-20AWG	
	WS3 - 5354 - 000		2	PIN CONTACT, 16-20AWG	
J 5 0 1	PCB			NOISE FILTER	
	WS3 - 5175 - 000		1	CONNECTOR, 2P, FEMALE	
	WS3 - 5174 - 000		2	SOCKET CONTACT, 16-20AWG	220/240V
J 5 0 2	PCB			NOISE FILTER	
	WS3 - 5175 - 000		1	CONNECTOR, 2P, FEMALE	
	WS3 - 5174 - 000		1	SOCKET CONTACT, 16-20AWG	
J 6 0 1	PCB			AE SENSOR	
	VS1 - 0842 - 004		1	CONNECTOR, 4P, FEMALE	
	VS1 - 5057 - 004		1	CONNECTOR, SNAP TIGHT	
	PCB			SIDE BLANK	
	VS1 - 5824 - 002		1	CONNECTOR, 2P, FEMALE	
	WS3 - 5358 - 000		2	SOCKET CONTACT, 22-26AWG	
J 6 0 2	PCB			SIDE BLANK	
	VS1 - 5824 - 002		1	CONNECTOR, 2P, FEMALE	
	WS3 - 5358 - 000		2	SOCKET CONTACT, 22-26AWG	
J 7 5 1	PCB			SENSOR PCB	
	VS1 - 0842 - 005		1	CONNECTOR, 5P, FEMALE	
J 9 0 1	NPN			MAIN MOTOR	M1
	VS1 - 0842 - 004		1	CONNECTOR, 4P, FEMALE	
J 9 1 0	PCB			DC POWER SUPPLY	
	VS3 - 5083 - 003		1	CONNECTOR, 3P, FEMALE	
	WS3 - 5160 - 000		2	SOCKET CONTACT, 18-24AWG	

D NUMERICAL INDEX

PART NUMBER	FIGURE & KEY NO.	PART NUMBER	FIGURE & KEY NO.	PART NUMBER	FIGURE & KEY NO.
FA5 - 2864 - 020	161 - 1	FB2 - 5169 - 000	530 - 8	FB3 - 3386 - 000	355 - 6
	290 - 1	FB2 - 5175 - 000	100 - 2 1	FB3 - 3387 - 000	355 - 7
FA9 - 2568 - 000	102 - 1	FB2 - 5176 - 000	100 - 2 1	FB3 - 3388 - 000	355 - 8
FA9 - 2873 - 000	161 - 2	FB2 - 5177 - 000	100 - 1 0	FB3 - 3389 - 000	355 - 1 1 A
FA9 - 3063 - 000	530 - 1 6 A	FB2 - 5183 - 000	102 - 1 2	FB3 - 3392 - 000	162 - 5 A
FA9 - 3066 - 000	101 - 1	FB2 - 5198 - 000	250 - 1		162 - 6 A
FA9 - 3268 - 000	290 - 2	FB2 - 5210 - 000	100 - 1 1	FB3 - 3395 - 000	162 - 1
FA9 - 3668 - 000	290 - 3	FB2 - 5213 - 000	100 - 1 2	FB3 - 3396 - 000	162 - 2
FB1 - 0624 - 000	100 - 1	FB2 - 5214 - 020	100 - 1 3	FB3 - 3397 - 000	162 - 3
FB1 - 0733 - 000	160 - 1	FB2 - 5215 - 020	100 - 1 4	FB3 - 3400 - 000	290 - 8
FB1 - 7267 - 000	102 - 2	FB2 - 5217 - 020	100 - 1 5	FB3 - 3401 - 000	161 - 3 5
FB1 - 7270 - 000	102 - 3	FB2 - 5221 - 020	102 - 1 3	FB3 - 3402 - 020	161 - 3 6
FB1 - 7283 - 000	100 - 2	FB2 - 5222 - 000	102 - 1 4	FB3 - 3408 - 000	355 - 9
FB1 - 7295 - 000	100 - 3 7 A	FB2 - 5223 - 000	102 - 1 5	FB4 - 1096 - 000	100 - 2 1
FB1 - 7303 - 000	100 - 3	FB2 - 5240 - 020	100 - 1 6	FB4 - 1148 - 000	290 - 9
FB1 - 7403 - 000	100 - 4	FB2 - 5247 - 000	100 - 2 6 A	FB4 - 1149 - 000	290 - 1 0
FB1 - 7425 - 000	530 - 1	FB2 - 5266 - 000	102 - 1 2	FB4 - 1150 - 000	290 - 1 1
FB1 - 7427 - 000	530 - 2	FB2 - 5275 - 000	251 - 1	FB4 - 1151 - 000	290 - 1 2
FB1 - 7431 - 000	530 - 3	FB2 - 5276 - 000	102 - 4 5	FB4 - 1152 - 000	290 - 1 3
FB1 - 8835 - 000	100 - 5	FB2 - 5303 - 000	102 - 1 6	FB4 - 1154 - 000	161 - 4 0 A
FB1 - 8870 - 000	160 - 2	FB2 - 5304 - 000	102 - 1 7	FB4 - 1159 - 000	162 - 4
FB2 - 4603 - 000	101 - 2	FB2 - 5305 - 000	102 - 1 8	FB4 - 1194 - 000	101 - 3 2
FB2 - 4606 - 000	100 - 6	FB2 - 5309 - 000	102 - 1 9	FB4 - 1195 - 000	100 - 2 2
FB2 - 4607 - 000	100 - 7	FB2 - 5310 - 000	102 - 2 0	FB4 - 1196 - 000	100 - 2 3
FB2 - 4610 - 000	101 - 3	FB2 - 5424 - 000	160 - 3	FB4 - 1260 - 000	100 - 2 4
FB2 - 4611 - 000	101 - 4	FB2 - 5426 - 000	100 - 3 4	FB4 - 1261 - 000	100 - 2 5
FB2 - 4612 - 000	101 - 5	FB2 - 5428 - 000	100 - 1 7	FB4 - 9802 - 000	102 - 2 2
FB2 - 4613 - 000	101 - 6	FB2 - 5500 - 000	100 - 1 8	FB4 - 9803 - 000	102 - 2 2
FB2 - 4614 - 000	101 - 7	FB2 - 5501 - 030	101 - 2 6	FB4 - 9808 - 000	102 - 2 3
FB2 - 4616 - 000	220 - 1	FB2 - 5502 - 000	100 - 1 9	FB4 - 9810 - 000	102 - 2 4
	401 - 1	FB2 - 9617 - 000	810 - 4	FB4 - 9811 - 000	102 - 2 5
FB2 - 4622 - 020	101 - 8	FB2 - 9651 - 000	810 - 5	FB4 - 9812 - 000	102 - 2 6
FB2 - 4627 - 000	101 - 9	FB2 - 9653 - 000	810 - 6	FB4 - 9813 - 000	102 - 2 7
FB2 - 4628 - 000	101 - 1 0	FB3 - 0626 - 020	101 - 2 7	FB4 - 9814 - 000	102 - 2 8
FB2 - 4629 - 020	101 - 1 1	FB3 - 0630 - 000	101 - 2 8	FB4 - 9815 - 000	102 - 2 9
FB2 - 4669 - 020	401 - 2	FB3 - 0632 - 020	101 - 2 9	FB4 - 9817 - 000	102 - 3 0
FB2 - 4676 - 000	401 - 3	FB3 - 0633 - 000	101 - 3 0	FB4 - 9818 - 000	102 - 3 1
FB2 - 4677 - 020	401 - 4	FB3 - 0639 - 020	101 - 3 1	FB4 - 9819 - 000	102 - 3 2
FB2 - 4678 - 020	401 - 5	FB3 - 0733 - 000	102 - 2 1	FB4 - 9820 - 000	102 - 3 3
FB2 - 4691 - 000	101 - 1 2	FB3 - 0817 - 000	100 - 4 0 A	FB4 - 9821 - 000	102 - 3 4
FB2 - 4694 - 020	402 - 1	FB3 - 0824 - 000	100 - 2 0	FB4 - 9822 - 000	102 - 3 5
FB2 - 4695 - 030	402 - 2	FB3 - 0829 - 000	161 - 3	FB4 - 9823 - 000	102 - 3 6
FB2 - 4701 - 020	220 - 2	FB3 - 0835 - 000	161 - 4 2 A	FB4 - 9824 - 000	102 - 3 7
FB2 - 4702 - 000	220 - 3	FB3 - 0839 - 020	100 - 8	FB4 - 9827 - 000	100 - 2 6
FB2 - 4703 - 000	220 - 4	FB3 - 3311 - 000	161 - 4	FB4 - 9830 - 000	102 - 3 8
FB2 - 4704 - 000	220 - 5	FB3 - 3312 - 000	161 - 5	FB4 - 9834 - 000	100 - 4 1 A
FB2 - 4705 - 000	220 - 6	FB3 - 3314 - 020	161 - 6	FB4 - 9835 - 000	251 - 2
FB2 - 4734 - 000	101 - 1 3	FB3 - 3315 - 020	161 - 7	FB4 - 9863 - 000	810 - 7
FB2 - 4736 - 000	101 - 1 4	FB3 - 3316 - 000	161 - 8	FB4 - 9864 - 000	810 - 8
FB2 - 4759 - 000	450 - 1	FB3 - 3321 - 000	161 - 9	FB4 - 9866 - 000	810 - 9
FB2 - 4760 - 000	450 - 2	FB3 - 3322 - 000	161 - 1 0	FB4 - 9867 - 000	810 - 1 0
FB2 - 4771 - 000	101 - 1 5	FB3 - 3323 - 000	161 - 1 1	FB4 - 9872 - 000	810 - 1 1
FB2 - 4773 - 000	101 - 1 6	FB3 - 3324 - 000	161 - 1 2	FB4 - 9873 - 000	810 - 1 2
FB2 - 4781 - 000	102 - 4	FB3 - 3325 - 000	161 - 1 3	FB4 - 9875 - 000	810 - 1 3
FB2 - 4782 - 000	102 - 5	FB3 - 3326 - 000	161 - 1 4	FB4 - 9877 - 000	810 - 1 4
FB2 - 4785 - 000	100 - 8	FB3 - 3329 - 000	161 - 1 5	FB4 - 9878 - 000	810 - 1 5
FB2 - 4790 - 020	100 - 9	FB3 - 3330 - 000	161 - 1 6	FB4 - 9881 - 000	102 - 3 9
FB2 - 4791 - 000	100 - 3 9 A	FB3 - 3332 - 000	161 - 1 7	FB4 - 9887 - 000	160 - 4
FB2 - 4792 - 000	101 - 1 7	FB3 - 3335 - 000	161 - 1 8	FB4 - 9888 - 000	100 - 2 7
FB2 - 4793 - 000	100 - 3 9 B	FB3 - 3336 - 000	161 - 1 9	FB4 - 9893 - 000	230 - 2
FB2 - 4794 - 000	100 - 3 9 C	FB3 - 3338 - 000	161 - 2 0	FB4 - 9895 - 000	100 - 2 8
FB2 - 4840 - 000	101 - 1 8	FB3 - 3342 - 000	161 - 2 1	FB4 - 9896 - 000	100 - 2 8
FB2 - 4861 - 000	530 - 4	FB3 - 3343 - 000	161 - 2 2	FB4 - 9897 - 000	100 - 2 8
FB2 - 4862 - 000	530 - 5	FB3 - 3344 - 000	161 - 2 3	FB4 - 9898 - 000	100 - 2 9
FB2 - 4870 - 000	101 - 1 9	FB3 - 3345 - 000	161 - 2 4	FB4 - 9899 - 000	100 - 3 0
FB2 - 4875 - 000	101 - 2 0	FB3 - 3346 - 000	161 - 2 5	FB4 - 9900 - 000	100 - 3 0
FB2 - 4877 - 000	101 - 2 1	FB3 - 3347 - 000	161 - 2 6	FB4 - 9902 - 000	100 - 3 0
FB2 - 4900 - 000	915 - 1	FB3 - 3348 - 000	161 - 2 7	FB4 - 9905 - 000	810 - 1 6
FB2 - 4906 - 020	101 - 2 2	FB3 - 3350 - 000	161 - 3 9 A	FB4 - 9906 - 000	100 - 3 1
FB2 - 4927 - 000	230 - 1	FB3 - 3353 - 000	290 - 4	FB4 - 9908 - 000	102 - 4 0
FB2 - 4929 - 000	102 - 6	FB3 - 3356 - 000	161 - 2 8	FB5 - 0058 - 000	400 - 1
FB2 - 4930 - 000	102 - 7	FB3 - 3357 - 020	161 - 2 9	FB5 - 0059 - 000	400 - 2
FB2 - 4939 - 000	530 - 6	FB3 - 3358 - 000	161 - 3 0	FB5 - 0060 - 000	400 - 3
FB2 - 4942 - 000	101 - 2 3	FB3 - 3360 - 030	161 - 3 1	FB5 - 0069 - 000	400 - 4
FB2 - 5040 - 000	810 - 1	FB3 - 3361 - 000	161 - 3 2	FB5 - 0070 - 000	400 - 5
FB2 - 5041 - 000	810 - 2	FB3 - 3364 - 000	161 - 3 3	FB5 - 0071 - 000	400 - 6
FB2 - 5042 - 020	810 - 3	FB3 - 3365 - 000	161 - 3 4	FB5 - 0074 - 000	400 - 7
FB2 - 5057 - 000	101 - 2 4	FB3 - 3371 - 000	290 - 5	FB5 - 0075 - 000	400 - 8
FB2 - 5058 - 000	101 - 4 5 A	FB3 - 3373 - 020	290 - 6	FB5 - 0080 - 000	400 - 9
FB2 - 5059 - 000	101 - 2 5	FB3 - 3377 - 000	290 - 7	FB5 - 0086 - 000	101 - 3 3
FB2 - 5156 - 000	530 - 7	FB3 - 3379 - 000	355 - 1	FB5 - 0088 - 000	101 - 3 4
FB2 - 5161 - 030	102 - 8	FB3 - 3381 - 000	355 - 2	FB5 - 0089 - 000	101 - 3 5
FB2 - 5162 - 000	102 - 9	FB3 - 3382 - 000	355 - 3	FB5 - 0090 - 000	101 - 3 6
FB2 - 5163 - 000	102 - 1 0	FB3 - 3383 - 000	355 - 4	FB5 - 0091 - 000	101 - 3 7
FB2 - 5164 - 000	102 - 1 1	FB3 - 3385 - 020	355 - 5	FB5 - 0092 - 000	101 - 3 8

D NUMERICAL INDEX

PART NUMBER	FIGURE & KEY NO.	PART NUMBER	FIGURE & KEY NO.	PART NUMBER	FIGURE & KEY NO.
FB5 - 0093 - 000	101 - 39	FB5 - 1873 - 000	130 - 3	FG2 - 9891 - 000	935 -
FB5 - 0095 - 000	400 - 10	FB5 - 1874 - 000	130 - 3	FG5 - 6413 - 000	355 -
FB5 - 0096 - 000	101 - 40	FB5 - 1877 - 000	100 - 33	FG5 - 6418 - 000	162 -
FB5 - 0097 - 000	101 - 28	FB5 - 1878 - 00S	100 - 30	FG5 - 6420 - 000	290 -
FB5 - 0099 - 000	915 - 2	FB5 - 1879 - 00S	100 - 30	FG5 - 7756 - 000	450 - 4
FB5 - 0108 - 000	400 - 11	FB5 - 1880 - 00S	100 - 34	FG5 - 7757 - 000	450 - 5
FB5 - 0120 - 000	100 - 32	FB5 - 1882 - 00S	100 - 35	FG6 - 3709 - 000	940 -
FB5 - 0122 - 000	130 - 3	FB5 - 1884 - 000	100 - 36	FG6 - 3712 - 000	250 -
FB5 - 0123 - 000	130 - 1	FF2 - 9724 - 000	230 - 3	FG6 - 3717 - 000	940 -
FB5 - 0124 - 000	130 - 2	FF2 - 9725 - 000	230 - 4	FG6 - 3718 - 000	940 -
FB5 - 0125 - 000	130 - 4	FF2 - 9726 - 000	230 - 5	FG6 - 3719 - 000	230 -
FB5 - 0126 - 000	130 - 5	FF2 - 9727 - 000	230 - 6	FG6 - 3720 - 000	810 -
FB5 - 0127 - 000	130 - 6	FF2 - 9731 - 000	450 - 3	FG6 - 3721 - 000	810 -
FB5 - 0128 - 000	130 - 7	FF2 - 9762 - 000	530 - 9	FG6 - 3722 - 000	810 - 19
FB5 - 0135 - 000	130 - 3	FF2 - 9763 - 000	530 - 10	FG6 - 3723 - 000	810 - 19
FB5 - 0136 - 000	130 - 3	FF2 - 9764 - 000	530 - 11	FG6 - 3730 - 000	530 -
FB5 - 0137 - 000	130 - 3	FF2 - 9765 - 000	530 - 12	FG6 - 3731 - 000	810 -
FB5 - 0138 - 000	130 - 3	FF2 - 9766 - 000	530 - 13	FG6 - 3733 - 000	220 -
FB5 - 0140 - 000	130 - 3	FF2 - 9779 - 000	530 - 14	FG6 - 3736 - 000	450 -
FB5 - 0141 - 00S	130 - 3	FF2 - 9787 - 000	101 - 41	FG6 - 3737 - 000	160 -
FB5 - 0142 - 00S	130 - 3	FF3 - 1070 - 000	161 - 37	FG6 - 3739 - 000	230 - 8
FB5 - 0143 - 00S	130 - 3		290 - 14	FG6 - 3749 - 000	400 -
FB5 - 0144 - 000	130 - 3	FF3 - 1071 - 000	355 - 10	FG6 - 3750 - 000	400 -
FB5 - 0145 - 000	130 - 4	FF3 - 3126 - 000	935 - 1	FG6 - 3751 - 000	450 -
FB5 - 0146 - 000	130 - 4	FF3 - 3624 - 000	910 - 1	FG6 - 3753 - 000	401 -
FB5 - 0147 - 000	130 - 4	FF3 - 3625 - 000	910 - 2	FG6 - 3754 - 000	402 -
FB5 - 0148 - 000	130 - 5	FF3 - 3626 - 000	910 - 3	FG6 - 3756 - 000	101 - 46
FB5 - 0149 - 000	130 - 5	FF3 - 3627 - 000	910 - J 205	FG6 - 3757 - 000	102 - 49
FB5 - 0150 - 000	130 - 5	FF3 - 3733 - 000	940 - 1	FG6 - 3758 - 000	102 - 49
FB5 - 0151 - 000	130 - 5	FF3 - 3734 - 000	940 - 2	FG6 - 3761 - 000	400 - 14
FB5 - 0152 - 000	130 - 5	FF3 - 3736 - 000	102 - 41	FG6 - 3762 - 000	102 - 50
FB5 - 0154 - 000	130 - 6	FF3 - 3737 - 000	101 - 42	FG6 - 3763 - 000	102 - 50
FB5 - 0155 - 000	130 - 6	FF3 - 3739 - 000	810 - 17	FG6 - 3764 - 000	102 - 50
FB5 - 0156 - 000	130 - 6	FF3 - 3740 - 000	102 - 42	FG6 - 3765 - 000	915 -
FB5 - 0159 - 000	300 - 15 A	FF3 - 3752 - 000	810 - 18	FG6 - 3766 - 000	915 -
	301 - 3 A	FF3 - 3820 - 000	101 - 43	FG6 - 3767 - 000	915 -
FB5 - 0165 - 000	300 - 1	FF3 - 3845 - 000	102 - 43	FG6 - 3769 - 000	915 -
	300 - 2	FF5 - 1673 - 000	530 - 15	FG6 - 3771 - 000	915 -
FB5 - 0168 - 000	300 - 3	FF5 - 2867 - 020	101 - 44	FG6 - 3772 - 000	915 -
FB5 - 0169 - 000	300 - 4	FF5 - 2870 - 000	530 - 16	FG6 - 3773 - 000	810 - 20
FB5 - 0170 - 000	300 - 5	FF5 - 2871 - 020	530 - 17	FG6 - 3774 - 000	930 -
FB5 - 0171 - 000	300 - 6	FF5 - 2872 - 000	102 - 44	FG6 - 3776 - 000	930 -
	300 - 7	FF5 - 2873 - 030	102 - 45	FG6 - 3777 - 000	930 -
FB5 - 0172 - 000	300 - 8	FF5 - 2875 - 000	100 - 37	FG6 - 3778 - 000	930 -
FB5 - 0173 - 000	300 - 9	FF5 - 2893 - 020	100 - 38	FG6 - 3779 - 000	930 -
	301 - 1	FF5 - 2899 - 000	401 - 6	FG6 - 3781 - 000	930 -
	302 - 1	FF5 - 2900 - 000	401 - 7	FG6 - 3782 - 000	930 -
FB5 - 0174 - 000	300 - 10	FF5 - 2901 - 000	402 - 3	FG6 - 3783 - 00S	930 -
	301 - 2	FF5 - 2902 - 000	402 - 4	FG6 - 3788 - 000	101 - 47
FB5 - 0175 - 000	300 - 11	FF5 - 3713 - 000	530 - 18	FG6 - 3789 - 000	101 - 47
FB5 - 0176 - 000	300 - 12	FF5 - 3714 - 000	102 - 46	FG6 - 3791 - 000	910 -
FB5 - 0177 - 000	300 - 13	FF5 - 3715 - 000	102 - 46	FG6 - 3792 - 000	910 -
FB5 - 0178 - 000	300 - 16 A	FF5 - 3716 - 000	101 - 45	FG6 - 4028 - 000	102 - 51
	300 - 17 A	FF5 - 3728 - 000	100 - 39	FG6 - 4030 - 000	130 -
FB5 - 0179 - 000	300 - 15 B	FF5 - 3729 - 000	100 - 39	FG6 - 4031 - 000	130 -
FB5 - 0180 - 000	300 - 14	FF5 - 3905 - 000	100 - 40	FG6 - 4032 - 000	130 -
FB5 - 0218 - 000	302 - 2	FF5 - 3922 - 000	102 - 47	FG6 - 4033 - 000	130 -
FB5 - 0219 - 000	302 - 3	FF5 - 4677 - 000	161 - 38	FG6 - 4035 - 000	130 -
FB5 - 0220 - 000	302 - 4	FF5 - 4679 - 020	161 - 39	FG6 - 4037 - 000	130 -
FB5 - 0221 - 000	302 - 5	FF5 - 4686 - 000	355 - 11	FG6 - 4038 - 00S	130 -
FB5 - 0222 - 000	302 - 6	FF5 - 6753 - 000	161 - 40	FG6 - 4039 - 00S	130 -
FB5 - 0223 - 000	302 - 7	FF5 - 6756 - 000	162 - 5	FG6 - 4040 - 000	130 -
FB5 - 0229 - 000	302 - 13 A	FF5 - 6757 - 000	162 - 6	FG6 - 4041 - 00S	130 -
FB5 - 0230 - 000	302 - 8	FF5 - 6758 - 000	162 - 7	FG6 - 4042 - 000	130 -
FB5 - 0231 - 000	302 - 13 B	FF5 - 6761 - 000	161 - 41	FG6 - 4043 - 000	130 -
FB5 - 0232 - 000	302 - 9	FF5 - 8986 - 000	400 - 12	FG6 - 4062 - 000	130 -
FB5 - 0233 - 000	302 - 10	FF5 - 8987 - 000	400 - 13	FG6 - 4063 - 000	130 -
FB5 - 0234 - 000	302 - 10	FF5 - 8991 - 000	230 - 7	FG6 - 4064 - 000	810 - 19
FB5 - 1850 - 000	130 - 7	FF5 - 8992 - 000	250 - 2	FG6 - 4065 - 000	102 - 51
FB5 - 1851 - 000	130 - 7	FF5 - 8993 - 000	100 - 26	FG6 - 4075 - 000	251 -
FB5 - 1852 - 000	130 - 7	FF5 - 9001 - 000	100 - 41	FH2 - 5276 - 030	102 - 52
FB5 - 1853 - 000	100 - 32	FF5 - 9033 - 000	300 - 15	FH2 - 5288 - 000	100 - 42
FB5 - 1854 - 000	100 - 32	FF5 - 9034 - 000	300 - 16	FH2 - 5761 - 020	102 - 53
FB5 - 1855 - 000	100 - 32	FF5 - 9035 - 000	300 - 17	FH2 - 6577 - 000	102 - 54
FB5 - 1856 - 000	100 - 32	FF5 - 9073 - 000	302 - 11	FH2 - 6578 - 000	102 - 55
FB5 - 1857 - 000	100 - 32	FF5 - 9074 - 000	302 - 12	FH2 - 6709 - 000	915 - 3
FB5 - 1859 - 000	100 - 32	FF5 - 9075 - 000	302 - 13		B - J 111
FB5 - 1860 - 000	100 - 32	FF5 - 9609 - 000	301 - 3		B - J 301
FB5 - 1861 - 00S	100 - 32	FF9 - 1505 - 000	102 - 48	FH3 - 0569 - 000	910 - T 201
FB5 - 1862 - 000	100 - 32	FF9 - 1514 - 000	100 - 20	FH3 - 0635 - 000	910 - T 600
FB5 - 1863 - 00S	100 - 32	FG2 - 7467 - 000	161 - 42	FH3 - 0636 - 000	910 - T 600
FB5 - 1864 - 000	100 - 32	FG2 - 7468 - 000	290 - 15	FH3 - 0665 - 000	910 - T 104
FB5 - 1866 - 00S	100 - 32	FG2 - 7469 - 000	161 - 43	FH3 - 0666 - 000	910 - T 104
FB5 - 1868 - 000	130 - 3	FG2 - 7470 - 000	161 - 44	FH3 - 0667 - 000	910 - T 103
FB5 - 1869 - 000	130 - 3	FG2 - 7471 - 000	161 - 45	FH3 - 0668 - 000	910 - T 105

D NUMERICAL INDEX

PART NUMBER	FIGURE & KEY NO.	PART NUMBER	FIGURE & KEY NO.	PART NUMBER	FIGURE & KEY NO.
FH3 - 0734 - 000	910 - T 3 0 2	FS5 - 6453 - 000	161 - 4 8	VS1 - 0842 - 003	B - J 1 1 3
FH3 - 0856 - 000	910 - T 5 0 8	FS5 - 6454 - 000	161 - 4 9		B - J 2 0 1
FH3 - 0911 - 000	910 - T 1 0 1	FS5 - 6455 - 000	161 - 5 0		B - J 2 0 2
FH3 - 0912 - 00S	910 - T 1 0 1		355 - 1 7		B - J 3 0 1
FH3 - 7170 - 000	910 - L 6 0 0	FS5 - 9362 - 000	290 - 2 2	VS1 - 0842 - 004	B - J 1 0 7
FH3 - 7184 - 000	910 - L 1 0 1	FS6 - 0617 - 000	290 - 2 3		B - J 6 0 1
FH3 - 7195 - 000	910 - L 6 0 0	FS6 - 0618 - 000	290 - 2 4		B - J 9 0 1
FH4 - 1364 - 000	930 - Q 1 0 1	FS6 - 0619 - 000	290 - 2 5	VS1 - 0842 - 005	B - J 1 0 3
FH4 - 6070 - 000	910 - H I C 0 0 1	FS6 - 0620 - 000	290 - 2 6		B - J 1 0 8
FH4 - 9157 - 000	910 - R 2 0 3	FS6 - 0622 - 000	290 - 2 7		B - J 1 3 2
FH4 - 9183 - 000	910 - R 2 2 5	FS6 - 2270 - 000	100 - 4 6		B - J 7 5 1
FH4 - 9184 - 000	910 - R 2 4 3	FS6 - 2369 - 000	161 - 5 1	VS1 - 0842 - 006	B - J 5 1
FH6 - 1079 - 000	220 - 7	FS6 - 2370 - 000	161 - 5 2		B - J 1 0 5
FH6 - 1237 - 000	290 - 1 6	FS6 - 2371 - 000	161 - 5 3	VS1 - 0842 - 007	B - J 3
FH6 - 1238 - 000	290 - 1 7	FS6 - 2373 - 000	161 - 5 4		B - J 1 0 4
FH6 - 1679 - 000	101 - 4 8	FS6 - 2374 - 000	161 - 5 5		B - J 2 0 4
FH7 - 3380 - 000	400 - 1 5	FS6 - 2375 - 000	355 - 1 8	VS1 - 0842 - 008	B - J 2
FH7 - 3381 - 000	400 - 1 5	FS6 - 5517 - 000	290 - 2 8		B - J 6 0
FH7 - 5565 - 030	220 - 8	FS6 - 8089 - 000	161 - 5 6		B - J 1 0 3
FH7 - 5631 - 000	102 - 5 6	FS6 - 8091 - 000	161 - 4 0 B		B - J 1 1 4
FH7 - 5893 - 000	102 - 5 7	FS6 - 8196 - 000	162 - 6 B		B - J 2 0 3
FH7 - 5967 - 000	102 - 5 8	FS6 - 8197 - 000	162 - 7 A	VS1 - 0842 - 009	B - J 5
FH7 - 6197 - 000	910 - R L 6 0 1	FS6 - 8948 - 000	161 - 5 7		B - J 6 2
FH7 - 6216 - 000	102 - 5 9	FS6 - 8949 - 000	161 - 5 8		B - J 1 0 2
FH7 - 7510 - 000	101 - 4 9	FS6 - 8950 - 000	162 - 7 B	VS1 - 0842 - 011	B - J 1 0 9
FH7 - 7511 - 000	400 - 1 6	FS7 - 0340 - 000	290 - 2 9	VS1 - 0852 - 003	B - J 2 0 3
FH7 - 9220 - 000	910 - L 0 0 1	FS7 - 0341 - 000	290 - 3 0	VS1 - 5057 - 002	102 - 4 9 A
FH7 - 9315 - 000	102 - 6 0	FS7 - 0427 - 000	810 - 2 1		102 - 8 8
FH9 - 0367 - 000	910 - R 2 5 4	FS7 - 0428 - 000	810 - 2 2		102 - 8 9
FN5 - 4143 - 000	400 - 1 7	FS7 - 0429 - 000	810 - 2 3		220 - 1 4
FN5 - 4144 - 000	401 - 8	FS7 - 0430 - 000	250 - 3		B - J 5 2
FN5 - 4145 - 000	402 - 5	FS7 - 0431 - 000	102 - 7 5		B - J 5 3
FN5 - 4146 - 000	101 - 5 0	FS7 - 0432 - 000	102 - 7 6		B - J 5 4
FN5 - 4148 - 000	450 - 6	FS7 - 0433 - 000	102 - 7 7		B - J 5 8
FS1 - 1190 - 000	161 - 4 6	FS7 - 0434 - 000	102 - 7 8	VS1 - 5057 - 003	102 - 9 0
	290 - 1 8	FS7 - 0435 - 000	102 - 7 9		B - J 5 5
FS1 - 1205 - 000	355 - 1 2	FS7 - 0436 - 000	102 - 8 0	VS1 - 5057 - 004	101 - 4 7 A
FS1 - 1213 - 000	290 - 1 9	FS7 - 0437 - 000	102 - 7 5		B - J 6 0 1
FS1 - 1341 - 000	355 - 1 3	FS7 - 0438 - 000	102 - 8 1	VS1 - 5057 - 006	161 - 4 4 A
FS1 - 1422 - 000	355 - 1 4	FS7 - 0439 - 000	102 - 8 1		220 - 1 5
FS5 - 0883 - 000	102 - 6 1	FS7 - 0443 - 000	230 - 1 2		B - J 5 1
FS5 - 0885 - 000	102 - 6 2	FS7 - 0444 - 000	230 - 1 3		B - J 1 0 5
FS5 - 0894 - 000	251 - 3	FS7 - 0446 - 000	810 - 2 4	VS1 - 5057 - 008	101 - 4 7 C
FS5 - 0895 - 000	251 - 4	FS7 - 0457 - 000	300 - 1 8		B - J 6 0
FS5 - 0896 - 000	251 - 5	FS7 - 0602 - 000	290 - 3 1	VS1 - 5057 - 009	810 - 3 1
FS5 - 0897 - 000	251 - 6	FS7 - 0603 - 000	290 - 3 2		B - J 6 2
FS5 - 0898 - 000	101 - 5 1	FS7 - 0604 - 000	290 - 3 3	VS1 - 5824 - 002	B - J 1 0 6
FS5 - 0905 - 000	230 - 9	FS7 - 2181 - 000	810 - 2 5		B - J 6 0 1
FS5 - 0913 - 030	102 - 6 3	FS7 - 2183 - 000	102 - 8 2		B - J 6 0 2
FS5 - 0917 - 000	220 - 9	FS7 - 2184 - 000	102 - 8 3	VS1 - 5824 - 003	B - J 6 1
FS5 - 0918 - 000	220 - 1 0	FS7 - 2185 - 000	102 - 8 4	VS1 - 5824 - 009	B - J 6 2
FS5 - 0919 - 000	220 - 1 1	FS7 - 2186 - 000	102 - 8 5	VS1 - 5976 - 004	B - J 2 0 5
FS5 - 1438 - 000	102 - 6 4	FS7 - 2189 - 000	810 - 2 6	VS1 - 6023 - 002	B - J 3 0 2
	290 - 2 0	FS7 - 2190 - 000	102 - 8 6		B - J 3 0 3
FS5 - 1439 - 000	220 - 1 2	FS7 - 2201 - 000	300 - 1 9	VS3 - 0108 - 004	B - J 2 4
FS5 - 1440 - 000	102 - 6 5		301 - 4	VS3 - 5083 - 002	B - J 6
FS5 - 2335 - 000	530 - 1 7 A	FS7 - 2202 - 000	300 - 2 0	VS3 - 5083 - 003	B - J 9 1 0
FS5 - 2767 - 000	102 - 6 6		301 - 5	VS3 - 5083 - 004	B - J 1
FS5 - 2769 - 000	100 - 4 3	FS7 - 2211 - 000	302 - 1 4	VS3 - 5083 - 006	B - J 2 0 2
FS5 - 2770 - 000	100 - 4 4	RB1 - 8806 - 000	810 - 2 7	VS3 - 5116 - 002	B - J 4 3 4
FS5 - 2771 - 000	102 - 6 7	RH2 - 5015 - 050	102 - 8 7	VS3 - 5117 - 002	B - J 4 3 4
FS5 - 2772 - 000	102 - 6 8	RH2 - 5279 - 000	B - J 1 6	WD9 - 5001 - 000	910 - F C 1
FS5 - 2773 - 000	102 - 6 9	RH2 - 5281 - 000	B - J 4 3 3		910 - F C 2
FS5 - 2774 - 000	530 - 1 9	RH2 - 5316 - 000	B - J 1 6	WD9 - 5052 - 000	940 - 3
FS5 - 2775 - 000	251 - 7	RH2 - 5317 - 000	B - J 4 3 3	WD9 - 5097 - 000	940 - 3
FS5 - 2776 - 000	100 - 4 5	RS5 - 0922 - 000	810 - 2 8	WE8 - 0027 - 000	102 - 9 1
FS5 - 2783 - 000	102 - 7 0	RS5 - 1297 - 000	810 - 2 9	WE8 - 0054 - 000	102 - 5 0 A
FS5 - 2784 - 000	530 - 2 0	RS5 - 1310 - 000	810 - 3 0	WE8 - 0098 - 000	161 - 4 2 B
FS5 - 2785 - 000	230 - 1 0	VD7 - 0215 - 001	910 - F U 1 0 2	WE8 - 5705 - 000	102 - 5 0 B
FS5 - 2787 - 000	450 - 7	VD7 - 0642 - 501	910 - F U 1 0 2		102 - 9 1
FS5 - 2788 - 000	450 - 8	VD7 - 0646 - 301	940 - F U 5 0 1	WG1 - 5610 - 000	915 - L E D 3 0 1
FS5 - 2790 - 000	450 - 9	VD7 - 1624 - 000	930 - R 3 9 9		915 - L E D 3 0 2
FS5 - 2802 - 000	101 - 5 2	VD7 - 1731 - 502	940 - F U 5 0 1		915 - L E D 3 0 3
FS5 - 2803 - 020	101 - 5 3	VS1 - 0279 - 004	B - J 2 4		915 - L E D 3 0 4
FS5 - 2804 - 000	102 - 7 1	VS1 - 0279 - 006	B - J 1 0 5		915 - L E D 3 0 5
FS5 - 2805 - 000	102 - 7 2	VS1 - 0842 - 002	B - J 5 2		915 - L E D 3 0 6
FS5 - 2806 - 000	102 - 7 3		B - J 5 3		915 - L E D 3 0 8
	102 - 7 4		B - J 5 4		915 - L E D 3 1 0
FS5 - 2821 - 000	220 - 1 3		B - J 5 8		915 - L E D 3 1 1
FS5 - 3458 - 000	161 - 4 7		B - J 1 0 4		915 - L E D 3 1 2
FS5 - 3459 - 000	355 - 1 5	VS1 - 0842 - 003	B - J 5 5		915 - L E D 3 1 8
FS5 - 3460 - 000	355 - 1 6		B - J 5 6		915 - L E D 3 1 9
FS5 - 3462 - 000	290 - 2 1		B - J 5 7		915 - L E D 3 2 0
FS5 - 6288 - 000	101 - 5 4		B - J 5 9	WG1 - 5611 - 000	915 - L E D 3 0 7
FS5 - 6393 - 000	230 - 1 1		B - J 1 0 1		915 - L E D 3 1 6

D NUMERICAL INDEX

PART NUMBER	FIGURE & KEY NO.	PART NUMBER	FIGURE & KEY NO.	PART NUMBER	FIGURE & KEY NO.
WG1 - 5611 - 000	915 - LED3 17 915 - LED3 21	XB1 - 2300 - 609	355 - 501 400 - 501	XF9 - 0562 - 000 XG9 - 0237 - 000	355 - 20 161 - 69
WG2 - 5185 - 000	915 - LED3 15		402 - 501		
WG8 - 5187 - 000	101 - 55	XB1 - 2300 - 809	530 - 502 530 - 503		
WG8 - 5206 - 010	161 - 59		810 - 502		
WG8 - 5309 - 000	161 - 60		102 - 504		
WG8 - 5362 - 000	101 - 56 101 - 57 102 - 92		302 - 501 402 - 502		
WG8 - 5382 - 000	810 - 32		161 - 501		
WS3 - 0437 - 000	B - J105		161 - 502		
WS3 - 0885 - 000	B - J24		161 - 503		
WS3 - 5160 - 000	B - J1 B - J6 B - J202 B - J910		162 - 501 230 - 502 290 - 502 355 - 502		
WS3 - 5174 - 000	B - J201		290 - 503		
	B - J207		161 - 504		
	B - J434	101 - 502			
	B - J501	102 - 505 102 - 506			
WS3 - 5175 - 000	B - J502	102 - 507			
	B - J201	810 - 503			
	B - J501	102 - 508			
	B - J502	102 - 509			
WS3 - 5354 - 000 WS3 - 5358 - 000	B - J434	102 - 510			
	B - J61	102 - 511			
	B - J62	102 - 512			
	B - J106	400 - 502			
WS4 - 0181 - 000 WT2 - 5041 - 000	B - J601	810 - 504			
	B - J602	101 - 503			
	B - J24	100 - 501			
	101 - 47B 101 - 58 101 - 59 102 - 93 161 - 61	302 - 502 100 - 502 530 - 504 810 - 505 810 - 506			
X71 - 7503 - 000	450 - 3A	101 - 504			
	300 - 21	101 - 505			
	300 - 22	102 - 513			
	101 - 60	401 - 501			
XA9 - 0187 - 000	220 - 16	530 - 505			
XA9 - 0591 - 000	102 - 94	102 - 514			
	102 - 95	401 - 502			
XA9 - 0605 - 000	161 - 62	402 - 503			
	161 - 63	530 - 506			
	290 - 34	161 - 505			
	161 - 64	101 - 506			
XA9 - 0632 - 000	161 - 65	101 - 507			
	161 - 66	102 - 515			
	161 - 67	300 - 501			
	355 - 19	301 - 501			
XA9 - 0650 - 000	101 - 61	302 - 503			
XA9 - 0760 - 000	100 - 47	230 - 503			
	101 - 62	102 - 516			
	102 - 96	161 - 506			
	220 - 17	401 - 503			
	230 - 14	300 - 502			
	230 - 15	401 - 504			
	230 - 16	530 - 507			
	100 - 48	161 - 507			
	101 - 63	355 - 503			
	230 - 16	290 - 504			
XA9 - 0762 - 000	102 - 97	290 - 505			
	102 - 98	355 - 504			
	102 - 99	161 - 508			
	102 - 100	355 - 505			
XA9 - 0794 - 000	101 - 64	300 - 503			
XA9 - 0813 - 000	101 - 65	290 - 506			
XA9 - 0903 - 000	302 - 15	161 - 509			
XA9 - 0911 - 000	400 - 18	102 - 517			
	401 - 9	251 - 501			
	402 - 6	101 - 508			
	100 - 49	161 - 510			
XA9 - 0975 - 000 XA9 - 0976 - 000	102 - 101	102 - 518			
	161 - 68	290 - 507			
	290 - 501	290 - 508			
XB1 - 2260 - 309 XB1 - 2300 - 409	102 - 501	102 - 102			
	102 - 502	102 - 103			
	220 - 501	101 - 66			
	810 - 501	102 - 104			
XB1 - 2300 - 509 XB1 - 2300 - 607 XB1 - 2300 - 609	102 - 503	220 - 18			
	530 - 501	250 - 4			
	101 - 501	401 - 10			
	230 - 501	290 - 35			
		XF9 - 0350 - 000			

Prepared by
OFFICE IMAGING PRODUCTS TECHNICAL SUPPORT DIV.

CANON INC.
Printed in Japan

REVISION 0 [AUG. 1999]

5-1, Hakusan 7-chome, Toride-city, Ibaraki 302-8501, Japan

Canon