

MODEL: FC204S/208/224S/228/260/280

No.: FC220-004

(FF-T01-G3-000012-01)

Date: 29.03.02

LOCATION: INTRODUCTION OF NEW PRODUCTS**SUBJECT: FC204S/208/224S/228/260/280**

Reason: At the launch of FC204S/208/224S/228/260/280, this bulletin notifies of the points on which these color change models of FC200S/220S differ from the existing models.

Detail:

1. Differences in specifications

There is no difference of specifications between FC204S/208/224S/228/260/280 and FC200S/220S.

2. Product code/Serial number/Power supply

For AMS/UK fields

FC204S:	7239A015AA / UUQ00001 and later / AMS/230V	Blue
FC204S:	7239A016AA / QTG00001 and later / UK/230V	Blue
FC260:	7239A018AA / UUR00001 and later / AMS/230V	Cool white
FC224S:	7239A019AA / UUS00001 and later / AMS/230V	Blue
FC224S:	7239A020AA / QTH00001 and later / UK/230V	Blue

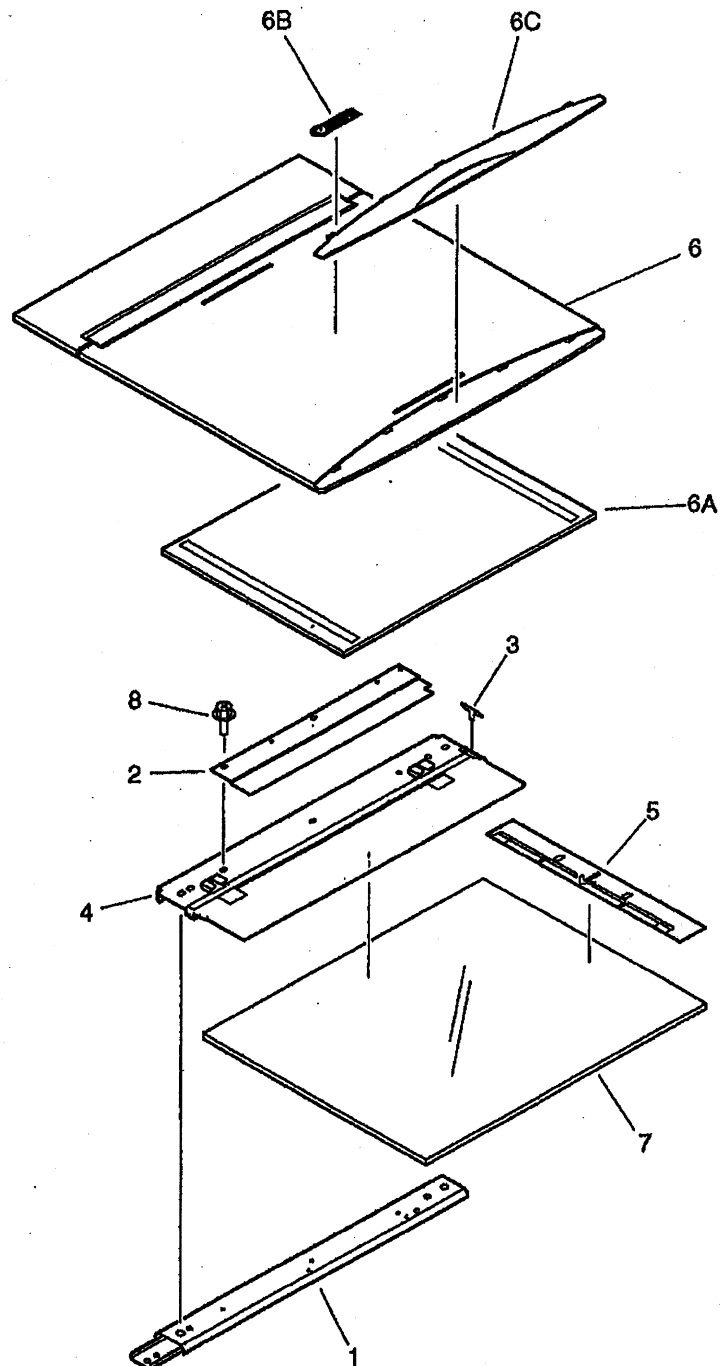
For Swiss fields

FC280:	7239A022AA / UUT00001 and later / Swiss/230V	Cool white
--------	----------------------------------------------	------------

For Russia fields

FC208:	7239A017AA / TTE00001 and later / Russia/230V	Blue
FC228:	7239A021AA / TTF00001 and later / Russia/230V	Blue

FIGURE 160 COPYBOARD COVER ASSEMBLY
 (FC220, PC420, FC200, PC400)
 原稿台カバー部
 (FC220, PC420, FC200, PC400)



NOTE: This assembly does not include the parts shown with key No. 6, 6A, 6B and 6C.
 注: このユニットにKey No. 6、6A、6B、6Cの部品は含まれません。

3. Points to Note for Servicing

- For information on servicing, see the Service Manual (FY8-13F2-000) for the FC200/220.
- For the differences in service parts, see the tables that follow. For other service parts, refer to the FC200/220 Parts Catalog (FY8-31DD-000) and Service Bulletin FC220-002 Rev. 2.

4. Service Parts

See the following table for differences.

FC204S Blue destined for AMS/UK fields

FIGURE & KEY No.	F14-1092 (FC204)	F14-3792 (FC204S)	Q'ty	Description
	Part number	Part number		
100A-2	FB1-9224-000	FB6-4392-000	1	PLATE, BLANKING, FRONT
100A-3	FB1-9225-000	FB6-4393-000	1	PLATE, BLANKING, REAR
100A-8	FB5-8507-000	FB6-4396-000	1	TRAY, PAPER DELIVERY
100A-9	FB5-8511-000	FB6-4397-000	1	TRAY, SUB
100A-11	FG6-7165-000	FG6-7645-000	1	UPPER COVER UNIT
101-16	FF5-6438-000	FF5-6487-000	1	COVER, UPPER BODY
102A-11	FB2-9579-000	FB6-4419-000	1	GRIP
102A-19	FB5-8526-000	FB6-4360-000	1	TRAY, MANUAL PAPER FEED
102A-28	FF5-6412-000	FF5-6489-000	1	COVER, PCB UNIT
130A	FG6-7170-000	FG6-7643-000	1	CONTROL PANEL ASSEMBLY
160-6	FF5-6408-000	FF5-6485-000	1	COVER, COPYBOARD
160-6B	_	FB6-4380-000	1	PLATE, CANON LOGO
160-6C	_	FB6-4355-000	1	PLATE, PRODUCT LOGO
370	FG5-9613-000	FG6-9377-000	1	DELIVERY COVER ASSEMBLY

FC224S Blue destined for AMS/UK fields

FIGURE & KEY No.	F14-1192 (FC224)	F14-3892 (FC224S)	Q'ty	Description
	Part number	Part number		
100-2	FB1-9224-000	FB6-4392-000	1	PLATE, BLANKING, FRONT
100-3	FB1-9225-000	FB6-4393-000	1	PLATE, BLANKING, REAR
100-4	FB5-8503-000	FB6-4404-000	1	TRAY, MANUAL PAPER FEED
100-8	FB4-0288-000	FB6-4407-000	1	DIAL, DENSITY CONTROL
100-11	FB5-8507-000	FB6-4396-000	1	TRAY, PAPER DELIVERY
100-12	FB5-8511-000	FB6-4397-000	1	TRAY, SUB
100-13	FB5-8511-000	FB6-4397-000	1	TRAY, SUB
100-16	FG6-7140-000	FG6-9383-000	1	UPPER COVER UNIT
101-16	FF5-6416-000	FF5-6509-000	1	COVER, UPPER BODY
102-11	FB2-9579-000	FB6-4419-000	1	GRIP
102-29	FF5-6412-000	FF5-6489-000	1	COVER, PCB UNIT
130	FG6-7146-000	FG6-7638-000	1	CONTROL PANEL ASSEMBLY
160-6	FF5-6408-000	FF5-6505-000	1	COVER, COPYBOARD
160-6B	-	FB6-4380-000	1	PLATE, CANON LOGO
160-6C	-	FB6-4388-000	1	PLATE, PRODUCT LOGO
370	FG5-9613-000	FG6-9377-000	1	DELIVERY COVER ASSEMBLY

FC260 Cool white destined for AMS fields

FIGURE & KEY No.	F14-1092 (FC204)	F14-3791 (FC260)	Q'ty	Description
	Part number	Part number		
100A-2	FB1-9224-000	FB1-7462-000	1	PLATE, BLANKING, FRONT
100A-3	FB1-9225-000	FB1-7463-000	1	PLATE, BLANKING, REAR
100A-8	FB5-8507-000	FB6-4394-000	1	TRAY, PAPER DELIVERY
100A-9	FB5-8511-000	FB6-4395-000	1	TRAY, SUB
100A-11	FG6-7165-000	FG6-7646-000	1	UPPER COVER UNIT
101-16	FF5-6438-000	FF5-6437-000	1	COVER, UPPER BODY
102A-11	FB2-9579-000	FB2-9571-000	1	GRIP
102A-19	FB5-8526-000	FB6-4359-000	1	TRAY, MANUAL PAPER FEED
102A-28	FF5-6412-000	FF5-6411-000	1	COVER, PCB UNIT
130A	FG6-7170-000	FG6-7169-000	1	CONTROL PANEL ASSEMBLY
130A-2	FB5-8530-000	FB5-8529-000	1	LEVER, DENSITY CONTROL 1
130A-3	FB4-0261-000	FB4-0259-000	1	LEVER, DENSITY CONTROL 2
160-6	FF5-6408-000	FF5-6482-000	1	COVER, COPYBOARD
160-6B	—	FB6-4379-000	1	PLATE, CANON LOGO
160-6C	—	FB6-4352-000	1	PLATE, PRODUCT LOGO
370	FG5-9613-000	FG5-9612-000	1	DELIVERY COVER ASSEMBLY

FC280 Cool white destined for Swiss fields

FIGURE & KEY No.	F14-1192 (FC224)	F14-3884 (FC280)	Q'ty	Description
	Part number	Part number		
100-2	FB1-9224-000	FB1-7462-000	1	PLATE, BLANKING, FRONT
100-3	FB1-9225-000	FB1-7463-000	1	PLATE, BLANKING, REAR
100-4	FB5-8503-000	FB6-4400-000	1	TRAY, MANUAL PAPER FEED
100-8	FB4-0288-000	FB4-0287-000	1	DIAL, DENSITY CONTROL
100-11	FB5-8507-000	FB6-4394-000	1	TRAY, PAPER DELIVERY
100-12	FB5-8511-000	FB6-4395-000	1	TRAY, SUB
100-13	FB5-8511-000	FB6-4395-000	1	TRAY, SUB
100-16	FG6-7140-000	FG6-9384-000	1	UPPER COVER UNIT
101-16	FF5-6416-000	FF5-6415-000	1	COVER, UPPER BODY
102-11	FB2-9579-000	FB2-9571-000	1	GRIP
102-29	FF5-6412-000	FF5-6411-000	1	COVER, PCB UNIT
130	FG6-7146-000	FG6-7145-000	1	CONTROL PANEL ASSEMBLY
160-6	FF5-6408-000	FF5-6502-000	1	COVER, COPYBOARD
160-6B	-	FB6-4379-000	1	PLATE, CANON LOGO
160-6C	-	FB6-4385-000	1	PLATE, PRODUCT LOGO
370	FG5-9613-000	FG6-9612-000	1	DELIVERY COVER ASSEMBLY

FC208 Blue destined for Russia fields

FIGURE & KEY No.	F14-1070 (FC206)	F14-3770 (FC208)	Q'ty	Description
	Part number	Part number		
100A-2	FB1-9224-000	FB6-4392-000	1	PLATE, BLANKING, FRONT
100A-3	FB1-9225-000	FB6-4393-000	1	PLATE, BLANKING, REAR
100A-8	FB5-8507-000	FB6-4396-000	1	TRAY, PAPER DELIVERY
100A-9	FB5-8511-000	FB6-4397-000	1	TRAY, SUB
100A-11	FG6-7167-000	FG6-7645-000	1	UPPER COVER UNIT
101-16	FF5-6438-000	FF5-6487-000	1	COVER, UPPER BODY
102A-11	FB2-9579-000	FB6-4419-000	1	GRIP
102A-19	FB5-8526-000	FB6-4360-000	1	TRAY, MANUAL PAPER FEED
102A-28	FF5-6412-000	FF5-6489-000	1	COVER, PCB UNIT
130A	FG6-7170-000	FG6-7643-000	1	CONTROL PANEL ASSEMBLY
160-6	FF5-6408-000	FF5-6484-000	1	COVER, COPYBOARD
160-6B	_	FB6-4379-000	1	PLATE, CANON LOGO
160-6C	_	FB6-4385-000	1	PLATE, PRODUCT LOGO
370	FG5-9613-000	FG6-9377-000	1	DELIVERY COVER ASSEMBLY

FC228 Blue destined for Russia fields

FIGURE & KEY No.	F14-1170 (FC226)	F14-3870 (FC228)	Q'ty	Description
	Part number	Part number		
100-2	FB1-9224-000	FB6-4392-000	1	PLATE, BLANKING, FRONT
100-3	FB1-9225-000	FB6-4393-000	1	PLATE, BLANKING, REAR
100-4	FB5-8503-000	FB6-4404-000	1	TRAY, MANUAL PAPER FEED
100-8	FB4-0288-000	FB6-4407-000	1	DIAL, DENSITY CONTROL
100-11	FB5-8507-000	FB6-4396-000	1	TRAY, PAPER DELIVERY
100-12	FB5-8511-000	FB6-4397-000	1	TRAY, SUB
100-13	FB5-8511-000	FB6-4397-000	1	TRAY, SUB
100-16	FG6-7143-000	FG6-9385-000	1	UPPER COVER UNIT
101-16	FF5-6416-000	FF5-6509-000	1	COVER, UPPER BODY
102-11	FB2-9579-000	FB6-4419-000	1	GRIP
102-29	FF5-6412-000	FF5-6489-000	1	COVER, PCB UNIT
130	FG6-7146-000	FG6-7638-000	1	CONTROL PANEL ASSEMBLY
160-6	FF5-6408-000	FF5-6506-000	1	COVER, COPYBOARD
160-6B	_	FB6-4380-000	1	PLATE, CANON LOGO
160-6C	_	FB6-4389-000	1	PLATE, PRODUCT LOGO
370	FG5-9613-000	FG6-9377-000	1	DELIVERY COVER ASSEMBLY